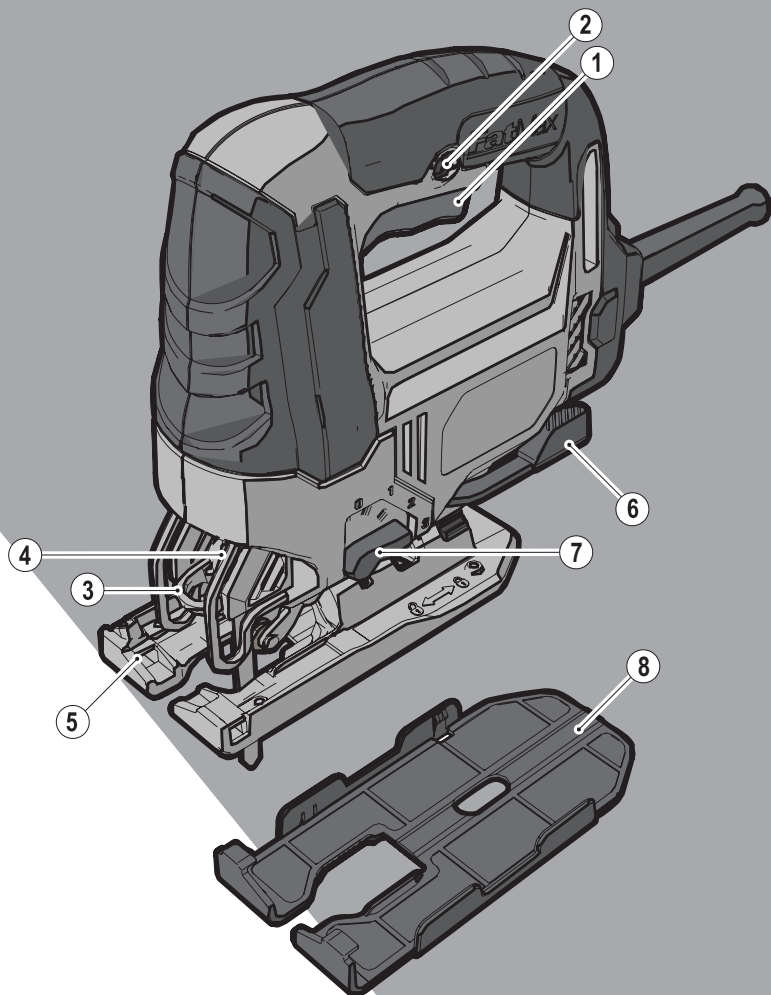


STANLEY®

FATMAX®



www.stanley.eu

FME340

EN

DE

FR

IT

NL

ES

PT

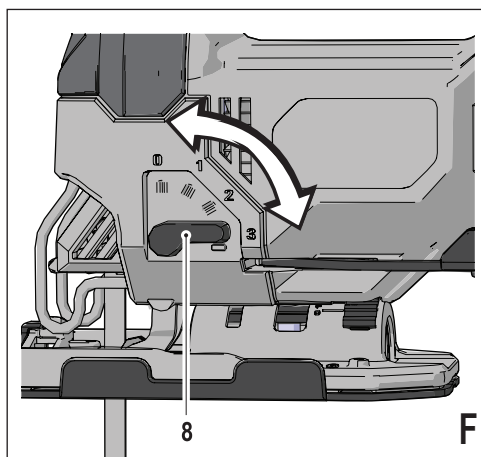
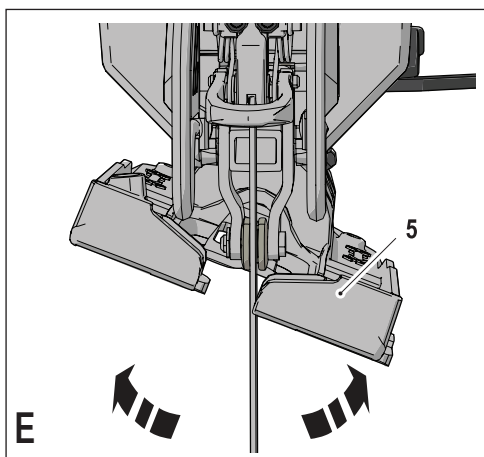
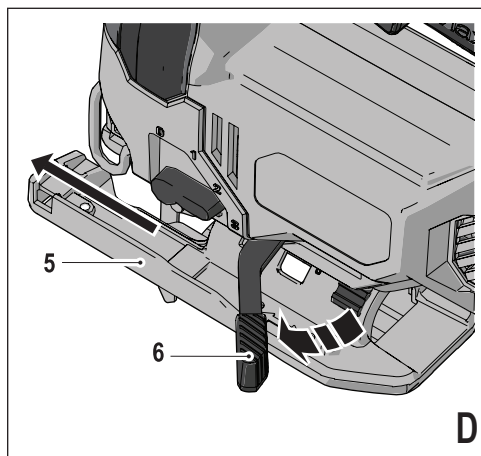
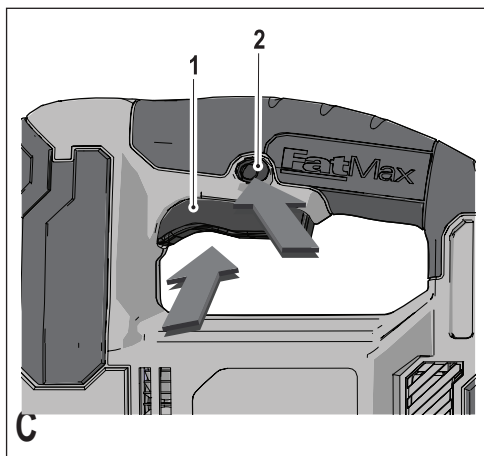
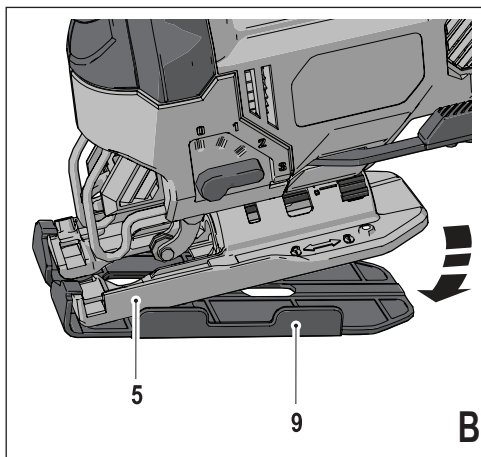
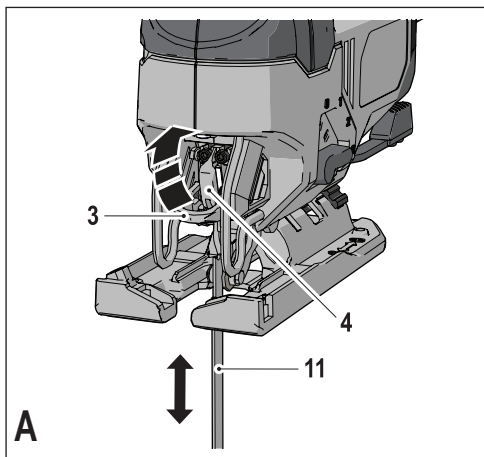
SV

NO

DK

FI

EL



Intended use

Your Stanley Fat Max jigsaw has been designed for sawing wood, plastics and sheet metal. This tool is intended for professional and private, non professional users.

Safety instructions

General power tool safety warnings



Warning! Read all safety warnings and all instructions. Failure to follow the warnings and instructions listed below may result in electric shock, fire and/or serious injury.

Save all warnings and instructions for future reference.

The term "power tool" in all of the warnings listed below refers to your mains operated (corded) power tool or battery operated (cordless) power tool.

1. Work area safety

- a. **Keep work area clean and well lit.** Cluttered or dark areas invite accidents.
- b. **Do not operate power tools in explosive atmospheres, such as in the presence of flammable liquids, gases or dust.** Power tools create sparks which may ignite the dust or fumes.
- c. **Keep children and bystanders away while operating a power tool.** Distractions can cause you to lose control.

2. Electrical safety

- a. **Power tool plugs must match the outlet. Never modify the plug in any way. Do not use any adapter plugs with earthed (grounded) power tools.** Unmodified plugs and matching outlets will reduce risk of electric shock.
- b. **Avoid body contact with earthed or grounded surfaces such as pipes, radiators, ranges and refrigerators.** There is an increased risk of electric shock if your body is earthed or grounded.
- c. **Do not expose power tools to rain or wet conditions.** Water entering a power tool will increase the risk of electric shock.
- d. **Do not abuse the cord. Never use the cord for carrying, pulling or unplugging the power tool. Keep cord away from heat, oil, sharp edges or moving parts.** Damaged or entangled cords increase the risk of electric shock.
- e. **When operating a power tool outdoors, use an extension cord suitable for outdoor use.** Use of a cord suitable for outdoor use reduces the risk of electric shock.
- f. **If operating a power tool in a damp location is unavoidable, use a residual current device (RCD) protected supply.** Use of an RCD reduces the risk of electric shock.

3. Personal safety

- a. **Stay alert, watch what you are doing and use common sense when operating a power tool. Do not use a power tool while you are tired or under the influence of drugs, alcohol or medication.** A moment of inattention while operating power tools may result in serious personal injury.
 - b. **Use personal protective equipment. Always wear eye protection.** Protective equipment such as dust mask, non-skid safety shoes, hard hat, or hearing protection used for appropriate conditions will reduce personal injuries.
 - c. **Prevent unintentional starting. Ensure the switch is in the off-position before connecting to power source and/or battery pack, picking up or carrying the tool.** Carrying power tools with your finger on the switch or energising power tools that have the switch on invites accidents.
 - d. **Remove any adjusting key or wrench before turning the power tool on.** A wrench or a key left attached to a rotating part of the power tool may result in personal injury.
 - e. **Do not overreach. Keep proper footing and balance at all times.** This enables better control of the power tool in unexpected situations.
 - f. **Dress properly. Do not wear loose clothing or jewellery. Keep your hair, clothing and gloves away from moving parts.** Loose clothes, jewellery or long hair can be caught in moving parts.
 - g. **If devices are provided for the connection of dust extraction and collection facilities, ensure these are connected and properly used.** Use of dust collection can reduce dust-related hazards.
- #### 4. Power tool use and care
- a. **Do not force the power tool. Use the correct power tool for your application.** The correct power tool will do the job better and safer at the rate for which it was designed.
 - b. **Do not use the power tool if the switch does not turn it on and off.** Any power tool that cannot be controlled with the switch is dangerous and must be repaired.
 - c. **Disconnect the plug from the power source and/or the battery pack from the power tool before making any adjustments, changing accessories, or storing power tools.** Such preventive safety measures reduce the risk of starting the power tool accidentally.
 - d. **Store idle power tools out of the reach of children and do not allow persons unfamiliar with the power tool or these instructions to operate the power tool.** Power tools are dangerous in the hands of untrained users.

- e. **Maintain power tools. Check for misalignment or binding of moving parts, breakage of parts and any other condition that may affect the power tools operation. If damaged, have the power tool repaired before use.** Many accidents are caused by poorly maintained power tools.
- f. **Keep cutting tools sharp and clean.** Properly maintained cutting tools with sharp cutting edges are less likely to bind and are easier to control.
- g. **Use the power tool, accessories and tool bits etc. in accordance with these instructions, taking into account the working conditions and the work to be performed.** Use of the power tool for operations different from those intended could result in a hazardous situation.
5. **Service**
- a. **Have your power tool serviced by a qualified repair person using only identical replacement parts.** This will ensure that the safety of the power tool is maintained.

Additional power tool safety warnings



Warning! Additional safety warnings for jigsaws and reciprocating saws

- ◆ **Hold power tool by insulated gripping surfaces, when performing an operation where the cutting accessory may contact hidden wiring or its own cord.** Cutting accessory contacting a "live" wire may make exposed metal parts of the power tool "live" and could give the operator an electric shock.
- ◆ **Use clamps or another practical way to secure and support the workpiece to a stable platform.** Holding the work by hand or against your body leaves it unstable and may lead to loss of control.
- ◆ **Keep hands away from cutting area.** Never reach underneath the work piece any reason. Do not insert fingers or thumb into the vicinity of the reciprocating blade and blade clamp. Do not stabilize the saw by gripping the shoe.
- ◆ **Keep blades sharp.** Dull or damaged blades may cause the saw to swerve or stall under pressure. Always use the appropriate type of saw blade for the workpiece material and type of cut.
- ◆ **When cutting pipe or conduit, make sure that they are free from water, electrical wiring, etc.**
- ◆ **Do not touch the workpiece or the blade immediately after operating the tool.** They can become very hot.
- ◆ **Be aware of hidden hazards, before cutting into walls, floors or ceilings, check for the location of wiring and pipes.**
- ◆ **The blade will continue to move after releasing the switch.**

Always switch the tool off and wait for the saw blade to come to a complete standstill before putting the tool down.

Warning! Contact with, or inhalation of dusts arising from cutting applications may endanger the health of the operator and possible bystanders. Wear a dust mask specifically designed for protection against dust and fumes and ensure that persons within or entering the work area are also protected.

- ◆ The intended use is described in this instruction manual. The use of any accessory or attachment or performance of any operation with this tool other than those recommended in this instruction manual may present a risk of personal injury and/or damage to property.

Safety of others

- ◆ This tool is not intended for use by persons (including children) with reduced physical, sensory or mental capabilities, or lack of experience and knowledge, unless they have been given supervision or instruction concerning use of the appliance by a person responsible for their safety.
- ◆ Children should be supervised to ensure that they do not play with the appliance.

Residual risks.

Additional residual risks may arise when using the tool which may not be included in the enclosed safety warnings. These risks can arise from misuse, prolonged use etc.

Even with the application of the relevant safety regulations and the implementation of safety devices, certain residual risks can not be avoided. These include:

- ◆ Injuries caused by touching any rotating/moving parts.
- ◆ Injuries caused when changing any parts, blades or accessories.
- ◆ Injuries caused by prolonged use of a tool. When using any tool for prolonged periods ensure you take regular breaks.
- ◆ Impairment of hearing.
- ◆ Health hazards caused by breathing dust developed when using your tool (example:- working with wood, especially oak, beech and MDF.)

Vibration

The declared vibration emission values stated in the technical data and the declaration of conformity have been measured in accordance with a standard test method provided by EN 60745 and may be used for comparing one tool with another. The declared vibration emission value may also be used in a preliminary assessment of exposure.

Warning! The vibration emission value during actual use of the power tool can differ from the declared value depending on the ways in which the tool is used. The vibration level may increase above the level stated.

When assessing vibration exposure to determine safety measures required by 2002/44/EC to protect persons regularly using power tools in employment, an estimation of vibration exposure should consider, the actual conditions of use and the way the tool is used, including taking account of all parts of the operating cycle such as the times when the tool is switched off and when it is running idle in addition to the trigger time.

Labels on tool

The following symbols are shown on the tool along with the date code :



Warning! To reduce the risk of injury, the user must read the instruction manual.

Electrical safety



This tool is double insulated; therefore no earth wire is required. Always check that the power supply corresponds to the voltage on the rating plate.

- ◆ If the supply cord is damaged, it must be replaced by the manufacturer or an authorised Stanley Fat Max Service Centre in order to avoid a hazard.

Features

This tool includes some or all of the following features.

1. Variable Speed trigger switch
2. Lock-on button
3. Saw blade locking lever
4. Blade clamp
5. Shoe plate
6. Shoe beveling lever
7. Cutting action lever
8. Shoe sleeve

Assembly

Warning! Before assembly, remove the battery from the tool and make sure that the saw blade has stopped. Used saw blades may be hot.

Fitting and removing the saw blade (fig. A)

- ◆ Hold the saw blade (11) with the teeth facing forward.
- ◆ Lift the saw blade locking lever (3) upwards.
- ◆ Insert the shank of the blade fully into the blade clamp (4) as far as it will go.
- ◆ Release the lever.
- ◆ To remove the saw blade (11), lift the saw blade locking lever (3) upwards and pull the blade out.

Fitting and removing the shoe sleeve (fig. B)

The non scratch shoe sleeve (9) should be used when cutting surfaces that scratch easily, such as laminate, veneer, or paint. It can also be used to protect the shoe surface during transportation and storage.

To attach shoe sleeve:

- ◆ place the front of the shoe plate (5) into the front of the shoe sleeve (9).
- ◆ Lower the tool into the shoe sleeve (9). The shoe sleeve will click securely onto the rear of the shoe.

To remove shoe sleeve:

- ◆ Grasp the shoe sleeve from the bottom at the two rear tabs and pull down and away from the shoe plate (5).

Use

Warning! Let the tool work at its own pace. Do not overload.

Warning! Never use the tool when the saw shoe is loose or removed.

Switching on and off (fig. C)

- ◆ To switch the tool on, press the variable speed switch (1). The speed depends on how far you depress the switch.
- ◆ For continuous operation, press the lock-on button (2) and press the variable speed switch. This option is available only at full speed.
- ◆ To switch the tool off, release the variable speed switch.
- ◆ To switch the tool off, when in continuous operation, press the variable speed switch once more and release it.

Variable speed control

- ◆ Use a high speed for wood, medium speed for aluminium and PVC and low speed for metals other than aluminium.

Bevel cutting (fig. D & E)

The shoe plate can be set to a left or right bevel angle of up to 45°.

To set the bevel angle:

- ◆ Pull the shoe beveling lever (6) out and away from the saw to unlock the shoe plate (5).
- ◆ Slide the shoe plate forward to release it from the 0° positive stop position.
- ◆ Set the shoe plate to the desired bevel angle. Use a protractor to verify angle accuracy.
- ◆ Push the shoe beveling lever (6) back towards the saw to lock the shoe plate (5).

Note: The shoe can be beveled to the left or to the right and has detents at 15°, 30° and 45°.

To reset the shoe for straight cuts:

- ◆ Pull the shoe beveling lever (6) out and away from the saw to unlock the shoe plate (5).
- ◆ Rotate shoe to an angle of approximately 0° and then pull shoe backwards to engage the 0° positive stop.
- ◆ Push the shoe beveling lever back (6) towards the saw to lock the shoe plate (5).

Cutting action (fig. F)

This jig saw is equipped with four cutting actions, three orbital and one straight. Orbital action has a more aggressive blade motion and is designed for cutting in soft materials like wood or plastic. Orbital action provides a faster cut, but with a less smooth cut across the material. In orbital action, the blade moves forward during the cutting stroke in addition to the up and down motion..

Warning! Metal or hardwoods should never be cut in orbital action.

- ◆ Move the cutting action lever (8) between the four cutting positions: 0, 1, 2, and 3..
- ◆ Position 0 is straight cutting.
- ◆ Positions 1, 2, and 3 are orbital cutting.
- ◆ The aggressiveness of the cut increases as the lever is adjusted from one to three, with three being the most aggressive cut.

Sawing

- ◆ Always hold the tool with both hands.
- ◆ Let the blade run freely for a few seconds before starting the cut.
- ◆ Apply only a gentle pressure to the tool while performing the cut.
- ◆ If possible, work with the shoe plate (5) pressed against the workpiece. This will improve tool control and reduce tool vibration, as well as prevent the blade from being damaged.

Hints for optimum use**General**

- ◆ Use a high speed for wood, a medium speed for aluminium and PVC and a low speed for metals other than aluminium.

Sawing laminates

As the saw blade cuts on the upward stroke, splintering may occur on the surface closest to the shoe plate.

- ◆ Use a fine-tooth saw blade.
- ◆ Saw from the back surface of the workpiece.
- ◆ To minimise splintering, clamp a piece of scrap wood or hardboard to both sides of the workpiece and saw through this sandwich.

Sawing metal

Be aware that sawing metal takes much more time than sawing wood.

- ◆ Use a saw blade suitable for sawing metal. Use a fine-tooth saw blade for ferrous metals and a coarser saw blade for non-ferrous metals.
- ◆ When cutting thin sheet metal, clamp a piece of scrap wood to the back surface of the workpiece and cut through this sandwich.
- ◆ Spread a film of oil along the intended line of cut.

Accessories

The performance of your tool depends on the accessory used. Stanley Fat Max accessories are engineered to high quality standards and designed to enhance the performance of your tool. By using these accessories you will get the very best from your tool.

This tool is suitable both for U-shank and T-shank saw blades.

Maintenance

Your tool has been designed to operate over a long period of time with a minimum of maintenance. Continuous satisfactory operation depends upon proper tool care and regular cleaning.

Warning! Before performing any maintenance, switch off and unplug the tool.

- ◆ Regularly clean the ventilation slots in your tool and charger using a soft brush or dry cloth.
- ◆ Regularly clean the motor housing using a damp cloth. Do not use any abrasive or solvent-based cleaner.
- ◆ Occasionally apply a drop of oil to the axle of the blade support roller.

Mains plug replacement (U.K. & Ireland only)

If a new mains plug needs to be fitted:

- ◆ Safely dispose of the old plug.
- ◆ Connect the brown lead to the live terminal in the new plug.
- ◆ Connect the blue lead to the neutral terminal.

Warning! No connection is to be made to the earth terminal. Follow the fitting instructions supplied with good quality plugs. Recommended fuse: 5 A.

Protecting the environment

Separate collection. This product must not be disposed of with normal household waste.

Should you find one day that your Stanley Fat Max product needs replacement, or if it is of no further use to you, do not dispose of it with household waste. Make this product available for separate collection.



Separate collection of used products and packaging allows materials to be recycled and used again. Re-use of recycled materials helps prevent environmental pollution and reduces the demand for raw materials.

Local regulations may provide for separate collection of electrical products from the household, at municipal waste sites or by the retailer when you purchase a new product.

Stanley Europe provides a facility for the collection and recycling of Stanley Fat Max products once they have reached the end of their working life. To take advantage of this service please return your product to any authorised repair agent who will collect them on our behalf.

You can check the location of your nearest authorised repair agent by contacting your local Stanley Europe office at the address indicated in this manual. Alternatively, a list of authorised Stanley Europe repair agents and full details of our after-sales service and contacts are available on the Internet at: www.2helpU.com

Technical data

		FME340 (Type 2)	
Input voltage	V_{ac}	230	
Power input	W	710	
No-load speed	min^{-1}	0 - 3,200	
Stroke length	mm	20	
Max depth of cut			
Wood	mm	85	
Steel	mm	10	
Aluminium	mm	15	
Weight	kg	2.74	

L_{pA} (sound pressure) 88.6 dB(A), Uncertainty (K) 3 dB(A)

L_{WA} (sound power) 99.6 dB(A), Uncertainty (K) 3 dB(A)

Vibration total values (triax vector sum) according to EN 60745:

Cutting boards ($a_{h,B}$) 6.2 m/s^2 , uncertainty (K) 1.5 m/s^2

Cutting sheet metal ($a_{h,M}$) 6.4 m/s^2 , uncertainty (K) 1.5 m/s^2

EC declaration of conformity

MACHINERY DIRECTIVE



FME340 Jig saw

Stanley Europe declares that these products described under
"technical data" are in compliance with:
2006/42/EC, EN 60745-1: 2009 + A1 2010,
EN 60745-2-11:2010

The undersigned is responsible for compilation of the technical
file and makes this declaration on behalf of Stanley Europe.

A handwritten signature in black ink, appearing to read 'R. Laverick', written over a white background.

R. Laverick
Engineering Manager
Stanley Fat Max Europe, 210 Bath Road, Slough,
Berkshire, SL1 3YD
United Kingdom
21/08/2015

These products also comply with Directive 2004/108/EC (until
19/04/2016, 2014/30/EU (from 20/04/2016) and 2011/65/EU.
For more information, please contact Stanley Europe at the
following address or refer to the back of the manual.

Guarantee

StanleyEurope is confident of the quality of its products and offers an outstanding guarantee for professional users of the product. This guarantee statement is in addition to and in no way prejudices your contractual rights as a private non-professional user. The guarantee is valid within the territories of the Member States of the European Union and the European Free Trade Area.

ONE-YEAR FULL WARRANTY

If your Stanley Fat Max product becomes defective due to faulty materials or workmanship within 12 months from the date of purchase, Stanley Europe guarantees to replace all defective parts free of charge or – at our discretion – replace the unit free of charge provided that:

- ◆ The product has not been misused and has been used in accordance with the instruction manual.
- ◆ The product has been subject to fair wear and tear;
- ◆ Repairs have not been attempted by unauthorised persons;
- ◆ Proof of purchase is produced.
- ◆ The Stanley Fat Max product is returned complete with all original components

If you wish to make a claim, contact your seller or check the location of your nearest authorised Stanley Fat Max repair agent in the Stanley Fat Max catalogue or contact your local Stanley office at the address indicated in this manual. A list of authorised Stanley Fat Max repair agents and full details of our after sales service is available on the internet at:www.stanley.eu/3

Verwendungszweck

Ihre Stanley Fat Max Stichsäge wurde zum Sägen von Holz, Kunststoff und Metallblechen entwickelt. Dieses Gerät ist zum gewerblichen und privaten Einsatz vorgesehen.

Sicherheitshinweise

Allgemeine Sicherheitswarnungen für das Gerät



Warnung! Lesen Sie alle Sicherheitswarnhinweise und alle Anweisungen. Die Nichteinhaltung der folgenden Warnungen und Anweisungen kann einen elektrischen Schlag, Brand und/oder schwere Verletzungen verursachen.

Bewahren Sie alle Sicherheitswarnungen und Anweisungen gut auf. Der nachfolgend verwendete Begriff „Gerät“ bezieht sich auf netzbetriebene Geräte (mit Netzkabel) und auf akkubetriebene Geräte (ohne Netzkabel).

1. **Sicherheit im Arbeitsbereich**
 - a. **Halten Sie Ihren Arbeitsbereich sauber und gut ausgeleuchtet.** Unaufgeräumte oder dunkle Bereiche begünstigen Unfälle.
 - b. **Betreiben Sie das Gerät nicht in Umgebungen, in denen Explosionsgefahr z. B. aufgrund von brennbaren Flüssigkeiten, Gasen oder Staub besteht.** Geräte erzeugen Funken, die den Staub oder die Dämpfe entzünden können.
 - c. **Halten Sie Kinder und andere Personen während der Benutzung eines Geräts fern.** Bei Ablenkung können Sie die Kontrolle verlieren.
 2. **Elektrische Sicherheit**
 - a. **Der Netzstecker des Geräts muss in die Steckdose passen. Ändern Sie niemals den Stecker in irgendeiner Form. Verwenden Sie keinerlei Adapterstecker an geerdeten Elektrogeräten.** Unveränderte Stecker und passende Steckdosen mindern die Gefahr eines elektrischen Schlages.
 - b. **Vermeiden Sie Körperkontakt mit geerdeten Oberflächen von Rohren, Heizungen, Herden und Kühlschränken.** Es besteht eine erhöhte Gefahr für einen elektrischen Schlag, wenn Ihr Körper geerdet ist.
 - c. **Halten Sie Geräte von Regen und Nässe fern.** Das Eindringen von Wasser in ein Gerät erhöht das Risiko eines elektrischen Schlags.
 - d. **Verwenden Sie das Kabel ordnungsgemäß. Verwenden Sie es niemals zum Tragen. Trennen Sie das Gerät nicht durch Ziehen am Kabel vom Netz. Halten Sie das Kabel fern von Hitze, Öl, scharfen Kanten oder beweglichen Teilen.**
 3. **Sicherheit von Personen**
 - a. **Seien Sie aufmerksam, achten Sie darauf, was Sie tun, und gehen Sie sachgerecht mit einem Gerät um. Benutzen Sie kein Gerät, wenn Sie müde sind oder unter dem Einfluss von Drogen, Alkohol oder Medikamenten stehen.** Ein Moment der Unachtsamkeit beim Betrieb eines Geräts kann zu schweren Verletzungen führen.
 - b. **Verwenden Sie eine geeignete Schutzausrüstung. Tragen Sie immer einen Augenschutz.** Das Tragen persönlicher Schutzausrüstung, wie Staubmaske, rutschfeste Sicherheitsschuhe, Schutzhelm oder Gehörschutz, je nach Art und Einsatz des Geräts, verringert das Risiko von Verletzungen.
 - c. **Vermeiden Sie eine unbeabsichtigte Inbetriebnahme. Vergewissern Sie sich, dass das Gerät ausgeschaltet ist, bevor Sie es an eine Steckdose oder einen Akku anschließen, es hochheben oder tragen.** Wenn Sie beim Tragen des Geräts den Finger am Schalter haben oder das Gerät eingeschaltet an die Stromversorgung anschließen, kann dies zu Unfällen führen.
 - d. **Entfernen Sie Einstell- oder Schraubenschlüssel, bevor Sie das Gerät einschalten.** Werkzeuge oder Schlüssel, die an rotierenden Teilen des Geräts angebracht sind, können zu Verletzungen führen.
 - e. **Beugen Sie sich nicht zu weit nach vorne. Sorgen Sie für einen sicheren Stand und halten Sie jederzeit das Gleichgewicht.** Dadurch können Sie das Gerät in unerwarteten Situationen besser kontrollieren.
 - f. **Tragen Sie geeignete Kleidung. Tragen Sie keine weite Kleidung und keinen Schmuck. Halten Sie Ihre Haare, Kleidung und Handschuhe von beweglichen Teilen fern.** Lose sitzende Kleidung, Schmuck oder lange Haare können sich in den beweglichen Teilen verfangen.
 - g. **Falls Vorrichtungen zum Absaugen oder Auffangen von Staub vorhanden sind, vergewissern Sie sich, dass diese angeschlossen sind und richtig verwendet werden.** Das Verwenden einer Staubauffangvorrichtung verringert Gefährdungen durch Staub.
- Beschädigte oder verhedderte Kabel erhöhen die Gefahr eines elektrischen Schlages.
- e. **Verwenden Sie nur für den Außenbereich zugelassene Verlängerungskabel, wenn Sie mit dem Gerät im Freien arbeiten.** Die Verwendung eines für den Außenbereich geeigneten Verlängerungskabels verringert das Risiko eines elektrischen Schlags.
 - f. **Wenn das Gerät in einer feuchten Umgebung verwendet werden muss, schließen Sie es unbedingt an eine Steckdose mit Fehlerstromschutzschalter (FI-Schalter) an.** Ein Fehlerstromschutzschalter verringert das Risiko eines elektrischen Schlags.

4. Gebrauch und Pflege von Geräten

- a. **Überlasten Sie das Gerät nicht. Verwenden Sie das für Ihre Arbeit passende Gerät.** Das richtige Gerät wird die Aufgabe besser und sicherer erledigen, wenn es bestimmungsgemäß verwendet wird.
- b. **Verwenden Sie das Gerät nicht, wenn der Ein-/Ausschalter nicht funktioniert.** Ein Gerät, das sich nicht mehr ein- oder ausschalten lässt, ist gefährlich und muss repariert werden.
- c. **Ziehen Sie den Stecker aus der Steckdose, oder trennen Sie das Gerät vom Akku, bevor Sie Einstellungen vornehmen, Zubehörteile wechseln oder das Gerät lagern.** Diese Vorbeugemaßnahmen mindern die Gefahr, dass das Elektrogerät unbeabsichtigt startet.
- d. **Bewahren Sie unbenutzte Geräte außerhalb der Reichweite von Kindern auf. Lassen Sie Geräte nicht von Personen benutzen, die damit nicht vertraut sind oder diese Anweisungen nicht gelesen haben.** Geräte sind in den Händen nicht geschulter Personen gefährlich.
- e. **Halten Sie das Gerät in einem einwandfreien Zustand. Kontrollieren Sie, ob bewegliche Teile falsch ausgerichtet sind oder klemmen und ob Teile gebrochen oder so beschädigt sind, dass die Funktion des Geräts beeinträchtigt ist. Bei Beschädigungen lassen Sie das Gerät reparieren, bevor Sie es verwenden.** Viele Unfälle entstehen wegen mangelnder Wartung der Geräte.
- f. **Halten Sie Schneidgeräte scharf und sauber.** Richtig gewartete Schneidwerkzeuge mit scharfen Klingen blockieren seltener und sind leichter unter Kontrolle zu halten.
- g. **Verwenden Sie Gerät, Zubehör, Einsatz-Bits usw. entsprechend diesen Anweisungen, und berücksichtigen Sie dabei die Arbeitsbedingungen und die auszuführende Arbeit.** Der Gebrauch von Geräten für andere als die vorgesehenen Zwecke kann zu gefährlichen Situationen führen.

5. Service

- a. **Lassen Sie das Gerät nur von qualifiziertem Fachpersonal und nur mit Originalersatzteilen reparieren.** Damit wird sichergestellt, dass die Sicherheit des Geräts erhalten bleibt.

Zusätzliche Sicherheitswarnungen für das Gerät



Warnung! Zusätzliche Sicherheitshinweise für Stichsägen und Handsägen

- ◆ **Halten Sie das Elektrowerkzeug an den isolierten Griffflächen, wenn Arbeiten durchgeführt werden, bei denen das Schneidwerkzeug versteckte Leitungen oder die eigene Anschlussleitung berühren könnte.** Der Kontakt des Schneidwerkzeugs mit einer spannungsführenden Leitung kann auch metallene Geräteteile unter Spannung setzen und zu einem elektrischen Schlag führen.
- ◆ **Sichern Sie das Werkstück zum Beispiel mit Spannvorrichtungen auf einer stabilen Plattform.** Das Werkstück ist instabil, wenn es mit der Hand oder dem Körper abgestützt wird, was zum Verlust der Kontrolle führen kann.
- ◆ **Halten Sie Ihre Hände von der Schneidzone fern.** Greifen Sie niemals unter das zu schneidende Werkstück. Bewegen Sie Ihre Finger nicht in die Nähe des sich bewegenden Sägeblattes und dessen Klemme. Versuchen Sie nicht, die Oberfräse zu stabilisieren, indem Sie diese am Frässhuh halten.
- ◆ **Halten Sie die Sägeblätter scharf.** Stumpfe oder beschädigte Klingen können dazu führen, dass das Gerät unter Druck blockiert oder ausbricht. Verwenden Sie immer ein für das jeweilige Werkstück und die Schnittart geeignetes Sägeblatt.
- ◆ **Achten Sie beim Sägen von Rohren oder Leitungen darauf, dass diese frei von Wasser, Stromkabeln und Ähnlichem sind.**
- ◆ **Berühren Sie das Werkstück oder das Sägeblatt nicht direkt nach dem Gebrauch.** Sie können sehr heiß werden.
- ◆ **Achten Sie auch auf nicht sichtbare Gefahren, wenn Sie in Wände, Böden oder Decken sägen.** Prüfen Sie diese Stellen auf dahinter liegende Kabel oder Rohre.
- ◆ **Das Sägeblatt bewegt sich auch dann noch, wenn Sie den Schalter losgelassen haben.** Schalten Sie das Gerät vor dem Ablegen stets aus, und warten Sie, bis das Sägeblatt zum Stillstand gekommen ist.

Warnung! Die Berührung und das Einatmen von Stäuben, die beim Sägen von Materialien entstehen, können beim Bediener und bei Umstehenden gesundheitliche Schäden verursachen. Tragen Sie eine speziell für den Schutz vor Staub und Dämpfen vorgesehene Staubmaske, und stellen Sie sicher, dass auch andere Personen entsprechend geschützt sind, die den Arbeitsplatz betreten oder sich dort aufhalten.

- ◆ Die bestimmungsgemäße Verwendung ist in dieser Betriebsanleitung beschrieben. Die Verwendung von Zubehör- oder Anbauteilen, die nicht in dieser Anleitung empfohlen werden, sowie die Bedienung des Geräts in Abweichung von den in dieser Anleitung beschriebenen Verfahren können zu Verletzungen und/oder Sachschäden führen.

Sicherheit anderer Personen

- ◆ Dieses Gerät darf nicht von Personen (einschließlich Kindern) mit eingeschränkten körperlichen, sensorischen oder geistigen Fähigkeiten oder mangelnder Erfahrung und Wissen in Bezug auf dessen Gebrauch bedient werden, es sei denn, sie werden bei der Verwendung des Geräts von einer erfahrenen Person beaufsichtigt oder angeleitet.
- ◆ Kinder müssen beaufsichtigt werden, um sicherzustellen, dass sie nicht mit dem Gerät spielen.

Restrisiken

Beim Gebrauch dieses Geräts verbleiben zusätzliche Restrisiken, die möglicherweise nicht in den Sicherheitswarnungen genannt werden. Diese Risiken bestehen beispielsweise bei Missbrauch oder längerem Gebrauch.

Auch bei der Einhaltung der entsprechenden Sicherheitsvorschriften und der Verwendung aller Sicherheitsgeräte bestehen weiterhin bestimmte Restrisiken. Diese sind:

- ◆ Verletzungen, die durch das Berühren von sich drehenden/bewegenden Teilen verursacht werden.
- ◆ Verletzungen, die durch das Austauschen von Teilen, Sägeblättern oder Zubehör verursacht werden.
- ◆ Verletzungen, die durch längeren Gebrauch eines Geräts verursacht werden. Legen Sie bei längerem Gebrauch regelmäßige Pausen ein.
- ◆ Beeinträchtigung des Gehörs.
- ◆ Gesundheitsrisiken durch das Einatmen von Staub beim Gebrauch des Geräts (beispielsweise bei Holzarbeiten, insbesondere Eiche, Buche und Pressspan)

Vibration

Die in den Abschnitten „Technische Daten“ und „EU-Konformitätserklärung“ angegebenen Werte für die Vibrationsemission wurden mit einer Standard-Prüfmethode nach EN 60745 ermittelt und können zum Vergleich verschiedener Geräte herangezogen werden. Außerdem kann mit Hilfe dieses Werts die Belastung bei Verwendung des Geräts schon im Voraus eingeschätzt werden.

Warnung! Die bei Verwendung des Geräts auftretende Vibrationsemission hängt von der Art des Gerätegebrauchs ab und kann dementsprechend von dem angegebenen Wert abweichen. Gegebenenfalls kann die Vibration über dem angegebenen Wert liegen.

Für die Ermittlung der Vibrationsbelastung müssen die tatsächlichen Einsatzbedingungen und Verwendungen des Geräts während des gesamten Arbeitsgangs berücksichtigt werden, einschließlich der Zeiten, wenn das Gerät nicht verwendet oder im Leerlauf betrieben wird.

Diese Werte werden benötigt, um die gemäß 2002/44/EG erforderlichen Sicherheitsmaßnahmen zum Schutz von Personen festlegen zu können.

Etiketten am Werkzeug

Am Gerät sind die folgenden Warnsymbole inkl. Datumscode angebracht:



Warnung! Lesen Sie vor Gebrauch die Anleitung. Andernfalls besteht Verletzungsgefahr.

Elektrische Sicherheit



Dieses Gerät ist schutzisoliert, daher ist keine Erdleitung erforderlich. Überprüfen Sie immer, dass die Stromversorgung der Spannung auf dem Typenschild entspricht.

- ◆ Ist das Netzkabel beschädigt, muss es durch den Hersteller oder eine Stanley Fat Max Vertragswerkstatt ausgetauscht werden, um eine mögliche Gefährdung zu vermeiden.

Merkmale

Dieses Gerät verfügt über einige oder alle der folgenden Merkmale:

1. Drehzahl-Regelschalter
2. Verriegelungsknopf
3. Hebel für Sägeblattverriegelung
4. Sägeblattklemme
5. Sägeschuh
6. Hebel zum Einstellen des Sägeschuhwinkels
7. Hebel zur Einstellung der Sägebewegung
8. Sägeschuhabdeckung

Montage

Warnung! Nehmen Sie vor der Montage den Akku aus dem Gerät, und stellen Sie sicher, dass das Sägeblatt zum Stillstand gekommen ist. Nach Verwendung kann das Sägeblatt heiß sein.

Anbringen und Entfernen des Sägeblatts (Abb. A)

- ◆ Halten Sie das Sägeblatt (11) mit den Zähnen nach vorne.
- ◆ Heben Sie den Hebel für die Sägeblattverriegelung (3) an.
- ◆ Setzen Sie den Schaft des Sägeblatts vollständig bis zum Anschlag in die Sägeblattklemme (4) ein.
- ◆ Geben Sie den Hebel frei.
- ◆ Heben Sie zum Entfernen des Sägeblatts (11) den Hebel für die Sägeblattverriegelung (3) an, und ziehen Sie das Sägeblatt heraus.

Anbringen und Entfernen der Sägeschuhabdeckung (Abb. B)

Die Sägeschuhabdeckung (9) zum Schutz vor Kratzern sollte beim Sägen von Oberflächen verwendet werden, die leicht verkratzen, wie z. B. Laminat, Furnier oder Lack. Sie kann auch zum Schutz des Sägeschuhs bei Transport und Lagerung verwendet werden.

So bringen Sie die Sägeschuhabdeckung an:

- ◆ Richten Sie die vordere Kante des Sägeschuhs (5) an der Vorderseite der Sägeschuhabdeckung (9) aus.
- ◆ Senken Sie das Gerät in die Sägeschuhabdeckung (9) ab. Die Sägeschuhabdeckung rastet an der hinteren Kante des Sägeschuhs ein.

So entfernen Sie die Sägeschuhabdeckung:

- ◆ Halten Sie die Sägeschuhabdeckung an den beiden hinteren Laschen an der Unterseite, und ziehen Sie sie nach unten vom Sägeschuh ab (5).

Verwendung

Warnung! Beschleunigen Sie den Arbeitsvorgang nicht mit Gewalt. Vermeiden Sie eine Überlastung.

Warnung! Betreiben Sie das Gerät nicht mit losem oder abgenommenem Sägeschuh.

Ein- und Ausschalten (Abb. C)

- ◆ Um das Gerät einzuschalten, drücken Sie den Ein-/Ausschalter mit Geschwindigkeitsregler (1). Die Geschwindigkeit ist davon abhängig, wie tief Sie den Schalter hineindrücken.
- ◆ Für das Arbeiten im Dauerbetrieb drücken Sie den Feststellknopf (2) und den Geschwindigkeitsregler. Diese Option steht nur für den Betrieb bei voller Geschwindigkeit zur Verfügung.
- ◆ Um das Gerät auszuschalten, lassen Sie den Geschwindigkeitsregler los.
- ◆ Wenn sich das Gerät im Dauerbetrieb befindet, müssen Sie zum Ausschalten den Geschwindigkeitsregler erneut drücken und loslassen.

Geschwindigkeitsregler

- ◆ Wählen Sie für Holz eine hohe, für Aluminium und PVC ein mittlere und für andere Metalle eine niedrige Geschwindigkeit.

Gehungsschnitte (Abb. D und E)

Der Sägeschuh kann bis zu einem Winkel von 45° nach links und rechts geschwenkt werden.

Einstellen des Gehungswinkels:

- ◆ Ziehen Sie den Hebel zum Einstellen des Sägeschuhwinkels (6) heraus und von der Säge weg, um die Verriegelung des Sägeschuhs (5) zu lösen.
- ◆ Ziehen Sie den Sägeschuh nach vorne, um diesen aus der 0°-Ausgangsposition zu lösen.
- ◆ Stellen Sie den Sägeschuh auf den gewünschten Winkel ein. Verwenden Sie einen Winkelmesser, um die Winkelstellung zu überprüfen.
- ◆ Drücken Sie den Hebel zum Einstellen des Sägeschuhwinkels (6) wieder zum Gerät hin, um die Verriegelung des Sägeschuhs (5) zu verriegeln.

Hinweis: Der Schuh kann nach links oder rechts geneigt werden und hat Arretierungen bei 15°, 30° und 45°.

So bringen Sie den Sägeschuh wieder in die Position für gerade Schnitte:

- ◆ Ziehen Sie den Hebel zum Einstellen des Sägeschuhwinkels (6) heraus und von der Säge weg, um die Verriegelung des Sägeschuhs (5) zu lösen.
- ◆ Schwenken Sie den Sägeschuh bis zu einem Winkel von ca. 0°, und ziehen Sie den Sägeschuh anschließend nach hinten in die 0°-Ausgangsposition.
- ◆ Drücken Sie den Hebel zum Einstellen des Sägeschuhwinkels (6) wieder zum Gerät hin, um die Verriegelung des Sägeschuhs (5) zu verriegeln.

Sägebewegung (Abb. F)

Diese Stichsäge ist mit vier Sägefunktionen ausgestattet, davon drei orbitale und eine gerade. Die orbitale Funktion besitzt eine Sägeblattbewegung mit mehr Kraft und dient zum Sägen weicher Werkstoffe wie Holz oder Kunststoff. Die orbitale Funktion ermöglicht schnellere Schnitte, die jedoch im Werkstoff weniger glatt verlaufen. Bei der kreisenden Bewegung wird das Sägeblatt zusätzlich zum Hub nach oben und unten auch nach vorne bewegt.

Warnung! Metall oder Hartholz darf keinesfalls mit der orbitalen Funktion gesägt werden.

- ◆ Stellen Sie den Hebel zum Einstellen der Sägebewegung (8) in eine der vier Sägepositionen: 0, 1, 2 und 3.
- ◆ Position 0 ist für gerades Sägen.
- ◆ Positionen 1, 2 und 3 sind für orbitales Sägen.
- ◆ Die Kraft beim Sägen erhöht sich, wenn der Hebel von eins auf zwei und drei gestellt wird, wobei drei die Funktion mit der meisten Kraft ist.

Sägen

- ◆ Halten Sie das Gerät immer mit beiden Händen.
- ◆ Lassen Sie das Sägeblatt einige Sekunden frei schwingen, bevor Sie mit der Arbeit beginnen.
- ◆ Üben Sie während des Sägens nur einen geringen Druck auf das Gerät aus.

- ◆ Drücken Sie den Sägeschuh (5) wenn möglich gegen das Werkstück. So erhalten Sie eine bessere Kontrolle über das Werkzeug, reduzieren die Vibrationen und verhindern, dass das Sägeblatt beschädigt wird.

Hinweise für optimale Arbeitsergebnisse

Allgemeines

- ◆ Wählen Sie für Holz eine hohe, für Aluminium und PVC ein mittlere und für andere Metalle eine niedrige Geschwindigkeit.

Sägen von Laminat

Da der Schnittvorgang bei der Aufwärtsbewegung des Sägeblatts erfolgt, kann die Oberfläche des Werkstücks splintern. Es entsteht dann eine unregelmäßige, ausgefranste Schnittkante.

- ◆ Verwenden Sie ein Sägeblatt mit feiner Zahnung.
- ◆ Drehen Sie das Werkstück um und setzen Sie die Säge an der Unterseite an.
- ◆ Ausgefranste Kanten und Absplinterungen können Sie auch vermeiden, indem Sie das zu sägende Werkstück zwischen zwei Holz- oder Pressspanplatten einspannen und dieses „Sandwich“ sägen.

Sägen von Metall

Beim Sägen von Metall erfolgt der Vorschub wesentlich langsamer als bei Werkstücken aus Holz.

- ◆ Verwenden Sie ein Sägeblatt, das zum Sägen von Metall geeignet ist. Verwenden Sie bei eisenhaltigen Metallen ein Sägeblatt mit feinen Zähnen und bei Metallen ohne Eisenanteil ein grobes Sägeblatt.
- ◆ Spannen Sie dünne Metallbleche zum Sägen auf eine Holz- oder Pressspanplatte.
- ◆ Bringen Sie einen dünnen Ölfilm entlang der beabsichtigten Schnittlinie auf.

Zubehör

Das verwendete Zubehör hat wesentlichen Einfluss auf die Leistung des Geräts. Zubehörteile von Stanley Fat Max erfüllen höchste Qualitätsstandards und wurden speziell für die Verwendung mit Ihrem Gerät entwickelt. Bei Verwendung dieses Zubehörs erhalten Sie stets optimale Ergebnisse. Das Gerät ist für Sägeblätter mit U- und T-Schaft geeignet.

Wartung

Ihr Gerät wurde im Hinblick auf eine lange Lebensdauer und einen möglichst geringen Wartungsaufwand entwickelt. Ein kontinuierlicher, zufriedenstellender Betrieb hängt von der richtigen Pflege des Gerätes und seiner regelmäßigen Reinigung ab.

Warnung! Schalten Sie das Gerät vor der Durchführung von Pflege-, Reinigungs- und Wartungsarbeiten aus, und ziehen Sie den Netzstecker..

- ◆ Reinigen Sie regelmäßig die Lüftungsschlitze des Geräts und des Ladegeräts mit einer weichen Bürste oder einem trockenen Tuch.
- ◆ Reinigen Sie das Motorgehäuse regelmäßig mit einem feuchten Tuch. Verwenden Sie keine scheuernden Reinigungsmittel oder Reinigungsmittel auf Lösungsmittelbasis.
- ◆ Schmieren Sie gelegentlich die Achse der Sägeblattführungsrolle mit einem Tropfen Öl.

Austauschen des Netzsteckers (nur Großbritannien und Irland)

Wenn ein neuer Netzstecker angebracht werden muss:

- ◆ Entsorgen Sie den alten Stecker auf sachgerechte Weise.
- ◆ Verbinden Sie die braune Leitung mit dem spannungsführenden Anschluss des Steckers.
- ◆ Verbinden Sie die blaue Leitung mit dem neutralen Anschluss.

Warnung! Stellen Sie keine Verbindung mit dem Erdungsanschluss her. Befolgen Sie die Montageanweisungen, die mit hochwertigen Steckern mitgeliefert werden. Empfohlene Sicherung: 5 A.

Umweltschutz



Getrennte Entsorgung. Dieses Produkt darf nicht mit normalem Haushaltsabfall entsorgt werden.

Sollten Sie Ihr Stanley Fat Max Produkt eines Tages ersetzen oder nicht mehr benötigen, entsorgen Sie es nicht mit dem Hausmüll. Führen Sie dieses Produkt der Abfalltrennung zu.



Durch die separate Sammlung von ausgedienten Produkten und Verpackungsmaterialien können Rohstoffe recycelt und wiederverwendet werden. Die Wiederverwendung von Recyclingstoffen hilft, Umweltverschmutzung zu vermeiden und mindert die Nachfrage nach Rohstoffen.

Die Verordnung zur Abfallentsorgung Ihrer Gemeinde sieht möglicherweise vor, dass Elektrogeräte getrennt vom Hausmüll gesammelt, an der örtlichen Abfallentsorgungseinrichtung abgegeben oder beim Kauf eines neuen Produkts vom Fachhandel zur Entsorgung angenommen werden müssen.

Stanley Europe nimmt Ihre ausgedienten Stanley Fat Max Geräte gern zurück und sorgt für eine umweltfreundliche Entsorgung bzw. Wiederverwertung. Um diesen Service zu nutzen, bringen Sie bitte Ihr Produkt zu einer beliebigen autorisierten Kundendienstwerkstatt, die es in unserem Auftrag sammeln.

Die Adresse der zuständigen Niederlassung von Stanley Europe steht in dieser Anleitung. Dort teilt man Ihnen gerne die nächstgelegene Vertragswerkstatt mit. Eine Liste der Vertragswerkstätten und aller Kundendienststellen von Stanley Europe sowie der zuständigen Ansprechpartner finden Sie auch im Internet unter: www.2helpU.com

EU-Konformitätserklärung MASCHINENRICHTLINIE



FME340 Stichsäge

Stanley Europe erklärt, dass diese unter „Technische Daten“ beschriebenen Geräte übereinstimmen mit:
2006/42/EG, EN 60745-1: 2009 + A1 2010,
EN 60745-2-11:2010

Diese Produkte entsprechen außerdem den Richtlinien 2004/108/EG (bis 19.4.2016), 2014/30/EU (ab 20.4.2016) und 2011/65/EU. Weitere Informationen erhalten Sie von Stanley Europe unter der folgenden Adresse. Diese befindet sich auch auf der Rückseite dieser Anleitung.

Der Unterzeichnete ist verantwortlich für die Zusammenstellung der technischen Daten und gibt diese Erklärung im Namen von Stanley Europe ab.

R. Laverick
Engineering Manager
Stanley Fat Max Europe, 210 Bath Road, Slough,
Berkshire, SL1 3YD
Vereinigtes Königreich
21.08.2015

Technische Daten

		FME340 (Typ 2)
Eingangsspannung	V_{AC}	230
Leistungsaufnahme	W	710
Leerlaufdrehzahl	min^{-1}	0 - 3.200
Hub	mm	20
Maximale Schnitttiefe		
Holz	mm	85
Stahl	mm	10
Aluminium	mm	15
Gewicht	kg	2.74

L_{pA} (Schalldruck) 88,6 dB(A), Unsicherheitsfaktor (K) 3 dB(A)
L_{WA} (Schalleistung) 99,6 dB(A), Unsicherheitsfaktor (K) 3 dB(A)
Gesamtvibration (Triax-Vektorsumme) gemäß EN 60745:
Schneiden von Brettern ($a_{h,B}$) 6,2 m/s^2 , Unsicherheitsfaktor (K) 1,5 m/s^2
Schneiden von Metallblech ($a_{h,M}$) 6,4 m/s^2 , Unsicherheitsfaktor (K) 1,5 m/s^2

Garantie

Stanley Europe vertraut auf die Qualität der eigenen Geräte und bietet gewerblichen Anwendern eine außergewöhnliche Garantie. Bei dieser Garantieerklärung handelt es sich um eine Ergänzung zu den vertraglich festgeschriebenen Rechten von Heimanwendern, die durch diese Garantieerklärung keinesfalls eingeschränkt werden. Diese Garantie gilt innerhalb der Staatsgebiete der Mitgliedstaaten der Europäischen Union und der Europäischen Freihandelszone.

VOLLE GARANTIE FÜR EIN JAHR

Tritt innerhalb von 12 Monaten ab Kaufdatum an einem Gerät von Stanley Fat Max ein auf Material- oder Verarbeitungsfehler zurückzuführender Mangel auf, garantiert Stanley Europe den kostenlosen Austausch sämtlicher defekter Teile bzw. – nach eigenem Ermessen – den kostenlosen Ersatz des Geräts, allerdings vorbehaltlich folgender Bedingungen:

- ◆ Das Gerät wurde gemäß dieser Anleitung verwendet;
- ◆ Das Gerät wurde nur normaler Abnutzung ausgesetzt;
- ◆ Es wurden keine Reparaturversuche durch unberechtigte Personen unternommen;
- ◆ Es ist ein Kaufbeleg vorhanden;
- ◆ Das Gerät von Stanley Fat Max wird vollständig und mit allen Originalkomponenten eingereicht.

Wenn Sie Garantieleistungen in Anspruch nehmen möchten, wenden Sie sich an den Verkäufer oder die zuständige Niederlassung von Stanley Fat Max. Die Adresse finden Sie im Stanley Fat Max Katalog, oder sie wird Ihnen von der örtlichen Niederlassung genannt, deren Adresse in dieser Anleitung steht. Eine Liste der Vertragswerkstätten und aller Kundendienststellen von Stanley Fat Max finden Sie auch im Internet unter: www.stanley.eu/3

Utilisation prévue

Votre scie sauteuse Stanley Fat Max a été spécialement conçue pour scier le bois, le plastique et le métal. Cet outil a été conçu pour les utilisateurs non professionnels, ainsi que pour un usage privé et professionnel.

Consignes de sécurité

Consignes de sécurité concernant les outils électriques



Avertissement ! Lisez tous les avertissements et toutes les consignes de sécurité. Le non-respect des avertissements et des instructions listés ci-dessous peut entraîner des chocs électriques, des incendies et/ou de graves blessures.

Conservez tous les avertissements et toutes les instructions afin de pouvoir vous y référer dans le futur. Le terme «outil électrique» mentionné dans tous les avertissements listés ci-dessous fait référence à vos outils électriques branchés sur secteur (avec câble) ou fonctionnant sur pile ou batterie (sans fil).

1. Sécurité de la zone de travail

- a. **Maintenez la zone de travail propre et bien éclairée.** Les zones sombres ou encombrées sont propices aux accidents.
- b. **N'utilisez pas d'outils électriques dans un environnement présentant des risques d'explosion ou en présence de liquides, gaz ou poussières inflammables.** Les outils électriques créent des étincelles qui peuvent enflammer les poussières et les fumées.
- c. **Maintenez les enfants et autres personnes éloignés lorsque les outils électriques sont en marche.** Toute distraction peut vous faire perdre le contrôle de l'outil.

2. Sécurité électrique

- a. **La prise des outils électriques doit correspondre à la prise de courant murale. Ne modifiez la prise d'aucune sorte. N'utilisez aucun adaptateur avec des outils électriques reliés à la terre.** L'utilisation de prises d'origine et de prises murales appropriées permet de réduire le risque de choc électrique.
- b. **Évitez tout contact physique avec des surfaces reliées à la terre comme des tuyaux, des radiateurs, des fours et des réfrigérateurs par exemple.** Le risque de choc électrique augmente si votre corps est relié à la terre.
- c. **N'exposez pas les outils électriques à la pluie, ni à l'humidité.** Le risque de choc électrique augmente si de l'eau pénètre dans un outil électrique.
- d. **Ne tirez pas sur le cordon d'alimentation.**

N'utilisez jamais le cordon pour transporter, tirer ou débrancher l'outil électrique.

Maintenez le cordon éloigné de la chaleur, des substances grasses, des bords tranchants ou des pièces mobiles. Les cordons endommagés ou emmêlés augmentent le risque de choc électrique.

- e. **Si vous utilisez un outil électrique à l'extérieur, utilisez une rallonge homologuée pour les travaux extérieurs.** L'utilisation d'un cordon adapté pour l'extérieur réduit le risque de choc électrique.
- f. **Si l'utilisation d'un outil électrique dans un endroit humide est inévitable, utilisez une alimentation électrique protégée par un disjoncteur différentiel.** L'utilisation d'un disjoncteur différentiel réduit le risque de choc électrique.

3. Sécurité personnelle

- a. **Restez vigilant, surveillez ce que vous faites et faites preuve de bon sens lorsque vous utilisez un outil électrique. N'utilisez pas d'outil électrique si vous êtes fatigué ou sous l'influence de drogue, d'alcool ou de médicaments.** Tout moment d'inattention pendant l'utilisation d'un outil électrique peut engendrer de graves blessures.
- b. **Portez des équipements de protection individuelle. Portez toujours une protection oculaire.** Les équipements de protection comme les masques à poussière, les chaussures de sécurité antidérapantes, les casques ou les protections auditives utilisés à bon escient réduisent le risque de blessures.
- c. **Empêchez tout démarrage par inadvertance. Assurez-vous que l'outil est en position OFF (Arrêt) avant d'effectuer le branchement à l'alimentation électrique et/ou au bloc-batterie ou avant de ramasser ou de transporter l'outil.** Le fait de transporter les outils électriques le doigt sur l'interrupteur ou d'alimenter les outils électriques dont l'interrupteur est déjà en position de marche augmente les accidents.
- d. **Retirez toutes les clés ou pinces de réglage avant de mettre l'outil en marche.** Une clé ou une pince restée fixée à la partie rotative de l'outil électrique peut engendrer des blessures.
- e. **Ne présumez pas de vos forces. Gardez les pieds bien ancrés au sol et conservez votre équilibre en permanence.** Cela permet de mieux maîtriser l'outil électrique en cas de situations imprévues.
- f. **Portez des vêtements appropriés. Ne portez aucun vêtement ample ou de bijou. Gardez vos cheveux, vos vêtements et vos gants éloignés des pièces mobiles.** Les vêtements amples, les bijoux ou les cheveux longs peuvent être happés par les pièces mobiles.

- g. **Si des dispositifs pour l'extraction des poussières ou des installations pour la récupération sont présents, assurez-vous qu'ils sont correctement raccordés et utilisés.**

L'utilisation de dispositifs récupérateurs de poussières réduit les risques liés aux poussières.

4. Utilisation et entretien des outils électriques

- a. **Ne forcez pas sur l'outil électrique. Utilisez le bon outil adapté pour votre intervention.** Un outil adapté fonctionne mieux, de façon plus sûre et à la cadence pour laquelle il a été conçu.
- b. **N'utilisez pas l'outil électrique si l'interrupteur Marche/Arrêt est défectueux.** Tout appareil électrique qui ne peut plus être commandé par son interrupteur est dangereux et doit être réparé.
- c. **Débranchez la prise du secteur et/ou le bloc-batterie de l'outil électrique avant d'effectuer tout réglage, de changer un accessoire ou de ranger l'outil électrique.** Ces mesures de sécurité préventives réduisent le risque de démarrage accidentel de l'outil électrique.
- d. **Rangez les outils électriques non utilisés hors de portée des enfants et ne laissez aucune personne ne connaissant pas ces outils ou leurs instructions d'utilisation les faire fonctionner.** Les outils électriques peuvent être dangereux entre des mains inexpérimentées.
- e. **Entretenez vos outils électriques. Vérifiez que les pièces mobiles sont alignées correctement et qu'elles ne sont pas coincées. Vérifiez qu'il n'y a pas de pièces cassées ou toute autre condition qui pourrait nuire au bon fonctionnement de l'outil. En cas de dommage, faites réparer l'outil électrique avant utilisation.** De nombreux accidents sont provoqués par des outils électriques mal entretenus.
- f. **Maintenez les outils de découpe affûtés et propres.** Des outils de découpe bien entretenus et affûtés sont moins susceptibles de rester coincés et sont plus faciles à contrôler.
- g. **Utilisez les outils électriques, les accessoires et les embouts d'outil conformément à ces instructions, en tenant compte des conditions de travail, ainsi que du travail à effectuer.** L'utilisation d'un outil électrique à des fins autres que celles pour lesquelles il a été prévu engendre des situations dangereuses.

5. Réparation

- a. **Faites réparer votre outil électrique par une personne qualifiée, n'utilisant que des pièces de rechange d'origine.** Cela permet de garantir la sécurité de l'outil électrique.

Consignes de sécurité supplémentaires concernant les outils électriques



Avertissement ! Consignes de sécurité supplémentaires pour les scies sauteuses et les scies alternatives

- ◆ **Tenez l'outil électrique par ses surfaces de préhension isolées pendant les opérations pour lesquelles l'accessoire de coupe peut entrer en contact avec des fils électriques cachés ou son propre cordon.** Tout contact de l'accessoire de coupe avec un fil sous tension peut mettre les parties métalliques exposées de l'outil sous tension et provoquer un choc électrique à l'utilisateur.
- ◆ **Utilisez des pinces ou tout autre moyen pratique pour fixer et soutenir la pièce à travailler sur une plateforme stable.** Tenir la pièce à travailler dans vos mains ou contre votre corps la rend instable et peut conduire à une perte de contrôle.
- ◆ **Éloignez vos mains des zones de découpe.** Ne cherchez jamais à atteindre le matériel par le dessous. Ne passez pas vos doigts ou pouces à proximité de la lame de scie alternative et du dispositif de fixation de la lame. Ne cherchez pas à stabiliser la scie en attrapant la semelle.
- ◆ **Gardez les lames bien affûtées.** Les lames émoussées ou endommagées peuvent faire dévier ou bloquer la scie pendant le fonctionnement. Utilisez toujours le type de lame de scie approprié pour la matière de la pièce à découper.
- ◆ **Avant de découper un tuyau ou une conduite, assurez-vous qu'il n'y a ni eau, ni fil électrique, etc.**
- ◆ **Ne touchez pas la pièce découpée ou la lame immédiatement après avoir utilisé l'outil.** Ils peuvent être très chauds.
- ◆ **Prenez garde aux dangers cachés. Avant de découper des murs, des planchers ou des plafonds, vérifiez l'emplacement des fils et tuyaux.**
- ◆ **La lame continue de bouger une fois l'interrupteur relâché.** Éteignez toujours l'outil et patientez jusqu'à ce que la lame soit complètement arrêtée avant de poser l'outil.

Avertissement ! Tout contact ou inhalation de poussières émises pendant la découpe peut nuire à la santé de l'opérateur et des personnes à proximité. Portez un masque antipoussières spécialement conçu pour vous protéger des poussières et des fumées et veillez à ce que les personnes se trouvant à l'intérieur de la zone de travail ou y pénétrant soient également protégées.

- ◆ L'utilisation prévue est décrite dans ce manuel d'utilisation. L'utilisation d'un accessoire ou d'une fixation ou l'utilisation de cet outil à d'autres fins que celles recommandées dans ce manuel d'utilisation présentent un risque de blessures et/ou de dommages matériels.

Sécurité des personnes

- ◆ Cet outil n'est pas conçu pour être utilisé par des personnes (y compris des enfants) ayant des capacités mentales, sensorielles ou physiques réduites, ou celles manquant d'expérience et de connaissances, à moins qu'elles ne soient encadrées ou qu'elles n'aient été formées à l'utilisation de l'appareil par une personne responsable de leur sécurité.
- ◆ Ne laissez jamais les enfants sans surveillance pour éviter qu'ils ne jouent avec cet appareil.

Risques résiduels.

Certains risques résiduels supplémentaires non mentionnés dans les avertissements sur la sécurité peuvent survenir en utilisant l'outil. Ces risques peuvent être provoqués par une utilisation incorrecte, prolongée, etc...

Malgré l'application des normes de sécurité pertinentes et la présence de dispositifs de sécurité, certains risques résiduels ne peuvent pas être évités. Ils comprennent :

- ◆ Les blessures dues au contact avec une pièce rotative/mobile.
- ◆ Les blessures dues au remplacement de pièces, lames ou accessoires.
- ◆ Les blessures dues à l'utilisation prolongée d'un outil. Lorsque l'outil est utilisé pendant de longues périodes, assurez-vous de faire des pauses régulières.
- ◆ La diminution de l'acuité auditive.
- ◆ Les risques sanitaires dus à l'inhalation de poussières émises pendant l'utilisation de l'outil (exemple : travail avec du bois, surtout le chêne, le hêtre et les panneaux en MDF).

Vibrations

Les valeurs des émissions de vibration déclarées dans les données techniques et la déclaration de conformité ont été mesurées selon une méthode d'essai standard fournie par la norme EN 60745 et peuvent être utilisées à des fins de comparaison avec d'autres outils. La valeur des émissions de vibrations déclarée peut aussi être utilisée pour une évaluation préliminaire de l'exposition.

Avertissement ! En fonction de la manière dont l'outil est utilisé, la valeur des émissions de vibrations réelles pendant l'utilisation de l'outil peut différer de la valeur déclarée. Le niveau des vibrations peut dépasser le niveau déclaré.

Quand l'exposition aux vibrations est évaluée afin de déterminer les mesures de sécurité requises par la norme 2002/44/CE pour protéger les personnes utilisant régulièrement des outils électriques, cette estimation doit tenir compte des conditions réelles d'utilisation et de la façon dont l'outil est utilisé. Il faut également tenir compte de toutes les composantes du cycle de fonctionnement comme la durée pendant laquelle l'outil est arrêté et quand il fonctionne au ralenti, ainsi que la durée du déclenchement.

Étiquettes sur l'outil

Outre le code date, les symboles suivants sont apposés sur l'outil :



Avertissement ! Pour réduire le risque de blessures, l'utilisateur doit lire le manuel d'instructions.

Sécurité électrique



Cet outil est doublement isolé et ne nécessite donc aucun fil de terre. Vérifiez toujours que l'alimentation électrique correspond à la tension indiquée sur la plaque signalétique.

- ◆ Si le câble d'alimentation est endommagé, il doit être remplacé par le fabricant ou par un centre de réparation agréé Stanley Fat Max afin d'éviter les risques éventuels.

Caractéristiques

Cet outil dispose de tout ou partie des caractéristiques suivantes.

1. Interrupteur à variateur de vitesse
2. Bouton de verrouillage
3. Levier de blocage de lame
4. Dispositif de fixation de lame
5. Plaque de semelle
6. Levier de mise en biseau de la semelle
7. Levier d'armement de la coupe
8. Manchon de la semelle

Assemblage

Avertissement ! Avant l'assemblage, retirez la batterie de l'outil et assurez-vous que la lame est arrêtée. Les lames, après utilisation, peuvent être chaudes.

Installation et retrait de la lame de scie (figure A)

- ◆ Maintenez la lame (11), les dents orientées vers l'avant.
- ◆ Soulevez le levier de blocage de lame (3).
- ◆ Insérez complètement le manche de la lame dans la fixation (4) le plus loin possible.
- ◆ Relâchez le levier.

- ◆ Pour retirer la lame (11), soulevez le levier de blocage de lame (3) et sortez la lame.

Mise en place et retrait du manchon de la semelle (figure B)

Le manchon de semelle anti-rayure (9) doit être utilisé lors de la découpe de surfaces qui se rayent facilement, telles que le contreplaqué, les vernis ou la peinture. Il peut également être utilisé pour protéger la surface de la semelle pendant le transport ou tout simplement pour la ranger.

Pour fixer le manchon de la semelle :

- ◆ Placez l'avant de la plaque de la semelle (5) face au manchon (9).
- ◆ Abaissez l'outil dans le manchon de la semelle (9).. Le manchon se clippe en place sur l'arrière de la semelle.

Pour retirer le manchon de la semelle :

- ◆ Saisissez le manchon de la semelle par le bas au niveau des deux attaches et tirez-le vers le bas, hors de la plaque de la semelle (5).

Utilisation

Avertissement ! Laissez l'outil fonctionner à son propre rythme. Ne le poussez pas au-delà de sa limite.

Avertissement ! N'utilisez jamais l'outil sans sa semelle, ou si celle-ci est desserrée.

Mise en marche et arrêt (figure C)

- ◆ Pour mettre l'outil en marche, appuyez sur l'interrupteur variateur de vitesse (1). La vitesse dépend du degré d'enfoncement de l'interrupteur.
- ◆ Pour faire fonctionner l'outil en mode Continu, appuyez sur le bouton de verrouillage (2) et sur l'interrupteur variateur de vitesse. Cette option n'est disponible qu'à la vitesse maximale.
- ◆ Pour arrêter l'outil, relâchez le variateur de vitesse.
- ◆ Pour arrêter l'outil quand il est en mode continu, appuyez de nouveau sur le variateur de vitesse, puis relâchez-le.

Contrôler la vitesse variable

- ◆ Utilisez la vitesse élevée pour le bois, la vitesse moyenne pour l'aluminium et le PVC et la vitesse lente pour les métaux autres que l'aluminium.

Découpe en biseau (fig. D et E)

La plaque de la semelle peut être installée à un angle biseau-té gauche ou droit allant jusqu'à 45°.

Pour régler l'angle biseauté :

- ◆ Sortez le levier de mise en biseau de la semelle (6) de la scie pour déverrouiller la plaque de la semelle (5).

- ◆ Faites glisser la plaque de la semelle vers l'avant pour lui faire quitter l'angle 0° positif.
- ◆ Réglez l'angle voulu. Utilisez un rapporteur pour vérifier l'exactitude de l'angle.
- ◆ Repoussez le levier de mise en biseau de la semelle (6) vers la scie pour verrouiller la plaque de la semelle (5).

Remarque : Le biseau de la semelle peut être ajusté vers la droite ou la gauche en fonction des crans à 15°, 30° et 45°.

Pour remettre la semelle en mode coupe droite :

- ◆ Sortez le levier de mise en biseau de la semelle (6) de la scie pour déverrouiller la plaque de la semelle (5).
- ◆ Tournez la semelle à un angle de 0° environ, puis tirez-la vers l'arrière pour enclencher le verrouillage sur le 0° positif.
- ◆ Repoussez le levier de mise en biseau de la semelle (6) vers la scie pour verrouiller la plaque de la semelle (5).

Découpe (fig. F)

Cette scie sauteuse est équipée de quatre fonctions de coupe : trois coupes orbitales et une coupe droite. La fonction orbitale offre un mouvement de lame plus agressif et elle est conçue pour la découpe de matières tendres comme le bois ou le plastique. La fonction orbitale offre une coupe plus rapide, mais moins lisse à travers la matière. En mode orbital, la lame avance pendant la découpe, en plus de se déplacer de haut en bas.

Avertissement ! Le métal et les bois durs ne doivent jamais être sciés en mode orbital.

- ◆ Déplacez le levier d'armement de coupe (8) sur l'une des quatre positions de coupe : 0, 1, 2, et 3.
- ◆ La position 0 correspond à la coupe droite.
- ◆ Les positions 1, 2 et 3 correspondent à la coupe orbitale.
- ◆ L'agressivité de la coupe augmente lorsque le levier est réglé sur la position 1 à 3 (3 étant la position de coupe la plus agressive).

Scier

- ◆ Tenez toujours l'outil à deux mains.
- ◆ Laissez la lame fonctionner librement pendant quelques secondes avant de commencer la découpe.
- ◆ N'appliquez qu'une légère pression sur l'outil pendant la découpe.
- ◆ Si possible, travaillez en gardant la plaque de la semelle (5) appuyée contre la pièce à découper. Cela permet de mieux contrôler l'outil et d'atténuer les vibrations, mais évite aussi d'endommager la lame.

Conseils pour une utilisation optimale Généralités

- ◆ Utilisez la vitesse élevée pour le bois, la vitesse moyenne pour l'aluminium et le PVC et la vitesse lente pour les métaux autres que l'aluminium.

Sciage de contreplaqué

Comme la lame de scie coupe en montant, des éclats peuvent se former sur la surface la plus proche de la plaque de la semelle.

- ◆ Utilisez une lame de scie à dents fines.
- ◆ Sciez la pièce par son verso.
- ◆ Pour limiter les éclats, fixez un morceau de bois ou de panneau dur des deux côtés de la pièce et sciez à travers cette épaisseur.

Sciage du métal

Scier du métal prend beaucoup plus de temps que de scier du bois.

- ◆ Utilisez une lame de scie adaptée à la découpe de métal. Utilisez une lame avec des dents fines pour les métaux ferreux et une lame aux dents plus grosses pour les métaux non ferreux.
- ◆ Pour découper une fine épaisseur de métal, fixez une pièce de bois à l'arrière de la surface de la pièce à découper et sciez à travers l'épaisseur.
- ◆ Répartissez un filet d'huile le long de la ligne de coupe prévue.

Accessoires

Les performances de votre outil dépendent de l'accessoire utilisé. Les accessoires Stanley Fat Max sont conçus avec des normes de qualité supérieures afin d'améliorer les performances de votre outil. L'utilisation de ces accessoires vous permet de tirer le meilleur de votre outil.

Cet outil est compatible avec les lames à manche en U ou en T.

Maintenance

Votre outil a été conçu pour fonctionner pendant longtemps avec un minimum d'entretien. Le fonctionnement sans interruption et satisfaisant de l'outil dépend de son bon entretien et de son nettoyage régulier.

Avvertissement ! Éteignez et débranchez l'outil avant toute opération de maintenance.

- ◆ Nettoyez régulièrement les fentes d'aération de l'outil et du chargeur à l'aide d'une brosse souple ou d'un chiffon sec.
- ◆ Nettoyez régulièrement le carter moteur à l'aide d'un chiffon humide. N'utilisez pas de détergents abrasifs ou à base de solvants.
- ◆ Appliquez de temps en temps une goutte d'huile sur l'axe du rouleau de support de lame.

Remplacement des prises principales (RU et Irlande uniquement)

Si une nouvelle prise d'alimentation doit être montée :

- ◆ Jetez l'ancienne prise de façon sûre.

- ◆ Raccordez le fil marron à la borne de phase de la nouvelle prise.

- ◆ Branchez le fil bleu à la borne du neutre.

Avvertissement ! Aucun branchement ne doit être fait à la borne de terre. Suivez les instructions de montage fournies avec les prises de bonne qualité. Fusible recommandé : 5 A.

Protection de l'environnement



Tri sélectif. Ne jetez pas ce produit avec les ordures ménagères.

Si votre outil Stanley Fat Max doit un jour être remplacé ou s'il ne vous est plus utile, ne le jetez pas avec les ordures ménagères. Assurez-vous de rendre ce produit disponible pour le tri sélectif.



Le tri sélectif des produits et des emballages usagés permet de recycler et de réutiliser les matières. La réutilisation de matières recyclées aide à protéger l'environnement contre la pollution et à réduire la demande de matière première.

La réglementation locale peut proposer le tri sélectif des produits électriques domestiques, par leur dépose dans des déchetteries municipales ou chez le détaillant lorsque vous achetez un produit neuf.

Stanley Europe offre une solution permettant la collecte et le recyclage des produits Stanley Fat Max lorsqu'ils ont atteint leur fin de vie. Pour profiter de ce service, veuillez retourner votre produit dans un centre de réparation agréé qui le recyclera en notre nom.

Pour connaître l'adresse du réparateur agréé le plus proche, contactez le bureau Stanley Europe à l'adresse indiquée dans ce manuel. Une liste de réparateurs agréés par Stanley Europe et de plus amples détails sur nos services après-vente et leurs coordonnées sont disponibles sur le site Internet : www.2helpU.com

Caractéristiques techniques

		FME340 (Type 2)
Tension d'entrée	V_{ca}	230
Puissance absorbée	W	710
Vitesse à vide	min^{-1}	0 - 3 200
Longueur de course	mm	20
Profondeur de coupe maximum		
Bois	mm	85
Acier	mm	10
Aluminium	mm	15
Poids	kg	2,74

L_{pA} (pression acoustique) 88,6 dB(A), incertitude (K) 3 dB(A)
L_{WA} (pression acoustique) 99,6 dB(A), incertitude (K) 3 dB(A)
Valeurs totales des vibrations (somme vectorielle triaxiale) selon la norme EN 60745 :
Sciage de planches ($a_{h,B}$) 6,2 m/s^2 , incertitude (K) 1,5 m/s^2
Sciage de métal ($a_{h,M}$) 6,4 m/s^2 , incertitude (K) 1,5 m/s^2

Déclaration de conformité CE

DIRECTIVES MACHINES



Scie sauteuse FME340

Stanley Europe déclare que les produits décrits dans les « Caractéristiques techniques » sont conformes aux normes :

2006/42/CE, EN 60745-1: 2009 + A1 2010,

EN 60745-2-11:2010

Ces produits sont aussi conformes aux directives 2004/108/CE (jusqu'au 19/04/2016), 2014/30/UE (à partir du 20/04/2016) et 2011/65/UE. Pour plus de détails, veuillez contacter Stanley Europe à l'adresse suivante ou reportez-vous au dos du manuel.

Le soussigné est responsable des données de la fiche technique et fait cette déclaration au nom de Stanley Europe.

R. Laverick
Responsable technique
Stanley Fat Max Europe, 210 Bath Road, Slough,
Berkshire, SL1 3YD
Royaume-Uni
21/08/2015

Garantie

Stanley Europe assure la qualité de ses produits et offre aux utilisateurs professionnels une garantie très élargie pour ce produit. Ce certificat de garantie est un document supplémentaire et ne peut en aucun cas se substituer à vos droits contractuels en tant qu'utilisateur privé non professionnel. Cette garantie est valable au sein des territoires des États membres de l'Union Européenne et au sein de la Zone européenne de libre-échange.

GARANTIE TOTALE DE UN AN

Si un produit Stanley Fat Max s'avère défectueux en raison de vices de matières ou de fabrication dans les 12 mois qui suivent la date d'achat, Stanley Europe garantit le remplacement gratuit de toutes les pièces défectueuses ou, à sa discrétion, le remplacement de l'outil, à condition que :

- ◆ Le produit ait été correctement utilisé, conformément aux instructions du manuel.
- ◆ Le produit n'ait subi qu'une usure normale.
- ◆ Aucune réparation n'ait été tentée par des personnes non autorisées.
- ◆ Une preuve d'achat soit fournie.
- ◆ Le produit Stanley Fat Max soit retourné complet avec tous ses composants d'origine.

Pour toute réclamation, contactez votre revendeur ou recherchez l'adresse du réparateur agréé Stanley Fat Max le plus proche dans le catalogue Stanley Fat Max ou contactez l'agence Stanley locale à l'adresse indiquée dans ce manuel. Une liste des réparateurs agréés Stanley Fat Max ainsi que des informations détaillées sur notre service après-vente sont disponibles sur le site Internet : www.stanley.eu/3

Usò previsto

Il seghetto da traforo Stanley Fat Max è stato progettato per segare legno, plastica e lamiera. Questo elettrotensile è stato progettato per uso professionale e privato e per utenti non professionisti.

Istruzioni di Sicurezza

Avvisi di sicurezza generici per gli elettrotensili



Avvertenza! Leggere attentamente tutte le avvertenze e le istruzioni. La mancata osservanza dei presenti avvisi e istruzioni potrebbe causare scosse elettriche, incendi e/o infortuni gravi.

Conservare tutti gli avvertimenti e le istruzioni per consultazioni future Il termine "elettrotensile" che ricorre in tutti gli avvisi seguenti si riferisce ad utensili elettrici con o senza filo.

1. **Sicurezza nella zona di lavoro**
 - a. **Mantenere pulita e bene illuminata l'area di lavoro.** Gli ambienti disordinati o scarsamente illuminati favoriscono gli incidenti.
 - b. **Evitare di usare gli elettrotensili in ambienti esposti a rischio di esplosione, ad esempio in presenza di liquidi, gas o polveri infiammabili.** Gli apparati elettrici creano scintille che possono incendiare le polveri o i fumi.
 - c. **Tenere lontani bambini e astanti mentre si usa un elettrotensile.** Le distrazioni possono provocare la perdita di controllo.
2. **Sicurezza elettrica**
 - a. **Le spine elettriche degli elettrotensili devono essere adatte alla presa. Non modificare la spina in alcun modo. Non collegare un adattatore alla spina di un apparato elettrico dotato di scarico a terra.** Per ridurre il rischio di scossa elettrica evitare di modificare le spine e utilizzare sempre le prese appropriate.
 - b. **Evitare il contatto fisico con superfici collegate a terra, tipo tubi, radiatori, forni e frigoriferi.** Se il proprio corpo è collegato con la terra, il rischio di scossa elettrica aumenta.
 - c. **Custodire gli elettrotensili al riparo dalla pioggia o dall'umidità.** Se l'acqua entra nell'apparato elettrico aumenta il rischio di scossa elettrica.
 - d. **Non utilizzare il cavo in modo improprio. Non utilizzare mai il cavo per spostare, tirare o scollegare l'apparato elettrico. Tenere il cavo elettrico lontano da fonti di calore, olio, bordi taglienti o parti in movimento.** Se il cavo è danneggiato o impigliato, il rischio di scossa elettrica aumenta.
3. **Sicurezza delle persone**
 - a. **È importante concentrarsi su ciò che si sta facendo e maneggiare con giudizio l'elettrotensile. Non utilizzare l'apparato elettrico quando si è stanchi o sotto l'effetto di droghe, alcool o medicinali.** Un solo attimo di distrazione durante l'uso di tali apparati potrebbe provocare gravi lesioni personali
 - b. **Usare l'equipaggiamento di protezione personale. Utilizzare sempre protezioni oculari.** L'uso di abbigliamento di protezione quali mascherine antipolvere, scarpe antinfortunistiche antiscivolo, caschi di sicurezza o protezioni uditive, in condizioni opportune consente di ridurre le lesioni personali.
 - c. **Impedire l'avviamento involontario. Accertarsi che l'interruttore di accensione sia regolato su spento prima di collegare l'elettrotensile all'alimentazione elettrica e/o al battery pack, di prenderlo in mano o di trasportarlo.** Il trasporto di apparati elettrici tenendo il dito sull'interruttore o quando sono collegati alla rete elettrica con l'interruttore nella posizione di acceso provoca incidenti.
 - d. **Prima di accendere un elettrotensile, togliere eventuali utensili o chiavi di regolazione.** Un utensile di regolazione o una chiave fissati su una parte rotante dell'apparato elettrico possono provocare lesioni personali.
 - e. **Non sbilanciarsi. Mantenere sempre un appoggio ed equilibrio adeguati.** Ciò consente un migliore controllo dell'apparato nelle situazioni impreviste.
 - f. **Vestirsi adeguatamente. Non indossare abiti lenti o gioielli. Tenere i capelli, i vestiti e i guanti lontani dalle parti mobili.** Abiti larghi, gioielli o capelli lunghi possono impigliarsi nelle parti in movimento.
 - g. **Se gli elettrotensili sono provvisti di attacchi per il collegamento di dispositivi di aspirazione o di raccolta della polvere, assicurarsi che questi siano installati e utilizzati correttamente.** La raccolta delle polveri può ridurre i pericoli legati a queste ultime.
4. **Usò e cura degli elettrotensili**
 - a. **Non sovraccaricare l'elettrotensile. Utilizzare un apparato adatto al lavoro da eseguire.** L'apparato lavora meglio e con maggior sicurezza se utilizzato secondo quanto è stato previsto.
- e. **Se l'elettrotensile viene adoperato all'aperto, usare esclusivamente prolunghè omologate per l'impiego all'esterno.** L'uso di un cavo elettrico adatto ad ambienti esterni riduce il rischio di scossa elettrica.
- f. **Se non è possibile evitare di lavorare in una zona umida, usare un'alimentazione elettrica protetta da un dispositivo a corrente residua (RCD).** L'uso di un interruttore differenziale riduce il rischio di scossa elettrica.

- b. **Non utilizzare elettrotensili con interruttori difettosi.** Qualsiasi apparato elettrico che non possa essere controllato tramite l'interruttore è pericoloso e deve essere riparato.
- c. **Scollegare la spina dalla presa di corrente e/o il battery pack dall'elettrotensile prima di regolarlo, sostituirne gli accessori o di riporlo.** Queste misure di sicurezza preventive riducono il rischio di azionare l'apparato accidentalmente.
- d. **Quando non vengono usati, gli elettrotensili devono essere custoditi fuori dalla portata dei bambini. Non consentire l'uso dell'elettrotensile a persone inesperte o che non abbiano letto le presenti istruzioni.** Gli apparati elettrici sono pericolosi in mano a persone inesperte.
- e. **Sottoporre gli elettrotensili a regolare manutenzione. Verificare che le parti mobili siano bene allineate e non inceppate, che non vi siano componenti rotti e che non sussistano altre condizioni che possono compromettere il funzionamento dell'elettrotensile. Se danneggiato, far riparare l'apparato elettrico prima dell'uso.** Molti incidenti sono provocati da apparati elettrici su cui non è stata effettuata la corretta manutenzione.
- f. **Mantenere affilati e puliti gli strumenti da taglio.** La manutenzione corretta degli utensili da taglio con bordi affilati riduce le probabilità di inceppamento e ne facilita il controllo.
- g. **Utilizzare l'elettrotensile, gli accessori e le punte in conformità alle presenti istruzioni, tenendo conto delle condizioni di lavoro e del lavoro da completare.** L'utilizzo dell'apparato elettrico per impieghi diversi da quelli previsti può provocare situazioni di pericolo.
5. Assistenza
- a. **Fare riparare l'elettrotensile esclusivamente da personale specializzato e solo usando pezzi di ricambio originali.** In questo modo viene garantita la sicurezza dell'apparato elettrico.

Altri avvisi di sicurezza per gli elettrotensili



Avvertenza! Avvisi di sicurezza addizionali per i segchetti da traforo e le seghie alternative

- ◆ **Sostenere l'apparato con supporti aventi superfici isolanti quando si eseguono lavorazioni in cui la parte tagliente potrebbe toccare cavi elettrici nascosti o il cavo di alimentazione dell'accessorio di taglio.** Gli accessori da taglio che vengono a contatto con un cavo sotto tensione trasmettono la corrente elettrica anche alle parti metalliche esposte dell'apparato e possono provocare la folgorazione dell'operatore.

- ◆ **Usare morse o altri metodi pratici per fissare e bloccare il pezzo da lavorare ad una piattaforma stabile.** Tenere il lavoro con le mani o contro il corpo non assicura la stabilità e potrebbe portare ad una perdita del controllo.
- ◆ **Tenere le mani lontane dalla zona di taglio.** Non allungare mai le mani sotto il pezzo. Non infilare le dita o il pollice in prossimità della lama alternativa e del blocco lama. Non stabilizzare la sega afferrando la guida.
- ◆ **Mantenere le lame affilate.** Lame spuntate o danneggiate possono causare la deviazione o lo spegnimento della sega sotto sforzo. Usare sempre il tipo di lama adatto al materiale da tagliare e al tipo di taglio.
- ◆ **Quando si taglia un tubo o una conduttura, accertarsi sempre che al loro interno non vi siano acqua o fili elettrici.**
- ◆ **Non toccare il pezzo o la lama subito dopo aver fatto funzionare l'elettrotensile.** Possono diventare molto caldi.
- ◆ **Essere consapevoli che vi possono essere dei pericoli nascosti: prima di praticare tagli in pareti, pavimenti o soffitti, controllare l'ubicazione di cablaggi e tubazioni.**
- ◆ **La lama continua a muoversi dopo aver rilasciato l'interruttore.** Prima di appoggiare l'elettrotensile, spegnerlo e attendere che la lama si fermi completamente.

Avvertenza! Il contatto o l'inalazione della polvere generata dal taglio potrebbe nuocere alla salute dell'operatore e di eventuali astanti. Indossare una mascherina antipolvere specifica per polveri e fumi e controllare che anche le persone presenti o in arrivo nella zona di lavoro siano adeguatamente protette.

- ◆ L'utilizzo previsto è indicato nel presente manuale. Se questo elettrotensile viene impiegato con accessori o per usi diversi da quelli raccomandati nel presente manuale, potrebbero verificarsi lesioni personali e/o danni alle cose.

Sicurezza altrui

- ◆ Questo elettrotensile non è stato progettato per impiego da parte di persone (o bambini) portatrici di handicap fisici, psichici o sensoriali o che non abbiano la dovuta esperienza o conoscenza, a meno che non siano seguite o opportunamente istruite sul suo impiego da parte di una persona responsabile della loro sicurezza.
- ◆ I bambini devono essere sorvegliati per assicurarsi che non giochino con l'apparecchio.

Rischi residui.

L'utilizzo dell'apparecchio può comportare altri rischi non contemplati negli avvisi di sicurezza qui riportati. Tali rischi possono sorgere a seguito di un uso prolungato o improprio, ecc. Pur osservando le norme di sicurezza e utilizzando dispositivi di protezione adeguati, certi rischi non possono essere evitati.

Sono inclusi:

- ◆ Lesioni causate o subite a seguito del contatto con parti rotanti/in movimento.
- ◆ Lesioni causate o subite durante la sostituzione di parti, lame o accessori.
- ◆ Lesioni causate dall'impiego prolungato di un elettrotensile. Quando si usa qualsiasi apparecchio per lunghi periodi, accertarsi di fare regolarmente delle pause.
- ◆ Menomazioni uditive.
- ◆ Rischi per la salute causati dall'aspirazione di polvere generata dall'utilizzo dell'elettrotensile (ad esempio quando si lavora con il legno, in modo particolare quello di quercia, faggio o l'MDF.)

Vibrazioni

I valori dichiarati delle emissioni di vibrazioni, indicati nei dati tecnici e nella dichiarazione di conformità del presente manuale, sono stati misurati in base al metodo di test standard previsto dalla normativa EN 60745 e possono essere usati come paragone tra un attrezzo e un altro. Il valore delle emissioni di vibrazioni dichiarato può anche essere usato come valutazione preliminare dell'esposizione.

Avvertenza! Il valore delle emissioni di vibrazioni durante l'impiego effettivo dell'elettrotensile può variare da quello dichiarato a seconda delle modalità d'uso. Il livello delle vibrazioni può aumentare oltre quello dichiarato.

Quando si valuta l'esposizione alle vibrazioni per determinare le misure di sicurezza richieste dalla normativa 2002/44/CE destinata alla protezione delle persone che usano regolarmente gli elettrotensili nello svolgimento delle proprie mansioni, è necessario prendere in considerazione le condizioni effettive di utilizzo e il modo in cui l'utensile è usato, oltre a tenere in conto tutte le componenti del ciclo operativo, vale a dire i periodi in cui l'elettrotensile è spento, quelli in cui è acceso ma a riposo e quelli in cui è effettivamente utilizzato.

Etichette sull'apparato

Sull'elettrotensile sono presenti i seguenti simboli assieme al codice data:



Avvertenza! Per ridurre il rischio di infortuni, l'utente deve leggere il manuale d'uso.

Sicurezza elettrica



Il doppio isolamento di cui è provvisto l'elettrodomestico rende superfluo il filo di terra. La fornitura del voltaggio e della corrente deve essere conforme alle specifiche indicate sulla targa.

- ◆ In caso di danneggiamento del filo di alimentazione, è necessario farlo riparare dal fabbricante o presso un centro assistenza Stanley Fat Max autorizzato in modo da evitare eventuali pericoli.

Caratteristiche

Questo elettrodomestico presenta alcune o tutte le seguenti caratteristiche.

1. Interruttore a velocità variabile
2. Pulsante di bloccaggio
3. Leva di bloccaggio lama seghetto
4. Blocca lama
5. Piastra piedino scorrimento lama
6. Leva piedino per taglio a unghia
7. Leva selezione tipo di taglio
8. Rivestimento piedino scorrimento lama

Assemblaggio

Avvertenza! Prima dell'assemblaggio, togliere la batteria dall'elettrotensile e accertarsi che la lama della sega si sia fermata. In quanto può essere calda.

Montaggio e smontaggio della lama del seghetto (fig. A)

- ◆ Tenere la lama del seghetto (11) con i denti rivolti in avanti.
- ◆ Sollevare la leva di bloccaggio della lama del seghetto (3).
- ◆ Infilare completamente il gambo della lama del seghetto (4) nel relativo morsetto.
- ◆ Sbloccare la leva.
- ◆ Per togliere la lama del seghetto (11), sollevare la leva di bloccaggio (3) ed estrarre la lama.

Montaggio e rimozione del rivestimento del piedino scorrimento lama (fig. B)

Il rivestimento antigraffio del piedino scorrimento lama (9) deve essere usato quando si tagliano superfici che si possono graffiare facilmente, tipo laminati, piallacci o verniciature. Esso può anche essere usato per proteggere la superficie del piedino scorrimento lama durante il trasporto e quando si ripone l'elettrotensile.

Montaggio del rivestimento del piedino scorrimento lama:

- ◆ posizionare la parte anteriore della piastra del piedino scorrimento lama (5) davanti al relativo rivestimento (9).
- ◆ Abbassare l'elettrotensile nel rivestimento del piedino scorrimento lama (9). Il rivestimento del piedino scorrimento lama si aggancerà in modo ben saldo nella parte posteriore del piedino stesso.

Smontaggio del rivestimento del piedino scorrimento lama:

- ◆ Afferrare dal basso le due linguette posteriori del rivestimento del piedino scorrimento lama e tirare in giù allontanandolo dalla piastra del piedino (5).

Utilizzo

Avvertenza! Lasciare che l'elettrotensile funzioni al suo ritmo. Non sovraccaricarlo.

Avvertenza! Non usare mai l'elettrotensile quando il piedino scorrimento lama è allentato o è stato smontato.

Accensione e spegnimento (fig. C)

- ◆ Per accendere l'elettrotensile, premere l'interruttore a velocità variabile (1). La velocità dell'elettrotensile dipende dalla pressione esercitata sull'interruttore.
- ◆ Per il funzionamento continuo, premere il pulsante di bloccaggio (2) e quindi l'interruttore a velocità variabile. Questa opzione è disponibile solo alla velocità massima.
- ◆ Per spegnere l'elettrotensile, rilasciare l'interruttore di accensione a velocità variabile.
- ◆ Per spegnere l'elettrotensile durante il funzionamento continuo, premere ancora una volta l'interruttore a velocità variabile e rilasciarlo.

Comando velocità variabile

- ◆ Usare una velocità alta per il legno, media per l'alluminio e il PVC e bassa per i metalli diversi dall'alluminio.

Taglio a unghia (figg. D ed E)

La piastra del piedino scorrimento lama può essere regolata per il taglio a unghia verso destra o verso sinistra fino a un massimo di 45°.

Impostazione dell'angolo di smusso:

- ◆ Tirare verso l'esterno la leva del piedino per taglio a unghia (6) per allontanarla dal seghetto e sbloccare in tal modo la piastra del piedino scorrimento lama (5).
- ◆ Infilare la piastra del piedino scorrimento lama in avanti per rilasciarla dalla posizione di arresto positivo di 0°.
- ◆ Regolare la piastra del piedino scorrimento lama in base all'angolo di smusso richiesto. Usare un goniometro per verificare la precisione dell'angolo.
- ◆ Spingere indietro la leva di bloccaggio del piedino scorrimento lama (6) verso il seghetto per bloccare il piedino (5).

Nota: È possibile inclinare la piastra di appoggio a sinistra o a destra alle posizioni preimpostate di 15°, 30° e 45°.

Regolazione della piastra del piedino scorrimento lama per i tagli dritti:

- ◆ Tirare verso l'esterno la leva del piedino per taglio a unghia (6) per allontanarla dal seghetto e sbloccare in tal modo la piastra del piedino scorrimento lama (5).
- ◆ Ruotare il piedino scorrimento lama su un angolo di 0° circa e spingerlo indietro per innestare l'arresto positivo di 0°.
- ◆ Spingere indietro la leva di bloccaggio del piedino scorrimento lama (6) verso il seghetto per bloccare il piedino (5).

Tipo di taglio (fig. F)

Questo seghetto alternativo è munito di quattro azioni di taglio, tre orbitali e uno dritto. L'azione orbitale presenta un movimento più aggressivo della lama ed è progettato per il taglio di materiali morbidi, come il legno o la plastica. L'azione orbitale esegue un taglio più veloce, ma meno uniforme attraverso il materiale. Nel caso del taglio orbitale, durante la corsa di taglio, la lama si sposta in avanti oltre a sollevarsi e ad abbassarsi.

Avvertenza! non tagliare mai metalli o materiali in legno duro con l'azione orbitale.

- ◆ Spostare la leva di selezione del tipo di taglio (8) tra le quattro posizioni di taglio: 0, 1, 2 e 3.
- ◆ La posizione 0 è per il taglio dritto.
- ◆ Le posizioni 1, 2 e 3 sono per il taglio orbitale.
- ◆ L'aggressività del taglio aumenta man mano che la leva viene regolata da uno a tre, dove tre è il taglio più aggressivo.

Taglio

- ◆ Tenere sempre l'elettrotensile con entrambe le mani.
- ◆ Prima di iniziare a tagliare, lasciare che la lama ruoti liberamente per alcuni secondi.
- ◆ Esercitare solo una leggera pressione sull'elettrotensile mentre si esegue il taglio.
- ◆ Se possibile, lavorare con la piastra del piedino scorrimento lama (5) premuta contro il pezzo. In questo modo si esercita un maggior controllo sull'elettrotensile, riducendo al tempo stesso le vibrazioni e si evita anche che la lama subisca danni.

Consigli per un utilizzo ottimale Generali

- ◆ Usare una velocità alta per il legno, media per l'alluminio e il PVC e bassa per i metalli ad eccezione dell'alluminio.

Taglio dei laminati

Dato che la lama taglia sulla corsa verso l'alto, si potrebbe verificare la scheggiatura della superficie più vicina al piedino scorrimento lama.

- ◆ Usare una lama da seghetto con denti sottili.
- ◆ Segare dalla parte posteriore del pezzo da lavorare.

- ◆ Per contenere al massimo la scheggiatura, fissare con un morsetto un pezzo di legno o di cartone da ambo i lati del pezzo da lavorare e segare i tre strati insieme.

Taglio del metallo

Tenere presente che la segatura del metallo richiede molto più tempo di quella del legno.

- ◆ Usare una lama da sega idonea alla segatura del metallo. Usare una lama a denti sottili per i metalli ferrosi e una con i denti più grossi per quelli non ferrosi.
- ◆ Quando si taglia un foglio di lamiera sottile, fissare con dei morsetti un pezzo di legno sulla superficie posteriore del pezzo da lavorare e tagliare i due strati insieme.
- ◆ Spalmare un velo d'olio lungo la traccia del taglio.

Accessori

Le prestazioni dell'elettrotensile dipendono dall'accessorio usato. Gli accessori Stanley Fat Max sono fabbricati secondo standard qualitativi elevati e sono stati progettati per ottenere le migliori prestazioni dall'elettrotensile. Utilizzando questi accessori si otterrà il meglio dall'elettrotensile.

Questo elettrotensile può essere utilizzato con lame da seghetto con gambo a "U" o a "T".

Manutenzione

Questo elettrotensile è stato progettato per funzionare a lungo con una manutenzione minima. Prestazioni sempre soddisfacenti dipendono da una cura appropriata e da una pulizia regolare.

Avvertenza! Prima di eseguire operazioni di manutenzione, spegnere l'elettrotensile ed estrarre la spina dalla presa di corrente.

- ◆ Pulire regolarmente le prese di ventilazione dell'elettrotensile e dell'alimentatore con un pennello o con un panno morbido e asciutto.
- ◆ Il vano del motore deve essere pulito regolarmente con un panno umido. Non usare materiali abrasivi o detergenti a base di solventi.
- ◆ Versare di tanto in tanto una goccia d'olio sull'asse del rullo di supporto della lama.

Sostituzione della spina (solo Regno Unito e Irlanda)

Se è necessario installare una nuova spina:

- ◆ Smaltire in sicurezza quella vecchia.
- ◆ Collegare il filo marrone al morsetto sotto tensione della nuova spina.
- ◆ Collegare il filo blu al morsetto neutro.

Avvertenza! Non deve essere effettuato nessun collegamento al terminale di messa a terra. Seguire le istruzioni di montaggio fornite con spine di buona qualità. Fusibile raccomandato: 5 A.

Protezione dell'ambiente



Raccolta differenziata. Questo prodotto non deve essere smaltito con i normali rifiuti domestici.

Nel caso in cui l'apparecchio Stanley Fat Max debba essere sostituito o non sia più necessario, non smaltirlo con i normali rifiuti domestici. Smaltirlo tramite la raccolta differenziata.



La raccolta differenziata di prodotti usati e imballaggi permette il riciclo e il riutilizzo dei materiali. Il riutilizzo dei materiali riciclati aiuta a prevenire l'inquinamento ambientale e riduce la domanda di materiali grezzi.

Secondo le normative locali, la raccolta differenziata di prodotti elettrici può avvenire a domicilio, presso le sedi di raccolta comunali oppure presso il rivenditore al momento dell'acquisto di un nuovo prodotto.

Stanley Europe offre ai propri clienti la possibilità di riciclare i prodotti Stanley Fat Max che hanno esaurito la loro vita di servizio. Per sfruttare questo servizio, restituire il prodotto a qualsiasi agente di riparazione autorizzato che lo ritirerà per vostro conto.

Per individuare il tecnico autorizzato più vicino, rivolgersi alla sede Stanley Europe locale, presso il recapito indicato nel presente manuale. Altrimenti, un elenco completo di tutti i tecnici autorizzati Stanley Europe e i dettagli completi sui contatti e i servizi post-vendita sono disponibili su Internet all'indirizzo: www.2helpU.com

Dati tecnici

Tensione in ingresso	V_{ac}	230
Potenza assorbita	W	710
Velocità a vuoto	min^{-1}	0 - 3.200
Profondità max. taglio	mm	20
Profondità max. del taglio		
Legno	mm	85
Acciaio	mm	10
Alluminio	mm	15
Peso	kg	2,74

L_{PA} (pressione sonora) 88,6 dB(A), incertezza (K) 3 dB(A)
L_{WA} (pressione acustica) 99,6 dB(A), incertezza (K) 3 dB(A)
Valori totali vibrazioni (somma vettoriale triassiale) in base a EN 60745:
Taglio di assi ($a_{h,B}$) 6,2 m/s^2 , incertezza (K) 1,5 m/s^2
Taglio della lamiera ($a_{h,M}$) 6,4 m/s^2 , incertezza (K) 1,5 m/s^2

Dichiarazione di conformità CE**DIRETTIVA MACCHINE**

Seghetto alternativo FME340

Stanley Europe dichiara che questi prodotti descritti al paragrafo "Dati tecnici" sono conformi a:

2006/42/EC, EN 60745-1: 2009 + A1 2010,

EN 60745-2-11:2010

Questi prodotti sono conformi alle Direttive 2004/108/CE (fino al 19/04/2016), 2014/30/UE (dal 20/04/2016) e 2011/65/UE. Per ulteriori informazioni contattare Stanley Europe al seguente indirizzo oppure consultare l'ultima di copertina del manuale.

Il sottoscritto è responsabile della redazione di questo documento tecnico e rilascia questa dichiarazione per conto di

Stanley Europe.

R. Laverick
Engineering Manager
Stanley Fat Max Europe, 210 Bath Road, Slough,
Berkshire, SL1 3YD
Regno Unito
21/08/2015

Garanzia

Certa della qualità dei suoi prodotti, Stanley Europe offre una garanzia eccezionale agli utenti professionali di questo prodotto. Il presente certificato di garanzia è complementare ai diritti contrattuali come utente privato non professionale e non li pregiudica in alcun modo. La garanzia è valida sui territori degli stati membri dell'Unione Europea o dell'EFTA (Associazione europea di libero scambio).

GARANZIA TOTALE DI UN ANNO

Se un prodotto Stanley Fat Max risulta difettoso per qualità del materiale, della costruzione o per mancata conformità entro 12 mesi dalla data di acquisto, Stanley Europe garantisce, a sua discrezione, la sostituzione gratuita di tutte le parti difettose oppure la sostituzione gratuita del prodotto sempre che:

- ◆ il prodotto non sia stato usato in modo improprio ma in conformità al manuale d'uso.
- ◆ il prodotto sia stato usato in modo ragionevole;
- ◆ il prodotto non sia stato sottoposto a riparazioni da parte di persone non autorizzate;
- ◆ venga fornita la prova comprovante l'acquisto;
- ◆ il prodotto Stanley Fat Max venga reso completo con tutti i componenti originali

Se si desidera sporgere un reclamo, rivolgersi al rivenditore di zona oppure controllare l'indirizzo del tecnico Stanley autorizzato più vicino nel catalogo Stanley Fat Max o contattare la sede Stanley Fat Max presso il recapito indicato nel presente manuale. Un elenco completo di tutti i tecnici autorizzati Stanley Fat Max e i dettagli completi sui servizi post-vendita sono disponibili su Internet all'indirizzo: www.stanley.eu/3

Bedoeld gebruik

Uw Stanley Fat Max-decoupeerzaag is ontworpen voor het zagen van hout, kunststof en plaatmetaal. Dit gereedschap is bedoeld voor professionele gebruikers en voor privé-gebruik.

Instructies voor de veiligheid

Algemene veiligheidswaarschuwingen voor elektrisch gereedschap



Waarschuwing! Lees alle veiligheidswaarschuwingen en alle instructies. Wanneer de volgende waarschuwingen en voorschriften niet in acht worden genomen, kan dit een elektrische schok, brand of ernstig letsel tot gevolg hebben.

Bewaar alle waarschuwingen en instructies als referentiemateriaal. Det hierna gebruikte term 'elektrisch gereedschap' in alle waarschuwingen die hieronder worden vermeld, heeft betrekking op elektrische gereedschap voor gebruik op de netspanning (met netsnoer) of op een accu (snoerloos).

1. Veilige werkomgeving

- Houd uw werkomgeving schoon en opgeruimd.** Op rommelige of donkere plekken zullen sneller ongelukken gebeuren.
- Gebruik elektrisch gereedschap niet in een omgeving met explosiegevaar, zoals in de nabijheid van brandbare vloeistoffen, gasen of stof.** Elektrische gereedschap veroorzaakt vonken die het stof of de dampen kunnen doen ontbranden.
- Houd kinderen en omstanders tijdens het gebruik van elektrisch gereedschap op afstand.** Als u wordt afgeleid, kunt u de controle over het gereedschap verliezen.

2. Elektrische veiligheid

- De netstekker van het gereedschap moet in het stopcontact passen. Pas de stekker nooit op enige manier aan. Gebruik geen adapterstekkers in combinatie met geaard elektrisch gereedschap.** Niet-aangepaste stekkers en passende contactdozen verminderen het risico van een elektrische schok.
- Vermijd aanraking van het lichaam met geaarde oppervlakken, bijv. leidingen, radiateurs, fornuizen en koelkasten.** Er bestaat een verhoogd risico van een elektrische schok als uw lichaam contact heeft met aarde.
- Stel het gereedschap niet bloot aan regen en vocht.** Als er water in een elektrisch gereedschap dringt, verhoogt dit het risico van een elektrische schok.
- Behandel het snoer voorzichtig. Gebruik het snoer nooit om het elektrische gereedschap te dragen of naar u toe te trekken, of de stekker uit het stopcontact te halen.**

Houd het snoer uit de buurt van warmte, olie, scherpe randen, of bewegende onderdelen. Beschadigde snoeren of snoeren die in de war zijn geraakt, verhogen het risico van een elektrische schok.

- Gebruik, wanneer u buitenshuis met elektrisch gereedschap werkt, alleen verlengsnoeren die zijn goedgekeurd voor gebruik buitenshuis.** Het gebruik van een verlengsnoer dat geschikt is voor buitenshuis, vermindert het risico van een elektrische schok.
 - Als u met elektrisch gereedschap werkt op een vochtige locatie, gebruik dan een aardlekschakelaar (RCD).** Het gebruik van een aardlekschakelaar vermindert het risico van een elektrische schok.
- Persoonlijke veiligheid**
 - Blijf alert, let goed op wat u doet en ga met verstand te werk bij het gebruik van elektrisch gereedschap. Gebruik het gereedschap niet als u vermoeid bent of onder de invloed van drugs, alcohol of medicatie bent.** Een moment van onoplettendheid tijdens het bedienen van elektrisch gereedschap kan leiden tot ernstig persoonlijk letsel.
 - Draag persoonlijke beschermende uitrusting. Draag altijd oogbescherming.** Beschermende uitrusting, zoals een stofmasker, antislip veiligheidsschoenen, een helm, of gehoorbescherming, gebruikt in de juiste omstandigheden, zal het risico op persoonlijk letsel verminderen.
 - Zorg ervoor dat het gereedschap niet per ongeluk kan worden ingeschakeld. Controleer dat de schakelaar in de uit-stand staat voordat u het gereedschap aansluit op het stopcontact en/of de accu plaatst en voordat u het gereedschap optilt of gaat dragen.** Het dragen van elektrisch gereedschap met uw vinger op de schakelaar of het aanzetten van elektrisch gereedschap waarvan de schakelaar aan staat, kan leiden tot ongelukken.
 - Verwijder instelgereedschap of schroefslutels voordat u het gereedschap inschakelt.** Een instelgereedschap of sleutel in een draaiend deel van het gereedschap kan tot verwondingen leiden.
 - Reik niet te ver. Blijf altijd stevig en in balans op de grond staan.** Dit zorgt voor betere controle over het elektrisch gereedschap in onverwachte situaties.
 - Draag geschikte kleding. Draag geen loszittende kleding of sieraden. Houd uw haar, kleding en handschoenen uit de buurt van bewegende onderdelen.** Loszittende kleding, sieraden of lang haar kunnen door bewegende delen worden gegrepen.
 - Als stofafzuigings- of stofopvangvoorzieningen kunnen worden gemonteerd, is het belangrijk dat u controleert dat ze goed zijn aangesloten en op juiste wijze worden gebruikt.** Het gebruik van stofafzuiging kan aan stof gerelateerde gevaren verminderen.

4. Gebruik en onderhoud van elektrisch gereedschap

- a. **Overbelast het gereedschap niet. Gebruik het juiste elektrische gereedschap voor uw toepassing.** Met het juiste elektrische gereedschap kunt u de werkzaamheden waarvoor het gereedschap is ontworpen, beter en veiliger uitvoeren.
- b. **Gebruik het elektrisch gereedschap niet wanneer de schakelaar niet goed werkt.** Ieder gereedschap dat niet met de schakelaar kan worden bediend, is gevaarlijk en moet worden gerepareerd.
- c. **Trek de stekker uit het stopcontact en/of de accu uit het elektrisch gereedschap voordat u het gereedschap instelt, toebehoren wisselt of het gereedschap opbergt.** Dergelijke preventieve veiligheidsmaatregelen verminderen het risico dat het elektrische gereedschap per ongeluk opstart.
- d. **Bewaar niet-gebruikte elektrische gereedschappen buiten bereik van kinderen. Laat het gereedschap niet gebruiken door personen die er niet vertrouwd mee zijn en deze aanwijzingen niet hebben gelezen.** Elektrisch gereedschap is gevaarlijk in handen van ongetrainde gebruikers.
- e. **Onderhoud het gereedschap goed. Controleer of bewegende delen van het gereedschap correct functioneren en niet klemmen, en of er onderdelen zodanig zijn gebroken of beschadigd dat de werking van het gereedschap nadelig wordt beïnvloed. Laat het gereedschap voor gebruik repareren als het beschadigd is.** Veel ongelukken worden veroorzaakt door slecht onderhouden elektrisch gereedschap.
- f. **Houd zaag- en snijdgereedschap scherp en schoon.** Goed onderhouden snijdgereedschap met scherpe snijvlakken lopen minder snel vast en zijn gemakkelijker te onder controle te houden.
- g. **Gebruik elektrisch gereedschap, toebehoren, zaagjes en boortjes, enz., volgens deze aanwijzingen. Let daarbij op de arbeidsomstandigheden en de uit te voeren werkzaamheden.** Gebruik van het elektrische gereedschap voor werkzaamheden die anders zijn dan het bedoelde gebruik, kunnen leiden tot een gevaarlijke situatie.

5. Service

- a. **Laat het gereedschap repareren door gekwalificeerd en vakkundig personeel en alleen met originele vervangende onderdelen.** Dit zorgt ervoor dat de veiligheid van het gereedschap gewaarborgd blijft.

- ◆ **Houd het gereedschap alleen vast aan geïsoleerde oppervlakken, wanneer u een handeling uitvoert waarbij het accessoire van het zaaggereedschap in contact kan komen met verborgen bedrading of het eigen netsnoer.** Accessoires van zaaggereedschap die in contact komen met bedrading die onder stroom staat, kunnen metalen onderdelen van het gereedschap onder stroom zetten en de gebruiker een elektrische schok geven.
- ◆ **Zet het werkstuk met klemmen of op een andere praktische manier vast en ondersteun het werkstuk op een stabiele ondergrond.** Wanneer u het werkstuk vasthoudt met de hand of het tegen uw lichaam gedrukt houdt, is het instabiel en kunt u de controle verliezen.
- ◆ **Blijf met uw handen uit de buurt van het zaaggebied.** Steek nooit, om welke reden dan ook, een hand onder het werkstuk. Blijf met uw vingers en duim uit de buurt van het heen en weer bewegende blad en van de heen en weer bewegende bladklem. Houd de zaag niet in evenwicht door de zool vast te houden.
- ◆ **Houd zaagbladen scherp.** Door botte of beschadigde zaagbladen kan de zaag onder druk afwijken of blijven steken. Gebruik altijd een zaagblad dat geschikt is voor het materiaal van het werkstuk en het soort zaagsnede.
- ◆ **Controleer, wanneer u een pijp of een leiding gaat doorzagen, dat deze geen water, elektrische bedrading, enz., bevat.**
- ◆ **Raak het werkstuk of het zaagblad niet direct na het werken met het gereedschap aan.** Zij kunnen zeer heet worden.
- ◆ **Wees bedacht op verborgen gevaren. Controleer waar zich bedrading en leidingen bevinden voordat u in muren, vloeren of plafonds zaagt.**
- ◆ **Het zaagblad staat niet onmiddellijk stil wanneer u de schakelaar loslaat.** Schakel het gereedschap altijd uit en wacht tot het zaagblad volledig tot stilstand is gekomen voordat u het gereedschap neerlegt.

Waarschuwing! Contact met of inademing van het stof dat bij het zagen vrijkomt, kan de gezondheid van de gebruiker en omstanders schaden. Draag een stofmasker dat speciaal is ontworpen ter bescherming tegen stof en dampen, en zorg ervoor dat andere personen op de werkplek ook zijn beschermd.

- ◆ Het bedoeld gebruik wordt beschreven in deze gebruiksaanwijzing. Het gebruik van accessoires of hulpstukken of uitvoering van andere handelingen met dit gereedschap dan die in deze instructiehandleiding worden aanbevolen, kan leiden tot persoonlijk letsel en/of materiële schade.

Aanvullende veiligheidswaarschuwingen voor elektrisch gereedschap



Waarschuwing! Aanvullende veiligheidswaarschuwingen voor decoupeerzagen en reciprozagen

Veiligheid van anderen

- ◆ Dit gereedschap is niet bedoeld voor gebruik door personen (inclusief kinderen) met een verminderde fysieke, sensorische of mentale vermogens, of met een gebrek aan ervaring en kennis, tenzij zij onder toezicht staan of instructie over het gebruik van dit gereedschap hebben ontvangen van iemand die verantwoordelijk is voor hun veiligheid.
- ◆ Houd toezicht op kinderen zodat zij niet met het apparaat kunnen spelen.

Overige risico's.

Er kunnen zich nog meer risico's voordoen bij het gebruik van dit gereedschap, die mogelijk niet in de bijgesloten veiligheids-waarschuwingen worden beschreven. Deze risico's kunnen zich voordoen als gevolg van onoordeelkundig gebruik, langdurig gebruik, enz.

Zelfs wanneer de veiligheidsvoorschriften in acht worden genomen en de veiligheidshulpmiddelen worden gebruikt, kunnen bepaalde risico's niet worden vermeden. Dit zijn onder meer:

- ◆ Verwondingen die worden veroorzaakt door aanraking van draaiende/bewegende onderdelen.
- ◆ Verwondingen die worden veroorzaakt bij het vervangen van onderdelen, zaagbladen of accessoires.
- ◆ Verwondingen die worden veroorzaakt door langdurig gebruik van gereedschap. Wanneer u langere periodes met het gereedschap werkt, kunt u het beste regelmatig een pauze nemen.
- ◆ Gehoorbeschadiging.
- ◆ Gezondheidsrisico's door het inademen van stof dat vrijkomt bij gebruik van uw gereedschap (bijv.: het werken met hout, vooral eiken, beuken en MDF.)

Trillingen

De aangegeven waarden voor trillingsemisatie in de technische gegevens en de conformiteitsverklaring zijn gemeten conform een standaardtestmethode die door EN 60745 wordt geboden. Hiermee kan het ene gereedschap met het andere worden vergeleken. De aangegeven waarde voor trillingsemisatie kan ook worden gebruikt bij een voorlopige bepaling van blootstelling.

Waarschuwing! De waarde voor trillingsemisatie tijdens het werkelijke gebruik van het gereedschap kan verschillen van de aangegeven waarde afhankelijk van de manieren waarop het gereedschap wordt gebruikt. Het trillingsniveau kan hoger worden dan het aangegeven niveau.

Wanneer de blootstelling aan trillingen wordt vastgesteld ten einde veiligheidsmaatregelen te bepalen die worden vereist door 2002/44/EG ter bescherming van personen die tijdens hun werk regelmatig elektrische gereedschappen gebruiken, moet bij een schatting van de blootstelling aan trillingen rekening worden gehouden met de werkelijke omstandigheden van het gebruik en de manier waarop het gereedschap wordt gebruikt. Daarbij moet ook rekening worden gehouden met alle stappen in de gebruikscyclus, zoals het moment waarop het gereedschap wordt uitgeschakeld en wanneer het gereedschap stationair loopt alsook de aanlooptijd.

Etiketten op het gereedschap

Naast de datumcode is het gereedschap voorzien van de volgende symbolen:



Waarschuwing! De gebruiker moet de instructiehandleiding lezen om het risico op letsel te verminderen.

Elektrische veiligheid



Dit gereedschap is dubbel geïsoleerd. Een aardaansluiting is daarom niet noodzakelijk. Controleer altijd of de stroomvoorziening overeenkomt met de voltage op het typeplaatje.

- ◆ Als het netsnoer is beschadigd, moet dit worden vervangen door de fabrikant of door een officieel Stanley Fat Max-servicecentrum, zodat ongelukken worden voorkomen.

Onderdelen

Dit gereedschap is voorzien van enkele of alle van de volgende functies.

1. Schakelaar voor variabele snelheid aan/uit
2. Vergrendelknop/Aan-knop
3. Vergrendelingshendel voor zaagblad
4. Bladklem
5. Zoolplaat
6. Hendel voor instellen zaaghoek zool
7. Hendel voor instellen zaagbeweging
8. Zoolafdekking

Montage

Waarschuwing! Verwijder voor montage de accu van het gereedschap en controleer dat het zaagblad niet meer beweegt. Zaagbladen die kort tevoren in gebruik zijn geweest, kunnen heet zijn.

Het zaagblad aanbrengen en verwijderen (fig. A)

- ◆ Houd het zaagblad (11) vast met de tanden naar voren.
- ◆ Trek de vergrendelingshendel voor het zaagblad (3) omhoog.

- ◆ Plaats de zaagbladschacht volledig, zo ver mogelijk, in de bladklem (4).
- ◆ Laat de hefboom los.
- ◆ Als u het zaagblad (11) wilt verwijderen, trekt u de vergrendelingshendel (3) voor het zaagblad omhoog en trekt u het zaagblad uit.

De zoolafdekking bevestigen en verwijderen (fig. B)

De niet-krassende zoolafdekking (9) moet worden gebruikt bij het zagen van oppervlakken die bekrast kunnen raken, zoals laminaat, fineer of geverfde oppervlakken. De afdekking kan ook worden gebruikt om het zooloppervlak te beschermen tijdens transport en opslag.

Als u de zoolafdekking wilt bevestigen:

- ◆ plaats de voorkant van de zoolplaat (5) in de voorkant van de zoolafdekking (9).
- ◆ Laat het gereedschap in de zoolafdekking zakken (9). De zoolafdekking klikt vast in de achterkant van de zool.

Als u de zoolafdekking wilt verwijderen:

- ◆ Pak de zoolafdekking aan de onderzijde vast aan de twee achterste lipjes en trek de zoolafdekking vervolgens omlaag zodat deze los komt van de zool (5).

Gebruik van het apparaat

Waarschuwing! Laat het gereedschap op zijn eigen snelheid werken. Overbelast het apparaat niet.

Waarschuwing! Gebruik het gereedschap nooit als de zaagschoen los zit of is verwijderd.

In- en uitschakelen (afb. C)

- ◆ U schakelt het gereedschap in door op de schakelaar met variabele snelheden (1) te drukken. De snelheid van het gereedschap wordt bepaald door de mate waarin u de schakelaar indrukt.
- ◆ Het gereedschap blijft continu aan als de inschakelvergrendelknop (2) samen met de schakelaar voor variabele snelheid wordt ingedrukt. Deze optie is alleen beschikbaar bij maximale snelheid.
- ◆ U schakelt het gereedschap uit door de schakelaar variabele snelheid los te laten.
- ◆ U kunt de continuustand deactiveren door in de continuustand de schakelaar met variabele snelheden weer even in te drukken en los te laten.

Variabele snelheidsregeling

- ◆ Gebruik een hoge snelheid voor hout, een gemiddelde snelheid voor aluminium en pvc, en een lage snelheid voor andere metalen dan aluminium.

Zagen onder verstek (afb. D & E)

De zool kan onder een linker- of rechterhoek van maximaal 45° worden geplaatst.

Als u de zaaghoek wilt instellen:

- ◆ Trek de hendel (6) voor het instellen van de zaaghoek van de zool uit en los van de zaag zodat u de zool kunt ontgrendelen (5).
- ◆ Schuif de zool naar voren zodat deze loskomt uit de 0°-stand.
- ◆ Zet de zool in de gewenste zaaghoek. Controleer de zaaghoek met een gradenboog.
- ◆ Zet de zool (5) vast door de zoolvergrendelingshendel (6) terug tegen de zaag te zetten.

Opmerking: U kunt de zool naar links en naar rechts schuin zetten in de standen 15°, 30° en 45°.

Als u de zool opnieuw wilt afstellen voor recht zagen:

- ◆ Trek de hendel (6) voor het instellen van de zaaghoek van de zool uit en los van de zaag zodat u de zool (5) kunt ontgrendelen.
- ◆ Draai de zool naar een hoek van ongeveer 0° en trek de zool vervolgens naar achteren en vergrendel deze in de 0°-stand.
- ◆ Duw de hendel voor het instellen van de zaaghoek van de zool weer (6) richting de zaag en vergrendel zo de zool (5).

Zaagbeweging (afb. F)

De decoupeerzaag heeft vier zaagfuncties, drie rond en één recht. De ronde zaagwerking heeft een agressievere zaagbladbeweging en is ontworpen voor het zagen van zachte materialen zoals hout en kunststof. De ronde zaagwerking geeft een snellere zaagbeweging, maar een minder gelijkmatige zaagsnede door het materiaal. Bij zagen in een cirkel beweegt het blad tijdens het schaven niet alleen omhoog en omlaag, maar ook naar voren.

Waarschuwing! Metaal en hardhout moet u nooit rond zagen.

- ◆ Verplaats de hendel voor het instellen van de zaagbeweging (8) tussen de vier zaagstanden: 0, 1, 2 en 3.
- ◆ Positie 0 is voor recht zagen.
- ◆ Posities 1, 2 en 3 zijn voor rond zagen.
- ◆ De agressiviteit van de zaagsnede neemt toe naarmate de hendel wordt verzet van één naar drie, waarbij drie de meest agressieve zaagsnede is.

Zagen

- ◆ Houd het gereedschap altijd met beide handen vast.
- ◆ Laat het zaagblad een paar seconden vrij bewegen voordat u begint te zagen.
- ◆ Oefen slechts geringe druk op het gereedschap uit terwijl u zaagt.

- ◆ Druk, als dat mogelijk is, de zool (5) tijdens het zagen altijd tegen het werkstuk. Hierdoor hebt u meer controle over het gereedschap en treden minder trillingen op. Bovendien wordt zo voorkomen dat het zaagblad beschadigd raakt.

Tips voor optimaal gebruik Algemeen

- ◆ Gebruik een hoge snelheid voor hout, een gemiddelde snelheid voor aluminium en pvc, en een lage snelheid voor andere metalen dan aluminium.

Gelaagde materialen zagen

Omdat het zaagblad tijdens de opwaartse slag zaagt, kan er splintervorming optreden bij het vlak dat zich het dichtst bij de zool bevindt.

- ◆ Gebruik een zaagblad met fijne tanden.
- ◆ Zaag vanaf het achterste oppervlak van het werkstuk.
- ◆ U kunt splintervorming beperken door een stuk afvalhout of hardboard aan weerszijden van het werkstuk te klemmen en door al deze lagen heen te zagen.

Metaal zagen

Houd er rekening mee dat het zagen bij metaal veel meer tijd kost dan bij hout.

- ◆ Gebruik een zaagblad dat geschikt is voor het zagen van metaal. Gebruik een zaagblad met fijne tanden voor ijzerhoudende metalen en een ruwer zaagblad voor non-ferrometalen.
- ◆ Klem bij het zagen van dun plaatmetaal een stuk afvalhout tegen het achterste oppervlak van het werkstuk en zaag door deze lagen heen.
- ◆ Breng een oliefilm aan langs de gewenste zaaglijn.

Accessoires

De prestaties van het gereedschap zijn afhankelijk van de gebruikte accessoires. Accessoires van Stanley Fat Max zijn geconstrueerd naar hoge kwaliteitsnormen en zijn ontworpen om de prestaties van uw gereedschap te verbeteren. Door middel van deze accessoires kunt u uw gereedschap nog beter laten presteren.

Dit gereedschap is geschikt voor zaagbladen met een U- of T-schacht.

Onderhoud

Uw gereedschap is ontworpen om gedurende een lange periode te functioneren met een minimum aan onderhoud. Het continu naar tevredenheid functioneren hangt af van de juiste zorg voor het gereedschap en regelmatig schoonmaken.

Waarschuwing! Schakel de machine uit en haal de stekker uit het stopcontact voordat er onderhoud wordt uitgevoerd.

- ◆ Reinig de ventilatieopeningen van het gereedschap en de lader regelmatig met een zachte borstel of een droge doek.

- ◆ Reinig de behuizing van de motor regelmatig met een vochtige doek. Gebruik niet een schurend schoonmaakmiddel of een schoonmaakmiddel op basis van een oplosmiddel.
- ◆ Breng van tijd tot tijd een druppel olie aan op de as van de zaagbladsteunrol.

Netstekker vervangen (alleen UK. en Ierland)

Als er een nieuwe netstekker moet worden gemonteerd:

- ◆ Gooi de oude stekker op verantwoorde wijze weg.
- ◆ Sluit de bruine draad aan op de spanningvoerende pool van de nieuwe stekker.
- ◆ Sluit de blauwe draad aan op de neutrale pool.

Waarschuwing! Er moet geen verbinding tot stand worden gebracht met de aardeaansluiting. Volg de bevestigingsinstructies die bij stekkers van goede kwaliteit worden geleverd. Aanbevolen zekering: 5 A.

Het milieu beschermen



Gescheiden afvalinzameling. Dit product mag niet bij het normale huishoudelijke afval worden aangeboden.

Als u op een dag ontdekt dat het Stanley Fat Max-product aan vervanging toe is, of dat u het apparaat niet meer nodig hebt, gooi het dan niet bij het huishoudelijke afval. Bied dit product aan bij de gescheiden afvalinzameling.



Gescheiden inzameling van gebruikte producten en verpakkingsmaterialen maakt het mogelijk materialen te recyclen en opnieuw te gebruiken. Het hergebruik van gerecycled materiaal helpt milieuvuiling te voorkomen en vermindert de vraag naar grondstoffen.

Plaatselijke bepalingen voorzien mogelijk in de gescheiden inzameling van elektrische huishoudelijke producten, op gemeentelijke inzamelpunten of bij de leverancier waar u een nieuw product aanschaft.

Stanley Europe biedt de mogelijkheid tot het recyclen van afgedankte Stanley Fat Max-producten. Stuur als u van deze service gebruik wilt maken uw product terug naar iedere erkende reparateur die namens ons de verzameling op zich neemt.

U kunt het adres van het dichtstbijzijnde Stanley Europe-servicecentrum opvragen via de adressen op de achterzijde van deze handleiding. U kunt ook een lijst van officiële Stanley Europe-servicecentra en meer informatie over onze klantenservice en contactpersonen vinden op het volgende internetadres: www.2helpU.com

Technische gegevens

		FME340 (Type 2)
Ingangsspanning	V_{ac}	230
Vermogen	W	710
Snelheid onbelast	min^{-1}	0 - 3.200
Slaglengte	mm	20
Max. zaagdiepte		
Hout	mm	85
Staal	mm	10
Aluminium	mm	15
Gewicht	kg	2.74

L_{pA} (geluidsdruk) 88,6 dB(A), onzekerheid (K) 3 dB(A)
L_{WA} (geluidsvermogen) 99,6 dB(A), onzekerheid (K) 3 dB(A)
Totale trillingwaarden (som triaxvector) volgens EN 60745:
Planken zagen ($a_{h,B}$) 6,2 m/s^2 , meetonzekerheid (K) 1,5 m/s^2
Plaatmetaal zagen ($a_{h,M}$) 6,4 m/s^2 , meetonzekerheid (K) 1,5 m/s^2

EG-conformiteitverklaring
RICHTLIJN VOOR MACHINES



Decoupeerzaag FME340

Stanley Europe verklaart dat deze producten, die worden beschreven onder "Technische gegevens", voldoen aan:

2006/42/EG, EN 60745-1: 2009 + A1 2010,

EN 60745-2-11:2010

Deze producten voldoen tevens aan richtlijn 2004/108/EG (tot 19-04-2016) 2014/30/EU (vanaf 20-04-2016) en 2011/65/EU. Neem voor meer informatie contact op met Stanley Europe op het volgende adres of raadpleeg de achterzijde van de handleiding.

Ondergetekende is verantwoordelijk voor de compilatie van het technische bestand en geeft deze verklaring namens

Stanley Europe af.

R. Laverick
Engineering Manager
Stanley Fat Max Europe, 210 Bath Road, Slough,
Berkshire, SL1 3YD
Verenigd Koninkrijk
21-08-2015

Garantie

Stanley Europe heeft vertrouwen in haar producten en biedt een uitstekende garantie voor professionele gebruikers van het product. Deze garantieverklaring is een aanvulling op, en vormt op geen enkele wijze een beperking van, uw contractuele rechten als private niet-professionele gebruiker. De garantie is geldig op het grondgebied van de Lidstaten van de Europese Unie en de Europese Vrijhandelszone.

EEN JAAR VOLLEDIGE GARANTIE

Als uw Stanley Fat Max-product binnen 12 maanden na aankoop defect raakt ten gevolge van materiaal- of constructiefouten, dan garandeert Stanley Europe de kosteloze vervanging van defecte onderdelen, de reparatie van het product of – naar eigen inzicht – de vervanging van het product, indien wordt voldaan aan de volgende voorwaarden:

- ◆ Het product is niet verkeerd gebruikt en is gebruikt in overeenstemming met de instructiehandleiding.
- ◆ Het product is blootgesteld aan slijtage of gebruik;
- ◆ Er zijn geen reparaties of pogingen tot reparatie uitgevoerd door niet-geautoriseerde personen;
- ◆ Bewijs van aanschaf kan worden overlegd.
- ◆ Het Stanley Fat Max-product wordt compleet geretourneerd met alle originele onderdelen

Wilt u aanspraak maken op de garantie, neem dan contact op met uw leverancier, ga naar het Stanley Fat Max-centrum bij u in de buurt (u vindt het adres in de Stanley Fat Max-catalogus) of neem contact op met de Stanley Fat Max-vestiging waarvan het adres wordt vermeld in deze handleiding. Er is ook een lijst van Stanley Fat Max -servicecentra en meer informatie over onze klantenservice te vinden op het volgende internet-adres: www.stanley.eu/3

Uso previsto

La sierra de calar Fat Max de Stanley ha sido diseñada para serrar madera, plástico y planchas de metal. Esta herramienta ha sido concebida para usuarios profesionales y para usuarios no profesionales privados.

Instrucciones de seguridad

Advertencias de seguridad generales para herramientas eléctricas



Advertencia Lea todas las advertencias de seguridad y todas las instrucciones. En caso de no atenderse a las siguientes advertencias e instrucciones de seguridad, podría producirse una descarga eléctrica, incendio o lesión grave.

Guarde todas las advertencias e instrucciones para futuras consultas. El término "herramienta eléctrica" empleado en las advertencias a continuación hace referencia a la herramienta eléctrica con alimentación de red (con cable) o alimentada por batería (sin cable).

1. **Seguridad del área de trabajo**
 - a. **Mantenga limpia y bien iluminada el área de trabajo.** Las áreas en desorden u oscuras pueden provocar accidentes.
 - b. **No utilice herramientas eléctricas en entornos con peligro de explosión, como aquellos en los que haya líquidos, gases o polvos inflamables.** Las herramientas eléctricas originan chispas que pueden inflamar el polvo o los gases.
 - c. **Mantenga alejados a los niños y a otras personas del área de trabajo al emplear la herramienta eléctrica.** Las distracciones pueden ocasionar que pierda el control.
2. **Seguridad eléctrica**
 - a. **El enchufe de la herramienta eléctrica debe corresponder a la toma de corriente. No modifique nunca el enchufe de ninguna forma. No utilice ningún enchufe adaptador con las herramientas eléctricas conectadas a tierra.** Los enchufes no modificados y las tomas de corriente correspondientes reducirán el riesgo de descarga eléctrica.
 - b. **Evite que su cuerpo toque partes conectadas a tierra como tuberías, radiadores, cocinas y refrigeradores.** Existe un mayor riesgo de descarga eléctrica si su propio cuerpo está conectado a tierra.
 - c. **No exponga las herramientas eléctricas a la lluvia ni a condiciones de humedad.** Si entra agua a una herramienta eléctrica aumentará el riesgo de descarga eléctrica.
3. **Seguridad personal**
 - a. **Esté atento a lo que hace y emplee la herramienta eléctrica con prudencia. No maneje una herramienta eléctrica cuando esté cansado o bajo los efectos de drogas, medicamentos o alcohol.** Un momento de falta de atención cuando se manejan las herramientas eléctricas puede ocasionar lesiones personales graves.
 - b. **Utilice un equipo de protección personal. Utilice siempre protección ocular.** El uso del equipo protector como mascarillas antipolvo, calzado antideslizante, casco o protección auditiva para condiciones apropiadas reducirá las lesiones personales.
 - c. **Impida que la herramienta se ponga en marcha accidentalmente. Asegúrese de que el interruptor se encuentre en la posición de apagado antes de conectar la herramienta a la fuente de alimentación o a la batería, o de coger o transportar la herramienta.** El transportar herramientas eléctricas con el dedo puesto en el interruptor o herramientas eléctricas activadoras que tengan el interruptor encendido puede provocar accidentes.
 - d. **Retire las herramientas de ajuste o llaves fijas antes de encender la herramienta eléctrica.** Dejar una llave inglesa u otra llave puesta en una pieza en movimiento de la herramienta eléctrica puede ocasionar lesiones personales.
 - e. **Sea precavido. Mantenga un equilibrio adecuado y la estabilidad constantemente.** Esto permite un mejor control de la herramienta eléctrica en situaciones inesperadas.
 - f. **Lleve puesta una vestimenta de trabajo adecuada. No se ponga ropa suelta o joyas. Mantenga el cabello, la ropa y los guantes alejados de las piezas en movimiento.** La ropa suelta, las joyas y el pelo largo pueden quedar atrapados en las piezas en movimiento.
- d. **Cuide el cable de alimentación. No use nunca el cable para transportar, tirar de la herramienta eléctrica o desenchufarla. Mantenga el cable alejado del calor, aceite, bordes afilados y piezas en movimiento.** Los cables dañados o enredados aumentan el riesgo de descarga eléctrica.
- e. **Al trabajar con la herramienta eléctrica en la intemperie utilice solamente cables de prolongación homologados para su uso en exteriores.** La utilización de un cable adecuado para el uso en exteriores reduce el riesgo de descarga eléctrica.
- f. **Si la utilización de una herramienta eléctrica en un lugar húmedo es inevitable, utilice una fuente protegida con un dispositivo de corriente residual (RCD).** El uso de un dispositivo de corriente residual reduce el riesgo de descarga eléctrica.

- g. **Siempre que sea posible utilice unos equipos de aspiración o captación de polvo, asegúrese de que estén bien montados y de que se utilicen correctamente.** El uso de equipo de recogida de polvo puede reducir los riesgos relacionados con el polvo.
4. **Uso y cuidado de herramientas eléctricas**
- a. **No sobrecargue la herramienta eléctrica. Use la herramienta eléctrica correcta para su trabajo.** La herramienta eléctrica correcta funcionará mejor y con mayor seguridad si se utiliza de acuerdo con sus características técnicas.
- b. **No utilice herramientas eléctricas con interruptor defectuoso.** Toda herramienta eléctrica que no pueda controlarse con el interruptor es peligrosa y debe ser reparada.
- c. **Desconecte el conector de la herramienta eléctrica de la fuente de alimentación y la batería antes de realizar cualquier ajuste, cambiar accesorios o guardar la herramienta.** Dichas medidas de seguridad preventivas reducen el riesgo de poner en marcha accidentalmente la herramienta eléctrica.
- d. **Guarde las herramientas eléctricas fuera del alcance de los niños y de las personas que no estén familiarizadas con su uso o que no hayan leído las presentes instrucciones.** Las herramientas eléctricas son peligrosas en manos de personas no capacitadas.
- e. **Realice el mantenimiento de sus herramientas eléctricas. Controle si funcionan correctamente, sin atascarse, las partes móviles de la herramienta eléctrica, y si existen partes rotas o deterioradas que pudieran afectar al funcionamiento de la herramienta. Si la herramienta eléctrica está dañada, llévela para que sea reparada antes de utilizarla.** Se ocasionan muchos accidentes por el mal mantenimiento de las herramientas eléctricas.
- f. **Mantenga las herramientas de corte limpias y afiladas.** Hay menos probabilidad de que las herramientas de cortar con bordes afilados se bloqueen, y son más fáciles de controlar.
- g. **Utilice la herramienta eléctrica, los accesorios, los útiles de la herramienta, etc. de acuerdo con estas instrucciones, y tenga en cuenta las condiciones de trabajo y la tarea que va a realizar.** El uso de la herramienta eléctrica para operaciones que no sean las previstas puede ocasionar una situación peligrosa.
5. **Servicio**
- a. **Esta herramienta eléctrica debe ser reparada solo por personal técnico autorizado que emplee exclusivamente piezas de repuesto originales.** Así se asegurará que se mantenga la seguridad de la herramienta eléctrica.

Advertencias de seguridad adicionales para herramientas eléctricas



Advertencia Advertencias de seguridad adicionales para sierras de calar y sierras alternativas

- ◆ **Sostenga la herramienta eléctrica por las empuñaduras aisladas cuando realice una operación en la que el accesorio de corte pueda entrar en contacto con un cable oculto o con su propio cable.** El contacto de los accesorios de corte con un cable cargado, puede cargar las partes metálicas expuestas de la herramienta eléctrica y producir una descarga eléctrica al operador.
 - ◆ **Utilice un tornillo de banco u otro método práctico para asegurar y sujetar la pieza de trabajo a una plataforma estable.** Si sostiene la pieza de trabajo con las manos o con su cuerpo, esta estará inestable y podrá hacer que usted pierda el control.
 - ◆ **Mantenga las manos alejadas de la zona de corte y de la hoja.** No ponga nunca la mano bajo la pieza de trabajo. No introduzca los dedos en los alrededores de la cuchilla de movimiento alternativo ni en el enganche de esta. No establezca la sierra agarrando la zapata.
 - ◆ **Mantenga las cuchillas afiladas.** Las hojas flojas o dañadas pueden provocar que la sierra dé un viraje brusco o se paralice al ejercer la presión para el corte. Utilice siempre el tipo de hoja de sierra apropiado para cada material de trabajo y tipo de corte.
 - ◆ **Al cortar tuberías o conductos, asegúrese de que no contengan restos de agua, cableado eléctrico, etc.**
 - ◆ **No toque la pieza de trabajo ni la hoja inmediatamente después de utilizar la herramienta.** Pueden alcanzar temperaturas muy elevadas.
 - ◆ **Tenga en cuenta los peligros ocultos, antes de serrar paredes, suelos o techos, compruebe la ubicación del cableado y las cañerías.**
 - ◆ **La hoja seguirá moviéndose después de soltar el interruptor.**
Apague la herramienta y espere siempre a que la hoja se detenga completamente antes de dejar la herramienta.
- Advertencia** El contacto o la inhalación del polvo procedente de las aplicaciones de corte de la sierra puede poner en peligro la salud del usuario y de cualquier otra persona que se encuentre alrededor. Utilice una mascarilla antipolvo diseñada específicamente para proteger contra el polvo y los vapores y asegúrese de que las demás personas que se encuentren dentro del área de trabajo o que vayan a entrar en ella también estén protegidas.
- ◆ En este manual se describe el uso previsto. La utilización de accesorios o dispositivos auxiliares o la realización de operaciones distintas a las recomendadas en este manual de instrucciones para esta herramienta puede presentar riesgo de lesiones personales y/o de daños materiales.

Seguridad de terceros

- ◆ Las personas (incluidos niños) con capacidades físicas, sensoriales o mentales disminuidas o que carezcan de experiencia y conocimientos no deben utilizar esta herramienta, salvo que hayan recibido supervisión o formación con respecto al uso del aparato por parte de una persona responsable de su seguridad.
- ◆ Los niños deberán permanecer vigilados para asegurarse de que no jueguen con el aparato.

Riesgos residuales.

El uso de esta herramienta puede producir riesgos residuales adicionales no incluidos en las advertencias de seguridad adjuntas. Estos riesgos se pueden generar por un uso incorrecto, demasiado prolongado, etc.

El cumplimiento de las normas de seguridad correspondientes y el uso de dispositivos de seguridad no evitan ciertos riesgos residuales. Esto incluye:

- ◆ Lesiones producidas por el contacto con piezas móviles o giratorias.
- ◆ Lesiones producidas al cambiar cualquier pieza, cuchilla o accesorio.
- ◆ Lesiones producidas al usar una herramienta por un tiempo demasiado prolongado. Si utiliza una herramienta durante períodos de tiempo demasiado prolongados, asegúrese de realizar pausas con frecuencia.
- ◆ Deterioro auditivo.
- ◆ Riesgos para la salud producidos al respirar el polvo que se genera cuando se utiliza la herramienta (ejemplo: en los trabajos con madera, especialmente si son de roble, haya y tableros de densidad mediana).

Vibración

Los valores de emisión de vibraciones declarados en el apartado de características técnicas y en la declaración de conformidad se han calculado según un método de prueba estándar proporcionado por la norma EN 60745 y podrán utilizarse para comparar una herramienta con otra. El valor de emisión de vibraciones especificado también puede utilizarse en una evaluación preliminar de la exposición.

Advertencia El valor de emisión de vibraciones durante el funcionamiento real de la herramienta eléctrica puede diferir del valor declarado en función de cómo se utilice dicha herramienta. El nivel de las vibraciones puede aumentar por encima del nivel declarado.

Al evaluar la exposición a las vibraciones con el fin de determinar las medidas de seguridad que exige la norma 2002/44/CE para proteger a las personas que utilizan periódicamente herramientas eléctricas en el entorno laboral, deberá tenerse en cuenta una estimación de la exposición a las vibraciones, las condiciones de uso reales y el modo de empleo de la herramienta, así como los pasos del ciclo operativo como, por ejemplo, el número de veces que la herramienta se apaga, el tiempo que está parada y el tiempo de activación.

Etiquetas en la herramienta

Junto con el código de la fecha, en la herramienta aparecen los siguientes símbolos:



Advertencia Para reducir el riesgo de lesiones, el usuario debe leer el manual de instrucciones.

Seguridad eléctrica



Esta herramienta lleva un doble aislamiento; por lo tanto, no requiere una toma de tierra. Compruebe siempre que el voltaje suministrado corresponda al indicado en la placa de características.

- ◆ Si se dañara el cable de alimentación, deberá ser sustituido por el fabricante o un centro de asistencia técnica autorizado de Stanley Fat Max para evitar cualquier situación de riesgo.

Características

Esta herramienta incluye parte o la totalidad de estas características.

1. Interruptor de velocidad variable
2. Botón de bloqueo
3. Palanca de bloqueo de la hoja de sierra
4. Enganche de la hoja
5. Base
6. Palanca de biselado de la base
7. Palanca de la acción de corte
8. Zapata para la base

Ensamblaje

Advertencia Antes de proceder al montaje, extraiga la batería de la herramienta y asegúrese de que la hoja de sierra se haya detenido. Después de utilizar la sierra, es posible que la hoja esté caliente.

Colocación y extracción de la hoja de sierra (fig. A)

- ◆ Sujete la hoja de sierra (11) con los dientes orientados hacia delante.
- ◆ Eleve la palanca de bloqueo de la hoja de sierra (3) hacia arriba.
- ◆ Introduzca el vástago de la hoja en el enganche de la hoja (4) completamente hasta que encaje.

- ◆ Suelte la palanca.
- ◆ Para extraer la hoja de sierra (11), eleve la palanca de bloqueo de la hoja de sierra (3) hacia arriba y tire de la hoja hacia fuera.

Montaje y desmontaje del protector de zapata (Fig. B)

El protector de zapata contra arañazos (9) se debe utilizar para cortar superficies que se rayan fácilmente, como laminado, chapa o pintura. También se puede utilizar para proteger la superficie de la base durante el transporte y almacenamiento de la herramienta.

Para colocar el protector de zapata:

- ◆ Coloque el frente de la base (5) en la parte frontal del protector de zapata (9).
- ◆ Baje la herramienta hasta el protector de zapata (9). El protector de zapata se encaja firmemente en la parte trasera de la zapata.

Para extraer el protector de zapata:

- ◆ Sujete el protector de zapata desde abajo por las dos lengüetas traseras y empuje hacia abajo y hacia afuera desde la base (5).

Uso

Advertencia Deje que la herramienta funcione a su ritmo. No la sobrecargue.

Advertencia Nunca utilice la herramienta si la zapata de la sierra no está montada y correctamente apretada.

Encendido y apagado (fig. C)

- ◆ Para encender la herramienta, pulse el interruptor de velocidad variable (1). La velocidad depende de la presión que se aplique al interruptor.
- ◆ Para un funcionamiento continuo, pulse el botón de bloqueo (2) y presione el interruptor de velocidad variable. Esta opción está disponible solamente a velocidad máxima.
- ◆ Para apagar la herramienta, suelte el interruptor de velocidad variable.
- ◆ Para apagar la herramienta mientras esté activado el funcionamiento continuo, vuelva a pulsar el interruptor de velocidad variable y suéltelo.

Control de la velocidad variable

- ◆ Utilice la velocidad alta para madera, la media para aluminio y PVC y la baja para metales diferentes al aluminio.

Cortes en ángulo (fig. D y E)

Es posible ajustar la base a un ángulo en bisel izquierdo o derecho de hasta 45°.

Para ajustar el ángulo de bisel:

- ◆ Tire de la palanca de biselado de la base (6) hacia fuera de la hoja para desbloquear la base (5).
- ◆ Deslice la base hacia adelante para soltarla de la posición de parada positiva de 0°.
- ◆ Ajuste la base hasta el ángulo de bisel requerido. Utilice un transportador para comprobar la precisión del ángulo.
- ◆ Eche hacia atrás la palanca de bloqueo de la base (6) en dirección de la sierra para bloquear la base (5).

Nota: El pie podrá biselarse hacia la izquierda o la derecha y tiene muescas en 15°, 30° y 45°.

Para reajustar la base para cortes rectos:

- ◆ Tire de la palanca de biselado de la base (6) hacia fuera de la hoja para desbloquear la base (5).
- ◆ Gire la base en un ángulo aproximado de 0° y, a continuación, empujela hacia atrás hasta que encaje en la parada positiva de 0°.
- ◆ Eche hacia atrás la palanca de bloqueo de la base (6) en dirección de la sierra para bloquear la base (5).

Acción de corte (fig.F)

Esta sierra de vaivén está equipada con cuatro acciones de corte, tres orbitales y una recta. La acción orbital tiene un movimiento de cuchilla más agresivo y se destina al corte de materiales blandos como la madera o el plástico. La acción orbital ofrece un corte más rápido, pero con un corte menos fácil por el material. En la acción orbital, durante el corte la hoja se mueve hacia adelante además de realizar el movimiento arriba y abajo.

Advertencia Los metales o maderas duras no deben cortarse nunca con la acción orbital.

- ◆ Mueva la palanca de acción de corte (8) entre las cuatro posiciones de corte: 0, 1, 2 y 3.
- ◆ La posición 0 corresponde al corte recto.
- ◆ Las posiciones 1, 2 y 3 corresponden al corte orbital.
- ◆ La agresividad del corte aumenta a medida que la palanca se va ajustando en la posición uno a tres, siendo la tercera el corte más agresivo.

Serrado

- ◆ Sujete siempre la herramienta con las dos manos.
- ◆ Deje que la hoja gire libremente durante unos segundos antes de empezar a cortar.
- ◆ Aplique solamente un poco de presión a la herramienta mientras realiza el corte.
- ◆ Si es posible, trabaje con la base (5) presionada contra la pieza de trabajo. Así mejorará su control sobre la herramienta y reducirá las vibraciones; además, evitará que la hoja se dañe.

Consejos por un uso óptimo Información general

- ◆ Utilice la velocidad alta para madera, la velocidad media para aluminio y PVC y la velocidad baja para metales diferentes al aluminio.

Serrado de material laminado

Debido a que la hoja de sierra efectúa el corte durante el movimiento hacia arriba, es posible que la superficie más cercana a la base se pueda astillar.

- ◆ Utilice una hoja de sierra con dientes pequeños.
- ◆ Sierre desde la superficie trasera de la pieza de trabajo.
- ◆ Para minimizar el astillado de la superficie, sujete una placa de madera desechable o de conglomerado a ambos lados de la pieza de trabajo y sierre el conjunto.

Serrado de metal

Tenga en cuenta que serrar metal lleva mucho más tiempo que serrar madera.

- ◆ Utilice una hoja apropiada para serrar metal. Utilice una hoja de sierra con dientes pequeños para metales ferrosos y una hoja de dentado grueso para metales no ferrosos.
- ◆ Cuando corte una plancha de metal delgada, sujete un tablero o trozo de madera en la parte trasera de la pieza de trabajo y corte el conjunto.
- ◆ Extienda una película de aceite a lo largo de la línea que va a cortar.

Accesorios

El funcionamiento de la herramienta dependerá del accesorio que se utilice. Los accesorios Stanley Fat Max han sido fabricados siguiendo elevados estándares de calidad y han sido diseñados para mejorar el funcionamiento de la herramienta. Con estos accesorios, sacará el máximo provecho a su herramienta.

Esta herramienta es apropiada tanto para las hojas de sierra con vástago de una sola leva como para las universales.

Mantenimiento

La herramienta ha sido diseñada para que funcione durante un largo período de tiempo con un mantenimiento mínimo. El funcionamiento satisfactorio y continuo depende del buen cuidado de la herramienta y de una limpieza frecuente.

Advertencia Antes de realizar cualquier tarea de mantenimiento, apague y desenchufe la herramienta.

- ◆ Limpie de forma periódica las ranuras de ventilación de la herramienta y el cargador con un cepillo blando o un paño seco.
- ◆ Limpie periódicamente la carcasa del motor con un paño húmedo. No utilice limpiadores de base abrasiva ni disolventes.
- ◆ De vez en cuando, aplique un poco de aceite en el eje principal del rodillo de apoyo de la hoja.

Sustitución del enchufe para la red eléctrica (sólo para Reino Unido e Irlanda)

Si debe ajustarse un nuevo enchufe de red:

- ◆ Deseche el enchufe anterior según las normas de seguridad.
- ◆ Conecte el cable marrón al terminal conductor del nuevo enchufe.
- ◆ Conecte el cable azul al terminal neutro.

Advertencia No deberá realizar ninguna conexión al terminal de tierra. Siga las instrucciones de ajuste suministradas con las tomas de buena calidad. Fusible recomendado: 5 A.

Protección del medio ambiente



Recogida selectiva. Este producto no debe desecharse con los residuos domésticos normales.

Si llegase el momento en que fuese necesario sustituir su producto Stanley Fat Max o si este dejase de tener utilidad para usted, no lo deseche junto con los residuos domésticos. Saque el producto para la recogida selectiva.



La recogida selectiva de productos usados y embalajes permite que los materiales sean reciclados y utilizados nuevamente.

La reutilización de los materiales reciclados ayuda a prevenir la contaminación ambiental y reduce la demanda de materias primas.

Las normas locales pueden contemplar la recogida selectiva de los electrodomésticos en vertederos municipales o a través de los vendedores minoristas al comprar un producto nuevo.

Stanley Europe proporciona facilidades para la recogida y reciclado de los productos Stanley Fat Max que han llegado al final de su vida útil. Para beneficiar de este servicio devuelva su producto a un agente de reparaciones autorizado, que lo recogerá en nuestro nombre.

Puede consultar la dirección de su agente de servicio técnico más cercano si se pone en contacto con la oficina local de Stanley Europe en la dirección que se indica en este manual. Como alternativa puede consultar la lista de servicios técnicos autorizados de Stanley Europe y obtener la información completa de nuestros servicios de posventa y los contactos disponibles en www.2helpU.com

Datos técnicos

		FME340 (Tipo 2)
Voltaje de entrada	V_{ac}	230
Potencia de entrada	W	710
Velocidad en vacío	min^{-1}	0 - 3,200
Longitud de carrera	mm	20
Profundidad máxima de corte		
Madera	mm	85
Acero	mm	10
Aluminio	mm	15
Peso	kg	2,74

La persona que firma a continuación es responsable de la elaboración del archivo técnico y realiza esta declaración en

nombre de Stanley Europe.



R. Laverick

Director de ingeniería

Stanley Fat Max Europe, 210 Bath Road, Slough,

Berkshire, SL1 3YD

Reino Unido

21/08/2015

Garantía

Stanley Europe confía plenamente en la calidad de sus productos y ofrece una garantía extraordinaria destinada a usuarios profesionales del producto. Esta declaración de garantía es adicional y en ningún caso afecta a sus derechos legales como usuario no profesional privado. La garantía es válida dentro de los territorios de los Estados Miembros de la Unión Europea y del Área de Libre Comercio Europea.

UN AÑO DE GARANTÍA TOTAL

Si un producto Stanley Fat Max resultara defectuoso debido a materiales o mano de obra defectuosos, Stanley Europe garantiza, dentro de los 12 meses de la fecha de compra, la sustitución de las piezas defectuosas sin cargo alguno o, según nuestro criterio, la sustitución de la unidad sin cargo alguno siempre que:

- ◆ El producto no se haya sometido a un uso inadecuado y se haya utilizado de acuerdo con este manual de instrucciones.
- ◆ El producto se haya sometido a un desgaste y rotura razonables.
- ◆ Personal no autorizado no haya intentado reparar el producto.
- ◆ Se aporte prueba de compra.
- ◆ Se devuelva el producto Stanley Fat Max completo con todos los componentes originales

Si desea realizar una reclamación, póngase en contacto con su vendedor o consulte la dirección de su servicio técnico especializado autorizado de Stanley Fat Max más cercano que aparece en el catálogo de Stanley Fat Max o póngase en contacto con la oficina de Stanley en la dirección que se indica en este manual. Puede consultar la lista de servicios técnicos autorizados de Stanley Fat Max y obtener la información completa de nuestros servicios de posventa en la siguiente dirección de Internet: www.stanley.eu/3

L_{pA} (presión acústica) 88,6 dB(A), incertidumbre (K) 3 dB(A)
L_{WA} (potencia acústica) 99,6 dB(A), incertidumbre (K) 3 dB(A)
Valores totales de vibración (suma vectorial triaxial) de acuerdo con la norma EN 60745:
Corte de tablonces ($a_{h,B}$) 6.2 m/s^2 , incertidumbre (K) 1.5 m/s^2
Corte de planchas de metal ($a_{h,M}$) 6.4 m/s^2 , incertidumbre (K) 1.5 m/s^2

Declaración de conformidad CE

DIRECTIVA SOBRE MÁQUINAS



Sierra caladora FME340

Stanley Europe declara que los productos descritos en la „ficha técnica“ cumplen con las siguientes directrices:

2006/42/CE, EN 60745-1: 2009 + A1 2010,

EN 60745-2-11:2010

Estos productos también cumplen las Directivas 2004/108/CE (hasta el 19/04/2016), 2014/30/UE (desde el 20/04/2016) y 2011/65/UE. Si desea obtener más información, póngase en contacto con Stanley Europe a través de la siguiente dirección o consulte el dorso del manual.

Utilização pretendida

A sua serra eléctrica Stanley Fat Max foi concebida para serrar madeira, plástico e chapas metálicas. Esta ferramenta destina-se a utilização profissional bem como a utilizadores privados não profissionais.

Instruções de segurança

Avisos de segurança gerais para ferramentas eléctricas



Atenção! Leia todos os avisos de segurança e todas as instruções. O não cumprimento dos seguintes avisos e instruções pode resultar em choque eléctrico, incêndio e/ou graves lesões.

Guarde todos os avisos e instruções para futura referência. A expressão "ferramenta eléctrica" utilizada a seguir refere-se a ferramentas eléctricas com ligação à corrente eléctrica (com cabo) ou com bateria (sem fios).

1. Segurança na área de trabalho

- Mantenha a área de trabalho limpa e bem iluminada.** As áreas desorganizadas ou escuras são propensas a acidentes.
- Não trabalhe com ferramentas eléctricas em áreas com risco de explosão, nas quais se encontrem líquidos, gases ou poeiras inflamáveis.** As ferramentas eléctricas criam faíscas que poderão inflamar estas poeiras ou vapores.
- Mantenha crianças e outras pessoas afastadas durante a utilização da ferramenta eléctrica.** As distrações podem levar à perda do controlo da ferramenta.

2. Segurança eléctrica

- As fichas da ferramenta eléctrica devem caber na tomada. Nunca modifique a ficha de forma alguma. Não utilize fichas adaptadoras com ferramentas eléctricas ligadas à terra.** As fichas não modificadas e as tomadas compatíveis reduzem o risco de choque eléctrico.
- Evite que o corpo entre em contacto com superfícies ligadas à terra, como tubos, radiadores, fogões e frigoríficos.** Se o seu corpo estiver "ligado" à terra, o risco de choque eléctrico é maior.
- As ferramentas eléctricas não podem ser expostas a chuva nem humidade.** A entrada de água numa ferramenta eléctrica aumenta o risco de choque eléctrico.
- Manuseie o cabo com cuidado. Nunca o utilize para transportar, puxar ou desligar a ferramenta eléctrica.**

Mantenha o cabo afastado de fontes de calor, substâncias oleosas, extremidades aguçadas ou peças móveis. Os cabos danificados ou emaranhados aumentam o risco de choque eléctrico.

- Quando trabalhar com uma ferramenta eléctrica ao ar livre, utilize um cabo de extensão apropriado para esse fim.** A utilização de um cabo adequado para uso ao ar livre reduz o risco de choque eléctrico.
- Se for inevitável trabalhar com uma ferramenta eléctrica num local húmido, utilize um dispositivo de corrente residual (RCD).** A utilização de um DCR reduz o risco de choque eléctrico.

3. Segurança pessoal

- Mantenha-se alerta, tenha atenção ao que está a fazer e seja cuidadoso quando trabalhar com a ferramenta eléctrica. Não utilize uma ferramenta eléctrica quando estiver cansado ou sob o efeito de drogas, álcool ou medicamentos.** Um momento de distração durante a utilização de ferramentas eléctricas poderá resultar em ferimentos graves.
- Utilize equipamento de protecção pessoal. Use sempre uma protecção ocular.** O equipamento de protecção, como, por exemplo, uma máscara contra o pó, sapatos de segurança antiderrapantes, um capacete de segurança ou uma protecção auditiva, usado nas condições apropriadas, reduz o risco de ferimentos.
- Evite arranques involuntários. Certifique-se de que o botão está desligado antes de ligar a ferramenta à corrente eléctrica e/ou à bateria, e antes de pegar ou transportar a ferramenta.** Se mantiver o dedo sobre o interruptor ao transportar ferramentas eléctricas ou se as ligar à fonte de alimentação com o interruptor ligado, poderá dar origem a acidentes.
- Retire eventuais chaves de ajuste ou chaves de fendas antes de ligar a ferramenta eléctrica.** Uma chave de fenda ou de ajuste que se encontre numa peça em rotação da ferramenta eléctrica poderá causar lesões.
- Não tente chegar a pontos fora do alcance. Mantenha sempre os pés bem apoiados e um equilíbrio apropriado.** Desta forma, será mais fácil controlar a ferramenta eléctrica em situações inesperadas.
- Use vestuário adequado. Não use roupa larga nem jóias. Mantenha o cabelo, a roupa e as luvas afastados das peças móveis.** As roupas largas, as jóias ou o cabelo comprido podem ficar presos nestas peças.
- Se for prevista a montagem de dispositivos de extracção e recolha de poeiras, assegure-se de que estão ligados e que são utilizados de forma correcta.** A utilização de dispositivos de extracção de partículas pode reduzir os riscos relacionados com as mesmas.

4. Utilização e manutenção da ferramenta eléctrica

- a. **Não sobrecarregue a ferramenta eléctrica. Utilize a ferramenta eléctrica correcta para o seu trabalho.** A ferramenta eléctrica adequada irá efectuar o trabalho de um modo mais eficiente e seguro se for utilizada de acordo com a capacidade para a qual foi concebida.
 - b. **Não utilize a ferramenta eléctrica se o interruptor não puder ser ligado nem desligado.** Qualquer ferramenta eléctrica que não possa ser controlada através do interruptor de alimentação é perigosa e tem de ser reparada.
 - c. **Desligue a ficha da tomada e/ou a bateria da ferramenta eléctrica antes de proceder a ajustes, trocar acessórios ou guardar ferramentas eléctricas.** Estas medidas de segurança preventivas reduzem o risco de ligar a ferramenta eléctrica acidentalmente.
 - d. **Mantenha as ferramentas eléctricas que não estiverem a ser utilizadas fora do alcance das crianças. Não permita que a ferramenta eléctrica seja utilizada por pessoas não familiarizadas com a mesma ou que não tenham lido estas instruções.** As ferramentas eléctricas são perigosas nas mãos de pessoas que não possuam as qualificações necessárias para as manusear.
 - e. **Proceda à manutenção das ferramentas eléctricas. Verifique se as partes móveis estão desalinhasadas ou bloqueadas, se existem peças partidas ou qualquer outra situação que possa afectar o funcionamento das ferramentas eléctricas. Se a ferramenta eléctrica estiver danificada, esta não deve ser utilizada até que seja reparada.** Muitos acidentes têm como principal causa ferramentas eléctricas com uma manutenção insuficiente.
 - f. **Mantenha as ferramentas de corte afiadas e limpas.** As ferramentas de corte sujeitas a uma manutenção adequada, com arestas de corte afiadas, emperram com menos frequência e controlam-se com maior facilidade.
 - g. **Utilize a ferramenta eléctrica, acessórios e peças de ferramenta de acordo com estas instruções, considerando as condições de trabalho e a tarefa a ser executada.** A utilização da ferramenta eléctrica para fins diferentes dos previstos poderá resultar em situações perigosas.
5. **Assistência**
- a. **A sua ferramenta eléctrica só deve ser reparada por pessoal qualificado e só devem ser colocadas peças sobressalentes originais.** Desta forma, é garantida a segurança da ferramenta eléctrica.

Avisos de segurança adicionais para ferramentas eléctricas



Atenção! Avisos de segurança adicionais para serras eléctricas e serras de movimento recíproco

- ◆ **Segure a ferramenta eléctrica pelas superfícies isoladas específicas para o efeito ao efectuar uma operação em que o acessório de corte possa entrar em contacto com fios ocultos ou com o próprio cabo da ferramenta.** O acessório de corte que entre em contacto com um fio com tensão eléctrica poderão fazer com que as peças de metal expostas da ferramenta conduzam electricidade e electrocitem o utilizador.
 - ◆ **Utilize grampos ou outro sistema prático para apoiar e fixar a peça numa plataforma estável.** Segurar a peça com a mão ou contra o corpo pode causar instabilidade e perda de controlo.
 - ◆ **Mantenha as mãos afastadas da área de corte.** Nunca manuseie a parte inferior da peça de trabalho em circunstância alguma. Não aproxime os dedos da lâmina nem do respectivo grampo. Não estabilize a serra, agarrando a protecção.
 - ◆ **Mantenha as lâminas afiadas.** Lâminas embotadas ou danificadas podem desviar ou encravar a serra sob pressão. Utilize sempre o tipo apropriado de lâmina de serra para o material e tipo de corte.
 - ◆ **Quando cortar tubos ou condutas, certifique-se de que estes não têm água, cablagem, etc.**
 - ◆ **Não toque na peça ou na lâmina logo após a utilização da ferramenta.** Podem ficar muito quentes.
 - ◆ **Tenha cuidado com os perigos escondidos, antes de cortar em paredes, tectos ou chãos devido à localização de fios e tubos.**
 - ◆ **A lâmina irá continuar a mover-se depois de desengatar o interruptor.**
Desligue sempre a ferramenta e aguarde até que a lâmina de serra pare completamente antes de pousar a ferramenta.
- Atenção!** O contacto ou a inalação de poeiras originadas pelas aplicações de corte poderá colocar em perigo a saúde do operador ou das pessoas presentes. Utilize uma máscara especificamente concebida para protecção contra poeiras e vapores e certifique-se de que as pessoas perto da área de trabalho também estão protegidas.
- ◆ A utilização adequada é descrita neste manual de instruções. A utilização de qualquer acessório ou a realização de qualquer operação com esta ferramenta que não se inclua no presente manual de instruções poderá representar um risco de ferimentos e/ou danos materiais.

Segurança de terceiros

- ◆ Esta ferramenta não deve ser utilizada por pessoas (incluindo crianças) que apresentem capacidades físicas, sensoriais ou mentais reduzidas ou que não possuam os conhecimentos e a experiência necessários, excepto se forem vigiadas e instruídas acerca da utilização do aparelho por uma pessoa responsável pela sua segurança.
- ◆ As crianças deverão ser vigiadas para que não mexam no aparelho.

Riscos residuais

Podem surgir riscos residuais adicionais durante a utilização da ferramenta, que poderão não constar nos avisos de segurança incluídos. Estes riscos podem resultar de má utilização, uso prolongado, etc.

Mesmo com o cumprimento dos regulamentos de segurança relevantes e com a implementação de dispositivos de segurança, alguns riscos residuais não podem ser evitados. Estes incluem:

- ◆ Ferimentos causados pelo contacto com peças em rotação/movimento.
- ◆ Ferimentos causados durante a troca de peças, lâminas ou acessórios.
- ◆ Ferimentos causados pela utilização prolongada de uma ferramenta. Quando utilizar uma ferramenta durante períodos prolongados, certifique-se de que faz pausas regularmente.
- ◆ Danos auditivos.
- ◆ Problemas de saúde causados pela inalação de poeiras resultantes da utilização da ferramenta (exemplo: trabalhos em madeira, especialmente carvalho, faia e MDF.)

Vibração

Os valores de emissão de vibração declarados na secção de dados técnicos e na declaração de conformidade foram medidos de acordo com o método de teste padrão fornecido pela EN 60745 e podem ser utilizados para comparar ferramentas. O valor de emissão de vibração declarado pode ainda ser utilizado numa avaliação preliminar de exposição.

Atenção! O valor de emissão de vibração durante a utilização real da ferramenta eléctrica pode ser diferente do valor declarado, dependendo da forma como a ferramenta é utilizada. O nível de vibração pode aumentar acima do nível indicado. Quando avaliar a exposição da vibração para determinar as medidas de segurança exigidas pela Directiva 2002/44/CE para proteger pessoas que utilizem regularmente ferramentas eléctricas na sua actividade profissional, deve ser considerada uma estimativa de exposição de vibração, as condições reais de utilização e o modo de utilização da ferramenta, incluindo ainda todas as partes do ciclo de funcionamento, como os períodos de inactividade e espera da ferramenta, para além do tempo de funcionamento.

Etiquetas colocadas na ferramenta

A ferramenta apresenta os seguintes símbolos de aviso juntamente com o código de data:



Atenção! Para reduzir o risco de ferimentos, o utilizador deve ler o manual de instruções.

Segurança eléctrica



Esta ferramenta tem isolamento duplo. Por esse motivo, não precisa de ligação à terra. Verifique sempre se a tensão da tomada de electricidade corresponde à voltagem indicada na placa com os requisitos de alimentação da ferramenta.

- ◆ Se o cabo de alimentação estiver danificado, terá de ser substituído pelo fabricante ou por um centro de assistência autorizado Stanley Fat Max para evitar acidentes.

Componentes

Esta ferramenta inclui algumas ou todas as características seguintes.

1. Interruptor de accionamento de velocidade variável
2. Botão de bloqueio
3. Alavanca de fecho de lâminas de serra
4. Grampo da lâmina
5. Arrasto
6. Alavanca de bisel do arrasto
7. Alavanca de acção de corte
8. Manga do arrasto

Montagem

Atenção! Antes da montagem, retire a bateria da ferramenta e certifique-se de que a lâmina da serra se encontra imobilizada. As lâminas da serra usadas poderão estar quentes.

Montagem e remoção da lâmina da serra (fig. A)

- ◆ Segure a lâmina da serra (11) com os dentes virados para a frente.
- ◆ Levante a alavanca de fecho (3) de lâminas da serra.
- ◆ Insira totalmente a haste da lâmina no grampo de lâminas (4), o máximo possível.
- ◆ Levante a alavanca.
- ◆ Para retirar a lâmina da serra (11), levante a alavanca de fecho (3) da lâmina e retire a lâmina.

Ajustar e remover a manga do arrasto (fig. B)

A manga do arrasto anti-arranhões (9) deverá ser utilizada ao cortar superfícies sujeitas a arranhões, como os laminados, folheados ou tinta. Também pode ser utilizado para proteger a superfície do arrasto durante o transporte e armazenamento.

Para fixar a manga do arrasto:

- ◆ coloque a parte frontal do arrasto (5) na parte frontal da manga do arrasto (9).
- ◆ Baixe a ferramenta até à manga do arrasto (9). A manga do arrasto encaixará de forma segura na parte posterior do arrasto.

Para remover a manga do arrasto:

- ◆ Segure na manga do arrasto pela parte inferior das duas patilhas posteriores e puxe-a para baixo, afastando-a do arrasto (5).

Utilização

Atenção! Não altere o ritmo de funcionamento da ferramenta. Não sobrecarregue.

Atenção! Não utilize a ferramenta quando a base da serra estiver solta ou removida.

Ligar e desligar (fig. C)

- ◆ Para ligar a ferramenta, prima o interruptor de velocidade variável (1). A velocidade depende da intensidade da pressão no botão.
- ◆ Para uma operação contínua, prima o botão de bloqueio (2) e prima o interruptor de velocidade variável. Esta opção só está disponível na velocidade máxima.
- ◆ Para desligar a ferramenta, solte o interruptor de velocidade variável.
- ◆ Para desligar a ferramenta quando estiver a executar uma operação contínua, prima o interruptor de velocidade variável mais uma vez e solte-o.

Controlo de velocidade variável

- ◆ Utilize uma velocidade rápida para madeira, média para alumínio e PVC e lenta para metais que não sejam alumínio.

Corte em bisel (fig. D e E)

É possível definir o arrasto para um ângulo do bisel esquerdo ou direito até um máximo de 45°.

Para definir o ângulo de bisel:

- ◆ Puxe a alavanca de bisel do arrasto (6) para fora, afastando-a da serra, para desbloquear o arrasto (5).
- ◆ Faça deslizar o arrasto para a frente para o libertar da posição de paragem em relevo de 0°.
- ◆ Disponha o arrasto no ângulo de bisel pretendido. Utilize um transferidor para verificar a exactidão do ângulo.
- ◆ Empurre a alavanca de bloqueio do arrasto (6) para trás, em direcção à serra para bloquear o arrasto (5).

Nota: A base pode ser inclinada para a esquerda ou direita e tem mecanismos de paragem a um ângulo de 15°, 30° e 45°.

Para redefinir o arrasto para cortes direitos:

- ◆ Puxe a alavanca de bisel do arrasto (6) para fora, afastando-a da serra, para desbloquear o arrasto (5).
- ◆ Rode o arrasto para um ângulo de aproximadamente 0° e empurre-o para trás, para engatar na paragem em relevo de 0°.
- ◆ Empurre a alavanca de bloqueio do arrasto (6) para trás, em direcção à serra para bloquear o arrasto (5).

Ação de corte (fig. F)

A serra de vaivém está equipada com quatro acções de corte, três orbitais e uma a direito. A acção orbital tem um movimento de lâmina mais agressivo e foi concebida para o corte de materiais macios, como madeira ou plástico. A acção orbital permite um corte mais rápido, mas através de um corte menos suave ao longo do material. Na acção orbital, a lâmina move-se para a frente durante o corte, além do movimento para cima e para baixo.

Atenção! os metais ou madeiras duras nunca devem ser cortados no modo de acção orbital.

- ◆ Mova a alavanca de acção de corte (8) entre as quatro posições de corte: 0, 1, 2 e 3.
- ◆ A posição 0 é para corte a direito.
- ◆ As posições 1, 2 e 3 são para corte orbital.
- ◆ A força do corte aumenta à medida que a alavanca é ajustada de um para três, em que três é o corte mais agressivo.

Serrar

- ◆ Segure sempre a ferramenta com ambas as mãos.
- ◆ Deixe a lâmina a trabalhar livremente durante alguns segundos antes de começar a cortar.
- ◆ Exerça apenas uma ligeira pressão na ferramenta enquanto corta.
- ◆ Se for possível, trabalhe com o arrasto (5) pressionado contra a peça. Isto melhorará o controlo da ferramenta e reduzirá a vibração da mesma, evitando ainda que a lâmina fique danificada.

Sugestões para uma utilização óptima Geral

- ◆ Utilize uma velocidade rápida para madeira, média para alumínio e PVC e lenta para metais que não sejam alumínio.

Serrar laminados

Uma vez que a lâmina de serra possui um curso de corte ascendente, poderão surgir lascas na superfície junto do arrasto.

- ◆ Utilize uma lâmina de serra com dentes em bom estado.
- ◆ Serre a partir da superfície de fundo da peça.
- ◆ Para minimizar a ocorrência de lascas, coloque fragmentos de madeira ou painel duro em ambos os lados da peça e serre no meio deste painel composto.

Serrar metal

Tenha em atenção que a serração de metal demora muito mais tempo do que a serração de madeira.

- ◆ Utilize uma lâmina de serra adequada para a serração de metal. Utilize uma lâmina de dentes finos para metais ferrosos e uma lâmina de dentes largos para metais não ferrosos.
- ◆ Ao cortar folhas de metal finas, coloque fragmentos de madeira na superfície de fundo da peça e corte no meio deste painel composto.
- ◆ Espalhe uma camada fina de óleo ao longo da linha de corte pretendida.

Acessórios

O desempenho da sua ferramenta depende do acessório utilizado. Os acessórios Stanley Fat Max são construídos sob normas de alta qualidade e concebidos para melhorar o desempenho da ferramenta. Utilizando estes acessórios, tirará o melhor partido da sua ferramenta.

Esta ferramenta adequa-se às lâminas de serra de haste em U e haste em T.

Manutenção

A sua ferramenta foi concebida para funcionar por um longo período de tempo com uma manutenção mínima. Uma utilização continuamente satisfatória depende de uma manutenção apropriada da ferramenta e de uma limpeza regular.

Atenção! Antes de proceder a qualquer acção de manutenção, desligue a ferramenta e retire a ficha da tomada.

- ◆ Limpe regularmente as ranhuras de ventilação da ferramenta e do carregador utilizando uma escova suave ou um pano seco.
- ◆ Limpe regularmente o compartimento do motor com um pano húmido. Não utilize produtos de limpeza abrasivos ou à base de solventes.
- ◆ Ocasionalmente, aplique uma gota de óleo no eixo do rol de suporte de lâminas.

Substituição da tomada de alimentação (apenas Reino Unido e Irlanda)

Se for necessário instalar uma nova ficha de alimentação:

- ◆ Elimine com segurança a ficha antiga.
- ◆ Ligue o cabo castanho ao terminal activo da nova ficha.
- ◆ Ligue o cabo azul ao terminal neutro.

Atenção! não deve ser efectuada qualquer ligação ao terminal de terra. Siga as instruções de instalação fornecidas com fichas de boa qualidade. Fusível recomendado: 5 A.

Protecção do ambiente



Faça uma recolha de lixo selectiva. Este produto não deve ser eliminado juntamente com o lixo doméstico normal.

Se, em algum momento, for necessário substituir este produto Stanley Fat Max ou se este deixar de ter utilidade, não elimine o produto num caixote do lixo. Disponibilize este produto para recolha selectiva.



A recolha separada de produtos e embalagens usados permite que os materiais sejam reciclados e utilizados novamente.

A reutilização de materiais reciclados ajuda a prevenir a poluição ambiental e reduz a procura de matérias-primas.

Os regulamentos locais podem especificar a recolha selectiva de produtos eléctricos na sua residência, em lixeiras municipais ou através do revendedor que lhe fornecer um novo produto.

A Stanley Europe dispõe de instalações para recolha e reciclagem de produtos Stanley Fat Max quando estes atingem o fim da vida útil. Para tirar partido deste serviço, entregue o seu produto em qualquer agente de reparação autorizado, o qual procederá à respectiva recolha em nome da DEWALT.

Pode verificar a localização do agente de reparação autorizado mais perto de si, contactando os escritórios locais da Stanley Europe através do endereço indicado neste manual. Se preferir, pode encontrar na Internet uma lista de agentes de manutenção autorizados Stanley Europe, detalhes completos e contactos do serviço pós-venda, no endereço: www.2helpU.com

Dados técnicos

		FME340 (Tipo 2)
Tensão de entrada	V _{ac}	230
Alimentação	W	710
Velocidade sem carga	min. ⁻¹	0 - 3 200
Comprimento do curso	mm	20
Profundidade máxima de corte		
Madeira	mm	85
Aço	mm	10
Alumínio	mm	15
Peso	kg	2,74

L_{pA} (pressão acústica) 88,6 dB(A), Imprecisão (K) 3 dB(A)
L_{WA} (potência acústica) 99,6 dB(A), Imprecisão (K) 3 dB(A)
Valores totais de vibração (soma vectores triax) de acordo com EN 60745:
Cortar tábuas ($a_{h,B}$) 6,2 m/s ² , imprecisão (K) 1,5 m/s ²
Cortar folhas de metal ($a_{h,M}$) 6,4 m/s ² , imprecisão (K) 1,5 m/s ²

Declaração de conformidade CE

DIRECTIVA “MÁQUINAS”



Serra de vaivém FME340

A Stanley Europe declara que os produtos descritos em “dados técnicos” estão em conformidade com as seguintes normas:

2006/42/EC, EN 60745-1: 2009 + A1 2010,
EN 60745-2-11:2010

Estes produtos estão também em conformidade com as Directivas 2004/108/CE (até 19/04/2016), 2014/30/UE (a partir de 20/04/2016) e 2011/65/UE. Para obter mais informações, contacte a Stanley Europe no endereço indicado ou consulte a parte posterior do manual.

O signatário é responsável pela compilação do ficheiro técnico e efectua esta declaração em nome da Stanley Europe.

R. Laverick
Director de Engenharia
Stanley Fat Max Europe, 210 Bath Road, Slough,
Berkshire, SL1 3YD
Reino Unido
21/08/2015

Garantia

A Stanley Europe confia na qualidade dos seus produtos e oferece uma garantia excelente a utilizadores profissionais do produto. Esta declaração de garantia é um complemento dos seus direitos contratuais como utilizador privado não profissional, não os prejudicando de forma alguma. A garantia é válida nos Estados-membros da União Europeia e nos países-membros da Zona Europeia de Comércio Livre.

GARANTIA TOTAL DE UM ANO

Se o seu produto Stanley Fat Max avariar devido a defeitos de material ou fabrico, num período de 12 meses após a data da compra, a Stanley Europe garante a substituição das peças defeituosas sem qualquer encargo ou – se assim o entendermos – a substituição da unidade sem encargos, desde que:

- ◆ O produto não tenha sido alvo de utilização indevida e tenha sido utilizado em conformidade com o manual de instruções.
- ◆ O produto tenha sido sujeito a um desgaste aceitável;
- ◆ Não tenham sido tentadas reparações por pessoas não autorizadas;
- ◆ Seja apresentada prova de compra.
- ◆ O produto Stanley Fat Max seja devolvido com todos os componentes originais

Se pretender fazer uma reclamação, contacte o seu vendedor ou verifique a localização do agente de reparação autorizado Stanley Fat Max mais perto de si no catálogo Stanley Fat Max ou contacte os escritórios locais da Stanley no endereço indicado neste manual. Pode encontrar na Internet uma lista de agentes de manutenção autorizados Stanley Fat Max e detalhes completos do serviço pós-venda, no endereço: www.stanley.eu/3

Avsedd användning

Den här Stanley Fat Max figursågen är avsedd för sågning av trä, plast och plåt. Verktøget är avsett för yrkesanvändare och privatkonsumenter.

Säkerhetsinstruktioner

Allmänna säkerhetsanvisningar för elverktøget



Varning! Läs alla säkerhetsvarningar och instruktioner. Fel som uppstår till följd av att varningarna och instruktionerna som listas nedan inte följts kan orsaka elstöt, brand och/eller allvarliga kroppsskador.

Spara alla säkerhetsföreskrifter och anvisningar för framtida bruk. Begreppet "Elverktøget" i alla varningar som listas nedan avser nätdrivna elverktøget (med nätsladd) och batteridrivna elverktøget (sladdlösa).

1. Säkerhet på arbetsområdet

- Se till att arbetsområdet är rent och väl belyst.** Stökiga eller mörka områden inbjuder till olyckor.
- Använd inte elverktøget i explosionsfarlig omgivning, t.ex. i närheten av brännbara vätskor, gaser eller damm.** Elektriska verktøget ge upphov till gnistor som kan antända dammet eller ångorna.
- Håll barn och andra obehöriga personer på avstånd vid arbete med elverktøget.** Distractioner kan göra att du förlorar kontrollen.

2. Elsäkerhet

- Elverktøgets stickkontakt måste passa i eluttaget. Modifiera aldrig kontakten på något sätt. Använd inga adapterpluggar med jordanslutna (jordade) elektriska verktøget.** Icke modifierade kontakter och passande uttag minskar risken för elektrisk stöt.
- Undvik kroppskontakt med jordade ytor, t.ex. rör, värmeelement, spisar och kylskåp.** Det finns en ökad risk för elektrisk stöt om din kropp är jordanslutet eller jordad.
- Utsätt inte elverktøget för regn eller våta omgivelningar.** Vatten som kommer in i ett elverktøget ökar risken för elektrisk stöt.
- Hantera nätsladden varsamt. Använd aldrig sladden för att bära, dra eller koppla bort elverktøget från uttaget. Håll sladden borta från värme, olja, skarpa kanter eller rörliga delar.** Skadade eller tilltrasslade sladdar ökar risken för elektrisk stöt.
- Använd en förlängningssladd som lämpar sig för utomhusbruk när du arbetar med elverktøget utomhus.** Att använda en sladd som lämpar sig för utomhusanvändning minskar risken för elektrisk stöt.

- Om du måste använda ett elverktøget på en fuktig plats, bör du använda en strömförsörjning med jordfelsbrytare.** Att använda en jordfelsbrytare minskar risken för elektrisk stöt.

3. Personlig säkerhet

- Var uppmärksam, se på vad du gör och använd sunt omdöme när du använder elverktøget. Använd inte ett elverktøget när du är trött eller påverkad av droger, alkohol eller mediciner.** Ett ögonblicks ouppmärksamhet när du arbetar med elektriska verktøget kan leda till allvarliga personskador.
- Använd personlig skyddsutrustning. Använd alltid skyddsglasögon.** Skyddsutrustning såsom dammskyddsmask, halksäkra säkerhetsskor, skyddshjälm, eller hörselskydd om de används under rätta förhållanden, minskar risken för personskador.
- Förhindra oavsiktlig igångsättning. Kontrollera att strömbrytaren står i avstängt läge innan du ansluter verktøget till elnätet eller sätter i batteriet, samt innan du tar upp eller bär verktøget.** Att bära elektriska verktøget med fingret på strömbrytaren eller att koppla strömmen till elektriska verktøget när strömbrytaren är på leder till olyckor.
- Ta bort alla inställningsverktøget och skruvnycklar innan du startar elverktøget.** Ett verktøget eller en nyckel som har lämnats kvar på en roterande del av det elektriska verktøget kan orsaka kroppsskador.
- Sträck dig inte för mycket. Ha ordentligt fotfäste och balans hela tiden.** Detta möjliggör bättre kontroll av elverktøget i oväntade situationer.
- Bär lämpliga kläder. Bär inte lösa kläder eller smycken. Håll hår, beklädnad och handskar borta från delar i rörelse.** Lösa kläder, smycken eller långt hår kan fastna i rörliga delar.
- Om elverktøget har dammsugnings- och uppsamlingsutrustning, säkerställ att den är ansluten och används på korrekt sätt.** Användning av dammuppsamling kan minska dammrelaterade risker.

4. Bruk och skötsel av elverktøget

- Överbelasta inte elverktøget. Använd rätt elverktøget för ditt arbete.** Det korrekta elverktøget gör arbetet bättre och säkrare vid den hastighet för vilket det konstruerades.
- Använd inte elverktøget om det inte kan startas och stängas av med strömbrytaren.** Ett elverktøget som inte kan kontrolleras med strömbrytaren är farligt och måste repareras.
- Dra stickproppen ur vägguttaget och/eller ta ut batteriet ur elverktøget innan inställningar görs, tillbehörsdelar byts ut eller elverktøget ställs undan.** Sådana förebyggande säkerhetsåtgärder minskar risken att oavsiktligt starta elverktøget.

- d. Förvara elverktyg utom räckhåll för barn och låt inte personer som är ovana vid elverktyget eller som inte läst denna bruksanvisning använda det. Elektriska verktyg är farliga i händerna på ovana användare.
- e. Underhålla elverktyg. Kontrollera att rörliga komponenter fungerar felfritt och inte kärvar, att komponenter inte gått sönder eller skadats och inget annat föreligger som kan påverka elverktygets funktion. Om det är skadat, se till att elverktyget blir reparerat före användningen. Många olyckor orsakas av dåligt underhållna elektriska verktyg.
- f. Håll kapverktyg vassa och rena. Ordentligt underhållna kapningsverktyg med vassa skärytor fastnar inte så lätt och är lättare att kontrollera.
- g. Använd elverktyg, tillbehör, bits m.m. enligt dessa anvisningar, samtidigt som arbetsförhållandena och det arbete som ska utföras beaktas. Att använda elverktyget för något annat än det som det är avsett för, kan leda till en riskfylld situation.

5. Service

- a. Låt en kvalificerad reparatör som bara använder originaldelar utföra service på elverktyget. Detta säkerställer att elverktygets säkerhet bibehålles.

Ytterligare säkerhetsanvisningar för elverktyg



Varning! Ytterligare säkerhetsanvisningar för figursågar och pendelsågar

- ◆ Håll elverktyget i de isolerade greppytorna när arbete utförs där sågtillbehöret kan komma i kontakt med dolda elledningar eller sin egen sladd. Kaptillbehör som kommer i kontakt med en strömförande ledning kan göra att exponerade metalldelar hos elverktyget blir strömförande och kan ge användaren en elektrisk stöt.
- ◆ Använd skruvtvingar eller något annat praktiskt sätt att fästa och stödja arbetsstycket mot ett stabilt underlag. Att hålla arbetet för hand eller mot kroppen är instabilt och kan göra att du förlorar kontrollen.
- ◆ Håll händerna borta från skärområdet. Sträck aldrig in händerna under arbetsstycket. Undvik att ha fingrarna i närheten av det pendlande sågbladet och bladklämman. Undvik att stabilisera sågen genom att hålla i skon.
- ◆ Se till att bladen är vassa. Ovassa eller skadade blad kan göra att sågen vrider sig eller stannar helt när den belastas. Använd alltid korrekt typ av sågblad för arbetsmaterialet och sågningsmetoden.
- ◆ Vid sågning av rör eller installationsrör måste du se till att de inte innehåller vatten, elledningar osv
- ◆ Vidrör inte arbetsstycket eller sågbladet direkt efter det att verktyget har använts. De kan bli mycket heta.

- ◆ Var medveten om de dolda riskerna innan du sågar i väggar, golv eller tak, kontrollera var elkablar och rör befinner sig.
- ◆ Sågbladet fortsätter att röra sig efter att du har släppt strömbrytaren

Stäng alltid av verktyget och vänta tills sågbladet har stannat helt innan du lägger ifrån dig det.

Varning! Sågning ger upphov till damm som kan skada den som använder verktyget och andra i närheten vid kontakt eller inandning. Använd en specialkonstruerad ansiktsmask som skyddar mot damm och ångor och se till att personer som vistas inom eller i närheten av arbetsområdet också är skyddade.

- ◆ Den avsedda användningen beskrivs i denna bruksanvisning. Om andra tillbehör eller tillsatser används, eller om någon annan verksamhet än den som rekommenderas i den här bruksanvisningen genomförs med verktyget, kan personer och/eller egendom ta skada.

Andras säkerhet

- ◆ Detta verktyg får inte användas av personer (inklusive barn) med nedsatt fysisk eller mental förmåga eller bristande erfarenhet och kunskap, om de inte övervakas och får vägledning om användningen av apparaten av en person som ansvarar för deras säkerhet.
- ◆ Barn ska hållas under uppsikt så att de inte leker med apparaten.

Övriga risker

Ytterligare risker som inte finns med i de bifogade säkerhetsanvisningarna kan uppstå när verktyget används. Dessa risker kan uppstå vid felaktig eller långvarig användning, etc. Även om alla relevanta säkerhetsanvisningar följs och säkerhetsanordningar används kan vissa risker inte undvikas. Dessa omfattar:

- ◆ Skador orsakade av att roterande/rörliga delar vidrörs.
- ◆ Skador som uppstår vid byte av delar, blad eller tillbehör.
- ◆ Skador som orsakas av långvarig användning av ett verktyg. Se till att regelbundet ta vilopausar när du använder ett verktyg under en längre period.
- ◆ Nedsatt hörsel.
- ◆ Hälsorisker till följd av inandning av damm när redskapet används (exempel: arbete med trämaterial, särskilt ek, bok och MDF).

Vibrationer

De vibrationsvärden som uppges under Tekniska data och i förklaringen om överensstämmelse med EU-regler har uppmätts i enlighet med en standardtestmetod föreskriven i EN 60745 och kan användas för jämförelse med andra verktyg. Det angivna vibrationsvärdet kan även användas för en preliminär bedömning av exponeringen.

Varning! Vibrationsvärdet under faktisk användning av elverktyget kan skilja sig från det uppgivna värdet beroende på hur verktyget används. Vibrationsnivån kan överstiga den uppgivna nivån.

Vid uppskattningar av exponering för vibrationer i syfte att bedöma vilka säkerhetsåtgärder som är nödvändiga enligt 2002/44/EG för att skydda personer som regelbundet använder elverktyg i arbetet ska man utgå från de faktiska omständigheter under vilka elverktyget används och sättet på vilket det används. Bedömningen ska även ta hänsyn till alla moment i arbetscykeln, t.ex. när verktyget är avstängt och när det går på tomgång såväl som när det faktiskt används.

Etiketter på verktyget

Följande varningssymboler finns på verktyget, tillsammans med datumkoden:



Varning! Läs bruksanvisningen före användning för att minska risken för personskador.

Elsäkerhet



Eftersom detta verktyg är dubbelisolerat behövs ingen jordledare. Kontrollera alltid att spänningen på nätet motsvarar den spänning som finns angiven på märkplåten.

- ◆ Om nätsladden är skadad, måste den för att undvika risker, bytas ut av tillverkaren eller en auktoriserad Stanley Fat Max-verkstad.

Funktioner

Det här verktyget har några eller samtliga av följande funktioner:

1. Variabel hastighetskontroll
2. Lås för strömbrytare
3. Låsspak för sågblad
4. Bladklämma
5. Sågfot
6. Spak för vinkling av sågfot
7. Klippörelsespak
8. Skydd för sågfot

Montering

Varning! Ta bort batteriet från verktyget och se till att sågbladet har stannat innan montering påbörjas. Ett sågblad som nyligen använts kan vara mycket het.

Montera och ta bort sågbladet (fig. A)

- ◆ Håll sågbladet (11) med tänderna riktade framåt.
- ◆ Lyft låsspaken för sågbladet (3) uppåt.
- ◆ Tryck in bladets skaft så långt det går i bladklämman (4).
- ◆ Släpp spaken.

- ◆ Ta bort sågbladet (11) genom att lyfta låsspaken för sågbladet (3) uppåt och dra ut bladet.

Montera och ta bort skyddet för sågfoten (fig. B)

Skyddet för sågfoten (9) bör användas vid arbete med ytor som lätt repas, t.ex. laminat, faner eller målade ytor. Det kan också användas för att skydda sågfoten under transport och förvaring.

Montera skyddet för sågfoten:

- ◆ placera fronten på sågfoten (5) mot fronten på skyddet för sågfoten (9).
- ◆ Sänk ned verktyget in i skyddet för sågfoten (9). Skyddet för sågfoten klickar fast mot sågfotens bakre ände.

Ta bort skyddet för sågfoten:

- ◆ Håll skyddet för sågfoten i de två bakre flikarna och dra det nedåt och bort från sågfoten (5).

Användning

Varning! Låt redskapet arbeta i sin egen takt. Överbelasta inte.

Varning! Använd aldrig verktyget om sågfoten är lös eller saknas.

Start och stopp (fig. C)

- ◆ Starta verktyget genom att trycka in strömbrytaren för variabel hastighet (1). Hastigheten beror på hur långt du trycker strömbrytaren.
- ◆ Tryck in låsknappen (2) och tryck på strömbrytaren för variabel hastighet om du vill köra kontinuerligt. Det går bara att göra vid maximal hastighet.
- ◆ Stäng av verktyget genom att släppa strömbrytaren för variabel hastighet.
- ◆ Vid kontinuerlig drift stänger du av verktyget genom att trycka in och släppa strömbrytaren för variabel hastighet en gång till.

Variabel hastighet

- ◆ Använd hög hastighet för trä, medelhög för aluminium och plast och låg hastighet för andra metaller än aluminium.

Snedsågning (fig. D och E)

Skyddsplåten kan vinklas upp till 45° åt vänster eller höger.

Ställa in lutningsvinkeln:

- ◆ Dra spaken för vinkling av sågfoten (6) utåt och bort från sågen för att frigöra sågfoten (5).
- ◆ Skjut sågfoten framåt för att frigöra den från det 0° position stoppläget.
- ◆ Ställ in önskad vinkel på sågskon. Använd en gradskiva för att kontrollera vinkeln.

- ◆ Tryck spaken för vinkling av foten (6) tillbaka mot sågen för att låsa sågfoten (5).

Notera: Foten kan vinklas åt vänster eller åt höger och har spärrar vid 15°, 30° och 45°.

Så här återställer du skon för rak skärning:

- ◆ Dra spaken för vinkling av sågfoten (6) utåt och bort från sågen för att frigöra sågfoten (5).
- ◆ Roter foten till cirka 0° och dra den sedan bakåt för att aktivera det positiva stoppet 0°.
- ◆ Tryck spaken för vinkling av foten (6) tillbaka mot sågen för att låsa sågfoten (5).

Sågning (fig.F)

Denna sticksåg är utrustad med fyra såghandlingar, tre bågformade och en rak. Bågformad har en mer aggressiv blad-rörelse och är avsedd för sågning i mjuka material såsom trä eller plast. Bågformad sågning ger en snabbare sågning men med ett mindre jämt spår över materialet. I excenterläget rör sig bladet framåt under sågningen i stället för uppåt och nedåt.

Varning! Metall och hårt trä skall aldrig sågas med bågformad sågning.

- ◆ Flytta sågningsfunktionsknappen (8) mellan de fyra såglägena: 0, 1, 2 och 3.
- ◆ Position 0 är rak sågning.
- ◆ Positionerna 1, 2 och 3 är bågformad sågning.
- ◆ Sågningens kraft ökar när spaken ändras från ett till tre, där tre är den kraftigaste sågningen.

Sågning

- ◆ Håll alltid i verktyget med båda händerna.
- ◆ Låt sågbladet gå fritt i några sekunder innan du börjar såga.
- ◆ Tryck mycket lätt på verktyget när du sågar.
- ◆ Om det är möjligt bör du hålla sågplattan (5) tryckt mot arbetsstycket när du arbetar. På så sätt får du bättre kontroll över verktyget, vibrationerna minskar och bladet skyddas.

Tips för optimal användning

Allmänt

- ◆ Använd hög hastighet för trä, medelhög för aluminium och PVC och låg hastighet för andra metaller än aluminium.

Såga i laminat

Eftersom sågbladet skär på vägen upp kan ytan närmast skyddsplåten flisas.

- ◆ Använd ett fintandat sågblad.
- ◆ Vänd arbetsmaterialets undersida uppåt när du sågar.
- ◆ Minska risken för flisor genom att tvinga fast en överbliven träbit eller hård träfiberskiva på båda sidor av arbetsmaterialet och såga igenom denna sandwich.

Såga i metall

Tänk på att det tar mycket längre tid att såga i metall än i trä.

- ◆ Välj ett sågblad som lämpar sig för metallsågning. Använd ett fintandat sågblad för järnhaltiga metaller och ett grövre sågblad för icke-järnhaltiga metaller.
- ◆ Vid sågning av tunn metallplåt tvingar du fast en överbliven träbit på arbetsmaterialets undersida och sågar genom båda lagren som en smörgås.
- ◆ Smörj såglinjen med olja innan du sågar.

Tillbehör

Verktygets prestanda beror på vilka tillbehör du använder. Stanley Fat Max-tillbehören är av hög kvalitet och konstruerade för att fungera optimalt med verktyget. Med dessa tillbehör får du ut mesta möjliga av verktyget.

Sågblad med både U-skaft och T-skaft kan användas med detta verktyg.

Underhåll

Detta verktyg har tillverkats för att fungera under lång tid med ett minimum av underhåll. Kontinuerlig tillfredsställande drift beror på ordentlig verktygsvård och regelbunden rengöring.

Varning! Innan något underhåll utförs måste verktyget stängas av och sladden dras ut ur vägguttaget.

- ◆ Rengör regelbundet verktygets ventilationsöppningar och laddaren med en mjuk borste eller torr trasa.
- ◆ Rengör motorhöljet regelbundet med en fuktig trasa. Använd aldrig rengöringsmedel med lösnings- eller slipmedel.
- ◆ Applicera då och då en droppe olja på bladstödrullens axel.

Byte av elkontakten (endast Storbritannien och Irland)

Om en ny elkontakt måste monteras:

- ◆ Gör dig av med den gamla kontakten på ett säkert sätt.
- ◆ Anslut den bruna ledningen till fasanslutningen i den nya kontakten.
- ◆ Anslut den blå ledningen till den neutrala anslutningen.

Varning! Ingenting bör kopplas till jordanslutningen. Följ de monteringsanvisningar som följer med kontakter av god kvalitet. Rekommenderad säkring: 5 A.

Skydda miljön



Separat insamling. Denna produkt får inte kasseras tillsammans med vanligt hushållsavfall.

Tänk på miljön när du slänger denna Stanley Fat Max-produkt. Släng den inte tillsammans med hushållsavfallet. Gör denna produkt tillgänglig för separat insamling.



Separat insamling av använda produkter och förpackningar möjliggör att ämnena kan återvinnas och användas igen.

Återanvändning av återvunna ämnen bidrar till att förhindra miljöföroreningar och minskar behovet av råmaterial.

Lokala bestämmelser kan ge anvisningar för separat insamling av elektriska produkter från hushållen, på kommunala avfallsanläggningar eller via återförsäljaren när du köper en ny vara.

Stanley Europe samlar in och återvinner uttjänta Stanley Fat Max-produkter. För att utnyttja denna tjänst, återsänd din vara till något behörigt reparationsombud, som kommer att tillvarata den å dina vägnar.

För information om närmaste auktoriserade verkstad, kontakta det lokala Stanley Europe-kontoret på den adress som är angiven i bruksanvisningen. En lista över alla auktoriserade Stanley Europe-verkstäder samt servicevillkor finns på Internetadressen: www.2helpU.com

Tekniska data

Inspänning	V_{ac}	230
Ineffekt	W	710
Varvtal obelastad	min^{-1}	0 - 3 200
Slaglängd	mm	20
Maximalt sågningsdjup		
Trä	mm	85
Stål	mm	10
Aluminium	mm	15
Vikt	kg	2.74

L_{pA} (ljudnivå) 88,6 dB(A), osäkerhet (K) 3 dB(A)

L_{WA} (ljudeffekt) 99,6 dB(A), osäkerhet (K) 3 dB(A)

Totala vibrationsvärden (vektorsumman av tre axlar) enligt EN 60745:

Sågning av skivor ($a_{h,B}$) 6.2 m/s^2 , osäkerhet (K) 1.5 m/s^2

Sågning av plåt ($a_{h,M}$) 6.4 m/s^2 , osäkerhet (K) 1.5 m/s^2

EG försäkring om överensstämmelse

MASKINDIREKTIV



FME340 sticksåg

Stanley Europe garanterar att produkterna som beskrivs under "Tekniska data" uppfyller:

2006/42/EC, EN 60745-1: 2009 + A1 2010,
EN 60745-2-11:2010

De här produkterna överensstämmer även med direktiven 2004/108/EG (till 2016-04-19) 2014/30/EU (från 2016-04-20) och 2011/65/EU. Mer information får du genom att kontakta Stanley Europe på följande adress eller titta i slutet av bruksanvisningen.

Undertecknad är ansvarig för sammanställningen av tekniska data och gör denna försäkring för Stanley Europe.

R. Laverick
Engineering Manager
Stanley Fat Max Europe, 210 Bath Road, Slough,
Berkshire, SL1 3YD
Storbritannien
2015-08-21

Garanti

Stanley Europe garanterar att produkten är fri från material- och/eller fabrikationsfel vid leverans till kunder som använder produkten i arbetet. Garantin gäller utöver eventuella avtalsrättigheter för privatkonsumentens rättigheter enligt lag och påverkar inte dessa. Garantin är giltig i de territorier som tillhör medlemsstaterna i Europeiska unionen och det europeiska frihandelsområdet.

ETT ÅRS FULL GARANTI

Om din Stanley Fat Max-produkt går sönder på grund av material- och/eller fabrikationsfel inom 12 månader från köpet, åtar sig Stanley Europe att byta ut alla trasiga delar utan kostnad med minsta besvär för kunden eller, efter eget godtycke, utan kostnad byta ut produkten förutsatt att:

- ◆ produkten inte har missköts och har använts enligt bruksanvisningen.
- ◆ produkten har utsatts för normalt slitage;
- ◆ Obefogade personer har inte försökt reparera enheten;
- ◆ Inköpskvitto finns.
- ◆ Stanley Fat Max-produkten returneras komplett med alla ursprungliga delar

Om du vill göra ett garantianspråk kontaktar du återförsäljaren, letar upp närmaste auktoriserade Stanley Fat Max-verkstad i Stanley Fat Max-katalogen eller kontaktar det lokala Stanley-kontoret på den adress som är angiven i bruksanvisningen. En lista över alla auktoriserade Stanley Fat Max-verkstäder samt servicevillkor finns på Internetadressen: www.stanley.eu/3

Tiltenkt bruk

Stanley Fat Max-stikksagen er konstruert for saging av treverk, plast og metallplater. Dette verktøyet er tiltenkt både fagarbeidere og private brukere.

Sikkerhetsinstruksjoner

Generelle sikkerhetsadvarsler for elektroverktøy



Advarsel! Les alle sikkerhetsadvarsler og alle instruksjoner. Hvis advarslene og anvisningene nedenfor ikke overholdes, kan det medføre elektrisk støt, brann og/eller alvorlige personskader.

Ta vare på alle advarsler og instruksjoner for fremtidig bruk. Uttrykket "elektroverktøy" i alle advarslene nedenfor gjelder for strømdrevne elektroverktøy (med ledning) og batteridrevne elektroverktøy (uten ledning).

1. Sikkerhet i arbeidsområdet

- Hold arbeidsområdet rent og godt opplyst.** Rotete eller mørke områder er en invitasjon til ulykker.
- Ikke arbeid med elektroverktøy i eksplosjonsfarlige omgivelser, for eksempel der det befinner seg brennbare væsker, gass eller støv.** Elektrisk verktøy skaper gnister som kan antenne støv eller gasser.
- Hold barn og andre personer unna når du bruker et elektroverktøy.** Distraksjoner kan føre til at du mister kontrollen.

2. Elektrisk sikkerhet

- Støpselet til verktøyet må passe til stikkkontakten. Aldri modifier støpselet på noen måte. Ikke bruk adapterstøpsler til jordede elektriske verktøy.** Umodifiserte støpsler og stikkontakter som passer vil redusere risikoen for elektrisk sjokk.
- Unngå kroppskontakt med jordede overflater som rør, radiatorer, komfyrer og kjøleskap.** Det er økt risiko for elektrisk støt dersom kroppen din er jordat.
- Ikke utsett elektroverktøy for regn eller fuktighet.** Dersom det kommer vann inn i et elektrisk verktøy vil det øke risikoen for elektrisk sjokk.
- Unngå uforsvarlig behandling av ledningen. Aldri bruk ledningen til å bære, trekke eller dra ut støpselet til det elektriske verktøyet. Hold ledningen borte fra varme, olje, skarpe kanter eller bevegelige deler.** Skadede eller innviklede ledninger øker risikoen for elektrisk sjokk.
- Når du bruker et elektroverktøy utendørs, må du bruke en skjøteledning som er egnet til utendørs bruk.** Bruk av en skjøteledning beregnet for utendørs bruk reduserer risikoen for elektrisk støt.

- Hvis du ikke kan unngå å bruke elektroverktøy på et fuktig sted, må du bruke en strømforsyning som er beskyttet med jordfeilbryter.** Bruk av jordfeilbryter (RCD) reduserer risikoen for elektrisk sjokk.

3. Personssikkerhet

- Vær oppmerksom, pass på hva du gjør, og vis fornuft når du arbeider med et elektroverktøy. Ikke bruk et elektrisk verktøy dersom du er trøtt eller er påvirket av medikamenter, narkotika eller alkohol.** Ett øyeblikks uoppmerksomhet under bruk av elektriske verktøy kan føre til alvorlig personskade.
- Bruk personlig verneutstyr. Bruk alltid vernebriller.** Verneutstyr slik som støvmaske, skliskre vernesko, hjelm, eller hørselsvern brukt under passende forhold vil redusere personskader.
- Forhindre utilsiktet start. Kontroller at bryteren står i posisjon "av" før du kobler til strømkilden og/eller batteripakken, og før du tar opp eller bærer verktøyet.** Å bære elektriske verktøy med fingeren på bryteren eller å sette inn støpselet mens elektriske verktøy har bryteren på øker faren for ulykker.
- Fjern eventuelt innstillingsverktøy eller skruverktøy før du slår på elektroverktøyet.** Et skruverktøy eller en nøkkel som fortsatt er festet til en roterende del av elektroverktøyet, kan føre til personskade.
- Ikke strekk deg for langt. Ha godt fofeste og stå støtt hele tiden.** Dette fører til at du har bedre kontroll over det elektriske verktøyet ved uventede situasjoner.
- Bruk egnede klær. Ikke ha på deg løstsittende klær eller smykker. Hold hår, antrekk og hansker borte fra bevegelige deler.** Løstsittende klær, smykker og langt hår kan bli fanget opp av bevegelige deler.
- Hvis det kan monteres støvavsug- og oppsamlingsinnretninger, må du forvise deg om at disse er tilkoblet og brukes på riktig måte.** Bruk av støvoppsamlere kan redusere støvrelaterte farer.

4. Bruk og behandling av elektroverktøy

- Ikke bruk makt på elektroverktøyet. Bruk det elektriske verktøyet som situasjonen krever.** Det riktige elektriske verktøyet vil gjøre jobben bedre og tryggere ved den hastigheten det ble konstruert for.
- Ikke bruk elektroverktøyet hvis du ikke kan slå det på og av med bryteren.** Ethvert elektrisk verktøy som ikke kan kontrolleres med bryteren er farlig og må repareres.
- Trekk støpselet ut av stikkkontakten og/eller koble fra batteripakken på elektroverktøyet før du utfører innstillinger, bytter tilbehør eller legger elektroverktøyet bort.** Slike preventive sikkerhetsforanstaltninger reduserer risikoen for å starte det elektriske verktøyet ved et uhell.

- d. **Elektroverktøy som ikke er i bruk, må oppbevares utilgjengelig for barn. Ikke la verktøyet bli brukt av personer som ikke er fortrolige med det, eller som ikke kjenner disse instruksjonene.** Elektriske verktøy er farlige i hendene på utrenede brukere.
- e. **Sørg for vedlikehold av elektroverktøy. Undersøk om bevegelige deler er feiljustert eller blokkert, om deler er skadet, og om det er andre forhold som kan påvirke elektroverktøys funksjon. Dersom det er skadet, få verktøyet reparert før neste bruk.** Mange ulykker forårsakes av dårlig vedlikeholdte verktøy.
- f. **Hold skjæreverktøy skarpe og rene.** Godt vedlikeholdte skjæreverktøy med skarpe skjærekanter setter seg mindre sannsynlig fast og er lettere å kontrollere.
- g. **Bruk elektroverktøy, tilbehør, bor osv. i henhold til disse instruksjonene. Ta hensyn til arbeidsforholdene og arbeidet som skal utføres.** Bruk av det elektriske verktøyet for oppgaver som er forskjellige fra de som er tiltenkt kan føre til en farlig situasjon.

5. Service

- a. **Elektroverktøy skal repareres av kvalifisert personell og bare med originale reservedeler.** Dette vil sikre at verktøys sikkerhet blir ivaretatt.

Ytterligere sikkerhetsadvarsler for elektroverktøy



Advarsel!! Ytterligere sikkerhetsadvarsler for stikksager og bajonettsager

- ◆ **Hold det elektriske verktøyet i de isolerte gripeoverflater når du utfører operasjoner hvor kutteutstyret kan komme i kontakt med skjulte ledninger eller egen ledning.** Kuttutstyr som kommer i kontakt med en strømførende ledning kan føre til at eksponerte metalldele på elektroverktøyet blir strømførende, og kan gi operatøren støt.
- ◆ **Bruk klemmer eller en annen praktisk måte å feste og støtte arbeidsstykket på en stabil plattform.** Å holde arbeidsstykket i hendene eller mot kroppen er ustabil og kan føre til at du mister kontroll.
- ◆ **Hold hendene borte fra skjæreområdet.** Du må aldri gripe under arbeidsstykket av noen som helst årsak. Du må ikke føre fingrene eller tomlene inn i nærheten av bladfestet eller bladet som går frem og tilbake. Ikke stabiliser sagen ved å ta tak i foten.
- ◆ **Hold bladene skarpe.** Sløve eller skadde sagblader kan få sagen til å bøye av eller stanse under press. Bruk alltid sagblader som egner seg for arbeidsstykkets materiale og den type saging det er snakk om.
- ◆ **Når du sager rør eller kanaler, må du kontrollere at de er fri for vann, elektriske ledninger osv.**

- ◆ **Ikke berør arbeidsstykket eller sagbladet straks etter at du har brukt verktøyet.** De kan bli svært varme.
- ◆ **Vær oppmerksom på skjulte farer før du sager i vegger, gulv eller tak.** Lokaliser eventuelle kabler og rør.
- ◆ **Sagbladet vil fortsatt være i bevegelse etter at bryteren slippes løs.**
Slå alltid verktøyet av og vent til sagbladet stanser helt, før du setter verktøyet ned.

Advarsel!! Kontakt med eller inhalering av støv som oppstår ved skjæring, kan være helseskadelig for operatøren og eventuelle tilskuere. Bruk en støvmaske som er spesielt utformet for å beskytte mot støv og damp/gass, og pass på at personer som er i eller kommer inn i arbeidsområdet, også er beskyttet.

- ◆ Bruksområdet er beskrevet i denne bruksanvisning. Hvis du bruker annet tilbehør, kobler til annet utstyr eller bruker dette produktet til andre oppgaver enn det som er anbefalt i denne håndboken, kan det medføre fare for personskader og/eller skade på eiendom.

Andre personers sikkerhet

- ◆ Det er ikke meningen at dette verktøyet skal brukes av personer (inkludert barn) med reduserte fysiske, sansemessige eller mentale evner, eller som mangler erfaring og kunnskap, med mindre de har fått oppfølging eller instruksjon når det gjelder bruken av apparatet, fra en person som er ansvarlig for deres sikkerhet.
- ◆ Barn må holdes under oppsyn, sørg for at de ikke leker med apparatet.

Andre risikoer.

Når verktøyet brukes, kan det oppstå ytterligere risikoer som kanskje ikke er beskrevet i de medfølgende sikkerhetsadvarslene. Disse risikoene kan bli forårsaket av feil bruk, langvarig bruk osv.

Selv om de relevante sikkerhetsbestemmelsene blir fulgt, og sikkerhetstiltakene blir gjennomført, kan visse gjenværende risikoer ikke unngås. Disse inkluderer:

- ◆ Personskader som forårsakes av berøring av en roterende/bevegelig del.
- ◆ Personskader som forårsakes av at en del, et blad eller tilbehør endres.
- ◆ Personskader som skyldes for lang tids bruk av verktøyet. Når du bruker et verktøy i lange perioder, må du sørge for å ta regelmessige pauser.
- ◆ Hørselskader
- ◆ Helsefarer som forårsakes av innånding av støv som dannes når du bruker verktøyet (eksempel: arbeid med tre, spesielt eik, bøk og MDF).

Vibrasjon

Vibrasjonsemisjonsverdien som er angitt under tekniske data og samsvarserklæring, er blitt målt i henhold til en standard testmetode som er angitt i EN 60745, og kan brukes til å sammenligne et verktøy med et annet. Den oppgitte vibrasjonsemisjonsverdien kan også brukes til en foreløpig vurdering av eksponering.

Advarsel! Vibrasjonsemisjonsverdien under faktisk bruk av elektroverktøyet kan avvike fra den oppgitte verdien avhengig av måten verktøyet blir brukt på. Vibrasjonsnivået kan øke over nivået som er oppgitt.

Når det vurderes vibrasjonseksponering for å avgjøre hvilke sikkerhetstiltak som kreves ifølge 2002/44/EF, for å beskytte personer som bruker elektroverktøy regelmessig til arbeidsformål, skal det, når vibrasjonseksponeringen anslås, tas hensyn til de faktiske bruksforholdene og måten verktøyet blir brukt på. Dette inkluderer å ta hensyn til alle deler av brukssyklusen, for eksempel når verktøyet er avslått, når det går på tomgang og når utløseren er trykket inn.

Etiketter på verktøyet

Følgende advarselssymboler vises på verktøyet sammen med datokoden:



Advarsel! Brukeren må lese håndboken for å redusere risikoen for personskade.

Elektrisk sikkerhet



Dette verktøyet er dobbeltisolert. Jording er derfor ikke nødvendig. Kontroller alltid at strømforsyningen samsvarer med spenningen på merkeskiltet.

- ◆ Hvis strømledningen blir skadet, må den skiftes av produsenten eller et autorisert Stanley Fat Max-servicesenter så man unngår farlige situasjoner.

Funksjoner

Dette verktøyet har noen av eller alle følgende egenskaper.

1. Avtrekksbryter for variabel hastighet
2. Låseknapp
3. Låsespak for sagblad
4. Bladklemme
5. Fotplate
6. Fotvinkelspak
7. Skjærefunksjonsspak
8. Fotdeksel

Montering

Advarsel! Før monteringen må du ta ut batteriet av verktøyet og forsikre deg om at sagbladet har stoppet. Brukte sagblad kan være varme.

Montering og demontering av sagbladet (figur A)

- ◆ Hold sagbladet (11) med taggene vendt fremover.
- ◆ Løft låsespaken (3) for sagbladet oppover.
- ◆ Sett skafet på bladet helt inn i bladklemmen (4) så langt det går.
- ◆ Slipp spaken.
- ◆ Når du skal ta ut sagbladet (11), løfter du låsespaken (3) for sagbladet opp og trekker bladet ut.

Montere og fjerne fotdekslet (figur B)

Fotdekslet (9) som ikke skraper, bør brukes ved skjæring der overflaten lett blir skrapet opp, for eksempel laminat, finer eller malte overflater. Det kan også brukes til å beskytte overflaten til foten under transport og oppbevaring.

Feste fotdekslet:

- ◆ Sett fronten av fotplaten (5) inn i fronten av fotdekslet (9).
- ◆ Senk verktøyet inn i fotdekslet (9). Fotdekslet festes på den bakre delen av foten med et klikk.

Ta av fotdekslet:

- ◆ Ta tak i fotdekslet nedenfra ved de to bakre tappene, og trekk ned og bort fra fotplaten (5).

Bruk

Advarsel! La verktøyet arbeide i sin egen hastighet. Må ikke overbelastes.

Advarsel! Bruk aldri verktøyet mens sagfoten er løs eller fjernet.

Slå på og av (figur C)

- ◆ Når du skal slå verktøyet på, trykker du på bryteren for variabel hastighet (1). Hastigheten avhenger av hvor langt inn du trykker bryteren.
- ◆ Hvis du ønsker å holde verktøyet i kontinuerlig drift, trykker du inn låseknappen (2) og trykker på bryteren for variabel hastighet. Dette valget er bare tilgjengelig ved full hastighet.
- ◆ Når du skal slå av verktøyet, slipper du bryteren for variabel hastighet.
- ◆ Hvis du vil slå av verktøyet mens det går kontinuerlig, trykker du inn bryteren for variabel hastighet én gang til og slipper den.

Hastighetskontroll

- ◆ Bruk en høy hastighet for tre, middels hastighet for aluminium og PVC og lav hastighet for andre metaller.

Skråskjæring (figur D og E)

Fotplaten kan skråstilles opp til 45° både til høyre og venstre.

Stille inn skråskjæringsvinkelen:

- ◆ Trekk fotvinkelspaken (6) ut og bort fra sagen for å låse opp fotplaten (5).
- ◆ Skyv fotplaten fremover for å løse den fra positiv stopp-posisjonen på 0°.
- ◆ Sett fotplaten i ønsket skjærevinkel. Bruk en vinkelmåler til å kontrollere vinkelens nøyaktighet.
- ◆ Skyv låsespaken (6) for fotplaten bakover mot sagen for å låse fotplaten (5).

Merk: Skoen kan skråstilles til venstre eller høyre og har sperrer på 15°, 30° og 45°.

Tilbakestille foten for vinkelrette kutt:

- ◆ Trekk fotvinkelspaken (6) ut og bort fra sagen for å låse opp fotplaten (5).
- ◆ Drei foten til en vinkel på ca. 0°, og trekk deretter foten bakover for å aktivere positiv stopp ved 0°.
- ◆ Skyv låsespaken (6) for fotplaten bakover mot sagen for å låse fotplaten (5).

Skjærefunksjon (figur F)

Denne stikksagen er utstyrt med fire skjærebevegelser, tre pendelbevegelser og en rett. Pendelbevegelsen har en mer aggressiv bladbevegelse og er designet for å skjære i myke materialer som treverk eller plast. Pendelbevegelsen skjærer raskere, men med mindre jevnhet på tvers av materialet. Ved bruk av orbitalfunksjonen beveger bladet seg fremover under skjæringen i tillegg til bevegelsen opp og ned.

Advarsel! Metall og hardved skal aldri skjæres i pendelbevegelse.

- ◆ Flytt skjærefunksjonsspaken (8) mellom de fire skjærefunksjonene: 0, 1, 2, og 3.
- ◆ Posisjon 0 er rett skjæring
- ◆ Posisjoner 1, 2, og 3 er skjæring med pendelbevegelse.
- ◆ Skjærestyrken øker ettersom spaken justeres fra en til tre, og innstilling tre er den sterkeste.

Saging

- ◆ Hold alltid verktøyet med begge hender.
- ◆ La bladet gå fritt i noen få sekunder før du starter sagingen.
- ◆ Bruk bare lett trykk på verktøyet når du sager.
- ◆ Hvis det er mulig, arbeider du med fotplaten (5) presset mot arbeidsstykket. Dette bedrer kontrollen over verktøyet, reduserer vibrasjonen i dette og forebygger skade på bladet.

Råd for optimal bruk**Generelt**

- ◆ ruk en høy hastighet for tre, middels hastighet for aluminium og PVC og lav hastighet for andre metaller.

Sage i laminat

Ettersom sagbladet skjærer på oppadgående bevegelse, kan det forekomme flising på flaten nærmest fotplaten.

- ◆ Bruk et fintannet sagblad.
- ◆ Sag fra den bakre flaten på arbeidsstykket.
- ◆ For å minimere flising, kan du klemme et stykke kapp eller fiberplate på begge sider av arbeidsstykket og sage gjennom dette.

Sage i metall

Vær oppmerksom på at saging i metall tar mye lenger tid enn saging i tre.

- ◆ Bruk et sagblad som egner seg for metallsaging. Bruk et fintannet sagblad for jernholdig metall og et grovere sagblad for ikke-jernholdige metaller.
- ◆ Når du skjærer tynne metallplater, kan du klemme et stykke kapp til den bakre flaten på arbeidsstykket og skjære gjennom dette.
- ◆ Smør en film av olje over hele den planlagte skjærelinjen.

Tilbehør

Verktøets ytelse avhenger av hva slags tilbehør som brukes. Stanley Fat Max-tilbehør er produsert etter høye kvalitetsstandarder og er konstruert for å bedre verktøets ytelse. Hvis du bruker dette tilbehøret, får du mest mulig ut av verktøyet ditt. Dette verktøyet kan brukes med sagblad med både U- og T-festetapper.

Vedlikehold

Verktøyet er konstruert for å være i drift over lengre tid med et minimum av vedlikehold. For at den skal fungere tilfredsstillende over tid, er det viktig å sørge for riktig stell av verktøyet og regelmessig renhold.

Advarsel! Før vedlikehold må verktøyet slås av og støpselet trekkes ut.

- ◆ Rengjør ventilasjonsåpningene i verktøyet og laderen jevnlig med en myk børste eller tørr klut.
- ◆ Rengjør motorhuset regelmessig med en fuktig klut. Ikke bruk slipende eller løsemiddelbaserte rengjøringsmidler.
- ◆ Påfør av og til en dråpe olje på akselen til bladets styrerulle.

Skifte nettplugg (bare Storbritannia og Irland)

Dersom du trenger å sette på et nytt støpsele:

- ◆ Kast det gamle støpselet på en trygg måte.
- ◆ Koble den brune ledningen til den strømførende terminalen i det nye støpselet.
- ◆ Koble den blå ledningen til den nøytrale terminalen.

Advarsel! Jordingslederen skal ikke kobles til. Følg monteringsanvisningen som medfølger støpsler av god kvalitet. Anbefalt sikring: 5 A.

Miljøvern



Separat avfallshåndtering. Dette produktet må ikke kastes sammen med vanlig husholdningsavfall.

Hvis du synes Stanley Fat Max-produktet bør skiftes ut, eller du ikke har bruk for det lenger, må du ikke kaste det sammen med husholdningsavfall. Lever dette produktet for separat avfallshåndtering.



Separat innsamling av brukte produkter og emballasje gjør at materialene kan resikuleres og brukes om igjen.

Gjenbruk av resirkulert materiale hjelper til med å hindre miljøforurensing og reduserer etterspørselen etter råmateriale.

Lokale forskrifter kan ha separat innsamling av elektriske produkter fra husholdningen ved kommunale søppelfyllinger, eller hos forhandleren der du kjøper et nytt produkt.

Stanley Europe har en ordning for innsamling og resirkulering av Stanley Fat Max-produkter som ikke skal brukes lenger. For å benytte deg av denne tjenesten, vennligst returner produktet til en autorisert reparatør som vil samle det inn på vegne av oss.

Du kan finne ut hvor nærmeste autoriserte serviceverksted er, ved å kontakte din lokale Stanley Europe-avdeling på adressen som er oppgitt i denne håndboken. En oversikt over autoriserte Stanley Europe-serviceverksteder og alle opplysninger om ettersalgsservice og kontakter er også tilgjengelig på Internett: www.2helpU.com

Tekniske data

		FME340 (Type 2)
Inngangsspenning	V_{ac}	230
Inngangseffekt	W	710
Ubelastet hastighet	min^{-1}	0 - 3 200
Slaglengde	mm	20
Maks. skjæredybde		
Tre	mm	85
Stål	mm	10
Aluminium	mm	15
Vekt	kg	2,74

L_{pA} (lydtrykk) 88,6 dB(A), usikkerhet (K) 3 dB(A)
L_{WA} (lydeffekt) 99,6 dB(A), usikkerhet (K) 3 dB(A)
Totale vibrasjonsverdier (vektorsum fra tre retninger) bestemt i samsvar med EN 60745:
Saging av planker $_{h,B}$ 6.2 m/s^2 , usikkerhet (K) 1.5 m/s^2
Saging av metallplater $_{h,M}$ 6.4 m/s^2 , usikkerhet (K) 1.5 m/s^2

EU-samsvarserklæring

MASKINERIDIREKTIV



FME340 Stikksag

Stanley Europe erklærer at disse produktene som er beskrevet under "Tekniske data", er i samsvar med:

2006/42/EC, EN 60745-1: 2009 + A1 2010,

EN 60745-2-11:2010

Disse produktene er også i samsvar med direktiv 2004/108/EF (til 19/04/2016), 2014/30/EU (fra 20/04/2016) og 2011/65/EU. Hvis du ønsker mer informasjon, kontakt Stanley Europe på følgende adresse, eller se på baksiden av håndboken.

Undertegnede er ansvarlig for utarbeidelsen av den tekniske dokumentasjonen og gir denne erklæringen på vegne av Stanley Europe.

R. Laverick
Engineering Manager
Stanley Fat Max Europe, 210 Bath Road, Slough,
Berkshire, SL1 3YD
Storbritannia
21.08.2015

Garanti

Stanley Europe er trygg på kvaliteten på sine produkter og tilbyr en enestående garanti til profesjonelle brukere av produktet. Denne garantierklæringen kommer i tillegg til og reduserer på ingen måte dine kontraktmessige rettigheter som privat ikke-profesjonell bruker. Garantien er gyldig innen områdene tilhørende medlemslandene i den Europeiske Union (EU) og det Europeiske Frihandelsområdet (EFTA).

FULL GARANTI I ETT ÅR

Hvis Stanley Fat Max-produktet blir defekt på grunn av material- eller produksjonsfeil innen 12 måneder fra kjøpsdatoen, garanterer Stanley Europe å erstatte alle defekte deler uten betaling eller – hvis vi velger dette – å erstatte enheten uten betaling forutsatt at:

- ◆ Produktet er ikke blitt brukt på feil måte og er blitt brukt i samsvar med bruksanvisningen.
- ◆ Produktet har vært utsatt for rimelig slitasje.
- ◆ Uautoriserte personer har ikke gjort forsøk på å reparere produktet.
- ◆ Det legges frem kjøpsdokumentasjon.
- ◆ Stanley Fat Max-produktet returneres i sin helhet med alle originale komponenter.

Hvis du ønsker å fremme et krav, må du kontakte selgeren eller finne adressen til nærmeste autoriserte Stanley Fat Max-serviceverksted i Stanley Fat Max-katalogen eller kontakte din lokale Stanley-avdeling på adressen som er oppgitt i denne håndboken. En liste over autoriserte Stanley Fat Max-serviceverksteder og alle opplysninger om ettersalgsservice er tilgjengelig på Internett: www.stanley.eu/3

Tilsigtet brug

Din Stanley Fat Max stiksav er designet for professionel skæring af træ, metal, plastik og metalplade. Dette værktøj er beregnet til erhvervmæssige brugere og private ikke-erhvervmæssige brugere.

Sikkerhedsinstruktioner

Generelle sikkerhedsadvarsler vedrørende elværktøj



Advarsel! Læs alle sikkerhedsadvarsler og alle instruktioner. Hvis nedenstående advarsler og instruktioner ikke følges, er der risiko for elektrisk stød, brand og/eller alvorlige personskader.

Gem alle advarsler og anvisninger til senere brug. Begrebet "elværktøj", der benyttes i nedenstående advarsler, henviser til netdrevet elværktøj (med netledning) eller batteridrevet elværktøj (uden netledning).

1 Sikkerhed i arbejdsområdet

- Hold arbejdsområdet rent og ordentligt oplyst.** Rodede eller mørke områder giver anledning til ulykker.
- Brug ikke elværktøj i eksplosive omgivelser, f.eks. hvor der er brændbare væsker, gasser eller støv.** Elværktøj danner gnister, der kan antænde støv eller dampe.
- Hold børn og omkringstående på afstand, når der arbejdes med elværktøj.** Distractioner kan medføre, at du mister kontrollen.

2 Elektricitet og sikkerhed

- Elværktøjets stik skal passe til kontakten. Stikket må aldrig modificeres på nogen måde. Undlad at bruge adapterstik sammen med jordforbundet elektrisk værktøj.** Umodificerede stik og dertil passende stikkontakter reducerer risikoen for elektrisk stød.
- Undgå kropskontakt med jordforbundne overflader som f.eks. rør, radiatorer, komfurer og køleskabe.** Der er øget risiko for elektrisk stød, hvis din krop er jordforbundet.
- Udsæt ikke elværktøj for regn, og brug det ikke, hvor omgivelserne er våde.** Hvis der trænger vand ind i et elektrisk værktøj, øges risikoen for elektrisk stød.
- Pas på, at ledningen ikke beskadiges. Brug aldrig ledningen til at bære, trække værktøjet eller trække det ud af stikkontakten. Hold ledningen borte fra varme, olie, skarpe kanter og bevægelige dele.** Beskadigede eller sammenfiltrede ledninger øger risikoen for elektrisk stød.
- Hvis elværktøj benyttes i det fri, skal der benyttes en forlængerledning, som er godkendt til udendørs brug.**

Brug af en ledning, der er egnet til udendørs brug, reducerer risikoen for elektrisk stød.

- Brug en strømkilde med fejlstrømsrelæ, hvis det er nødvendigt at anvende elværktøj på fugtige steder.** Ved at benytte en fejlstrømsafbryder reduceres risikoen for elektrisk stød.

3 Personlig sikkerhed

- Vær opmærksom, hold øje med, hvad du laver, og brug elværktøjet fornuftigt. Betjen ikke værktøjet, hvis du er træt, påvirket af narkotika, alkohol eller medicin.** Et øjeblik uopmærksomhed under anvendelse af et elektrisk værktøj kan forårsage alvorlig personskade.
 - Brug personligt beskyttelsesudstyr. Bær altid beskyttelsesbriller.** Sikkerhedsudstyr, såsom støvmaske, skridsikre sikkerhedssko, sikkerhedshjelm eller høreværn, brugt når omstændighederne foreskriver det, reducerer omfanget af personskader.
 - Træf forholdsregler, så utilsigtet start ikke er mulig. Kontroller, at afbryderkontakten står på slukket, inden værktøjet tilsluttes strømkilden og/eller batteriet, samles op eller bæres.** Når elektrisk værktøj bæres med fingeren på kontakten eller tilsluttes, når kontakten er tændt, giver det anledning til ulykker.
 - Fjern indstillingsværktøj eller skruenøgle, inden elværktøjet startes.** En skruenøgle eller anden nøgle, der bliver siddende på en roterende del af elektrisk værktøj, kan give anledning til personskade.
 - Stræk dig ikke for langt. Hold hele tiden en god fodstilling og balance.** Dette giver bedre kontrol af det elektriske værktøj, når uventede situationer opstår.
 - Brug egnet arbejdstøj. Bær ikke løst tøj eller smykker. Hold dit hår, tøj og handsker væk fra bevægelige dele.** Løstsiddende tøj, smykker eller langt hår kan blive fanget i bevægelige dele.
 - Hvis der kan monteres støvudsugnings- og opsamlingsudstyr, skal dette tilsluttes og benyttes korrekt.** Anvendelse af støvsamlingsudstyr kan begrænse farer forårsaget af støv.
- #### 4 Brug og vedligeholdelse af elværktøj
- Overbelast ikke elværktøjet. Brug det værktøj, der er bedst egnet til det arbejde, der skal udføres.** Værktøjet vil klare opgaven bedre og mere sikkert med den ydelse, som det er beregnet til.
 - Brug ikke elværktøjet, hvis afbryderkontakten er defekt.** Alt elektrisk værktøj, der ikke kan kontrolleres med kontakten, er farligt og skal repareres.
 - Træk stikket ud af stikkontakten og/eller batteriet inden indstilling, tilbehørsudskiftning eller opbevaring af elværktøjet.** Sådanne forebyggende sikkerhedsforanstaltninger mindsker risikoen for, at værktøjet startes utilsigtet.

- d. **Opbevar ubenyttet elværktøj uden for børns rækkevidde. Lad aldrig personer, der ikke er fortrolige med elværktøjet, eller som ikke har læst denne vejledning, benytte maskinen.** El-værktøj er farligt i hænderne på personer, som ikke er instrueret i brugen deraf.
- e. **Elværktøj skal vedligeholdes. Kontroller, om bevægelige dele er skæve og ikke sidder fast, og om delene er brækket eller beskadiget, så elværktøjets funktion påvirkes. Hvis det elektriske værktøj er beskadiget, skal det repareres før brug.** Mange ulykker er forårsaget af dårligt vedligeholdt værktøj.
- f. **Hold skæreværktøj skarpt og rent.** Ordentligt vedligeholdt skæreværktøj med skarpe skærekanter har mindre tilbøjelighed til at binde og er lettere at styre.
- g. **Brug elværktøjet, tilbehøret, indsatsværktøj osv. i overensstemmelse med disse instruktioner under hensyntagen til arbejdsforholdene og arbejdet, der skal udføres med værktøjet.** Brug af elektrisk værktøj til andre opgaver end dem, det er beregnet til, kan resultere i en farlig situation.

5 Service

- a. **Lad kun kvalificerede fagfolk reparere elværktøjet og benyt kun originale reservedele.** Derved sikres det, at værktøjets driftssikkerhed opretholdes.

Yderligere sikkerhedsadvarsler for elværktøj



Advarsel! Yderligere sikkerhedsadvarsler for stiksav og bajonetsave

- ◆ **Hold kun fast i elværktøjet ved hjælp af de isolerede håndtagsflader, når der skal saves i emner, hvor skæreværktøjet kan berøre skjulte ledninger eller sit eget kabel.** Kommer skæreværktøjet i kontakt med en strømførende ledning, kan blotlagte metaldele på el-værktøjet gøres strømførende og give stød til brugeren.
- ◆ **Brug skruetvinger eller lignende til at holde og støtte materialet på et stabilt underlag.** Hvis du holder fast i arbejdsområdet med din hånd eller krop, vil det være ustabil, og det kan medføre, at du mister kontrollen over det.
- ◆ **Hold hænderne på afstand af skærområdet.** Ræk aldrig ind under materialet uanset årsag. Anbring ikke fingrene i nærheden af den frem- og tilbagegående kling og klingeholderen. Stabiliser ikke saven ved at gribe omkring skoen.
- ◆ **Hold klingerne skarpe.** Døve eller beskadigede klinger kan få saven til at slingre eller standse under pres. Brug altid den rigtige type savklinge til materialet og formålet.
- ◆ **Når der saves i rør og rørdedninger, er det vigtigt, at de er fri for vand, elektriske ledninger osv.**

- ◆ **Rør ikke ved materialet eller klingens umiddelbart efter, at værktøjet har været i brug.** De kan blive meget varme.
- ◆ **Vær opmærksom på skjulte farer, inden der saves i vægge, gulve eller lofter. Kontroller, om der findes ledninger og rør.**
- ◆ **Klingen fortsætter med at bevæge sig, efter at kontakten er sluppet.**

Sluk altid værktøjet, og vent, indtil savklingens bevægelse er helt ophørt, inden du lægger værktøjet fra dig.

Advarsel! Berøring af eller indånding af støvpartikler fra skærearbejder kan udgøre en fare for både brugerens og eventuelle tilskuers helbred. Bær en specielt designet støvmaske til beskyttelse mod støv og røg, og sørg for, at personer, der befinder sig på eller kommer ind på arbejdsområdet, også er beskyttet.

- ◆ Den tilsigtede anvendelse er beskrevet i denne betjeningsvejledning. Brug af ekstraudstyr eller tilbehør eller udførelse af andre opgaver med dette værktøj end de, der anbefales i denne vejledning, kan medføre risiko for personskade og/eller materiel skade.

Andres sikkerhed

- ◆ Dette værktøj må ikke bruges af personer (herunder børn) med nedsatte fysiske, sensoriske eller mentale evner eller manglende erfaring og viden, medmindre det sker under overvågning, eller der gives instruktion i brugen af værktøjet af en person, der er ansvarlig for deres sikkerhed.
- ◆ Børn skal overvåges for at sikre, at de ikke leger med udstyret.

Restrisici

Der kan opstå yderligere restrisici under brugen af værktøjet, som ikke kan medtages i vedlagte sikkerhedsadvarsler. Disse risici kan opstå pga. forkert anvendelse, langvarig brug etc. Selv ved overholdelse af relevante sikkerhedsforskrifter og anvendelse af sikkerhedsudstyr kan visse restrisici ikke undgås. Disse omfatter:

- ◆ Tilskadekomst forårsaget af berøring af roterende/bevægelige dele.
- ◆ Tilskadekomst forårsaget af udskiftning af dele, klinger eller tilbehør.
- ◆ Tilskadekomst forårsaget af langvarig brug af et værktøj. Husk at holde pause jævnligt ved brug af et værktøj i længere tid.
- ◆ Hørenedsættelse.
- ◆ Sundhedsrisici forårsaget af indånding af støv, der genereres ved brug af værktøjet (eksempel: Arbejde med træ, især, eg, bøg og MDF.)

Vibration

De angivne værdier for udsendelse af vibration opført under de tekniske data og overensstemmelseserklæringen er målt i henhold til standardtestmetoden anført i EN 60745 og kan bruges til at sammenligne ét værktøj med et andet. Den angivne vibrationsemissionsværdi kan også bruges som en foreløbig vurdering af eksponeringen.

Advarsel! Værdien for udsendelse af vibration ved faktisk brug af elværktøjet kan afvige fra den angivne værdi afhængig af måden, værktøjet anvendes på. Vibrationsniveauet kan overstige det angivne niveau.

I vurderingen af eksponeringen for vibration med henblik på fastsættelse af sikkerhedsforanstaltninger som krævet i 2002/44/EF til beskyttelse af personer, der jævnligt anvender elværktøj i deres arbejde, skal der tages hensyn til de faktiske betingelser under brugen, og måden værktøjet bruges på, herunder alle arbejdsrytters elementer, f.eks. perioder, hvor værktøjet er slukket, og hvor det kører i tomgang, tillige med startperioderne.

Mærkatet på værktøjet

Værktøjet er forsynet med følgende symboler samt datokoden:



Advarsel! Brugeren skal læse brugervejledningen for at reducere risikoen for tilskadekomst.

Elektricitet og sikkerhed



Dette værktøj er dobbelt isoleret, derfor er en jordledning ikke nødvendig. Kontrollér altid, at strømforsyningen svarer til spændingen på mærkepladen.

- ◆ Hvis netledningen beskadiges, skal den udskiftes af producenten eller et autoriseret Stanley Fat Max-værksted, så farlige situationer undgås.

Funktioner

Dette værktøj leveres med nogle af eller alle de følgende komponenter.

- 1 Variabel hastighedsudløserkontakt
- 2 Spærreknop
- 3 Låsegreb til savklinge
- 4 Klingeholder
- 5 Sål
- 6 Greb til sålskrånsnit
- 7 Savegreb
- 8 Sålmanchet

Samling

Advarsel! Før samling: Tag batteriet ud af værktøjet og kontrollér, at savklingen er standset. Brugte savklinger kan være varme.

Montering og afmontering af savklingen (fig. A)

- ◆ Hold savklingen (11), så tænderne vender fremad.
- ◆ Løft låsegrebet til savklinge (3) opad.
- ◆ Sæt savklingens skaft helt ind i klingeholderen (4), så langt det kan komme.
- ◆ Udløs grebet.
- ◆ Savklingen (11) fjernes ved at løfte låsegrebet til savklinge (3) opad og trække klingens ud.

Montering og afmontering af sålmanchetter (fig. B)

Sålmanchetter (9) mod ridser bruges ved savning af overflader, der let ridses, f.eks. laminat, finer eller maling. Den kan også bruges til at beskytte sålens overflade under transport og opbevaring.

Sådan monteres sålmanchetter:

- ◆ anbring sålens forende (5) i sålmanchettens forende (9).
- ◆ Sænk værktøjet ind i sålmanchetter (9). Sålmanchetter klikkes sikkert på plads på sålens bagende.

Sådan afmonteres sålmanchetter:

- ◆ Grib fat om sålmanchetter fra bunden ved de to bageste tapper, og træk ned og væk fra sålen (5).

Anvendelse

Advarsel! Lad værktøjet arbejde i dets eget tempo. Det må ikke overbelastes.

Advarsel! Brug aldrig værktøjet, hvis savskoens er løs eller afmonteret.

Sådan tændes og slukkes enheden (fig. C)

- ◆ Tryk på kontakten til variabel hastighed (1) for at starte værktøjet. Værktøjets hastighed afhænger af, hvor langt du trykker knappen ned.
- ◆ Tryk på spærreknappen (2), og tryk på kontakten til variabel hastighed for at opnå konstant funktion. Denne indstilling er kun mulig ved fuld hastighed.
- ◆ Udløs kontakten til variabel hastighed for at stoppe værktøjet.
- ◆ Sluk for værktøjet efter arbejde i konstant drift ved at trykke på knappen til variabel hastighed igen for at udløse den.

Trinløs hastighedskontrol

- ◆ Brug en høj hastighed til træ, en middel hastighed til aluminium og PVC og en lav hastighed til metaller udover aluminium.

Skråsnit (fig. D og E)

Sålen kan indstilles til en venstre eller højre skråskæring på op til 45°.

Sådan indstilles skråsnitvinklen:

- ◆ Træk grebet til sålskråsnit (6) ud og væk fra saven for at låse sålpladen op (5).
- ◆ Lad sålpladen glide fremad for at frigøre den fra den positive stopposition ved 0°.
- ◆ Indstil sålen til den ønskede skråsnitvinkel. Brug en gradmåler til at kontrollere vinklens nøjagtighed.
- ◆ Skub grebet til sålskråsnit (6) tilbage mod saven for at låse sålpladen (5).

Bemærk: Skoen kan stilles i smig til venstre eller til højre og har stop ved 15°, 30° og 45°.

Sådan nulstilles sålen til lige snit:

- ◆ Træk grebet til sålskråsnit (6) ud og væk fra saven for at låse sålpladen op (5).
- ◆ Drej sålen til en vinkel på ca. 0°, og træk derefter sålen tilbage for at aktivere det positive stop ved 0°.
- ◆ Skub grebet til sålskråsnit (6) tilbage mod saven for at låse sålpladen (5).

Savning (fig. F)

Denne stiksav er udstyret med fire skærehandlinger, tre pendul og en lige. Pendulfunktionen har en mere aggressiv klingebevægelse og er designet til skæring i bløde materialer som fx træ eller plastik. Pendulfunktionen giver en hurtigere snit med et mindre blødt snit gennem materialet. Ved cirkelbevægelse bevæger klingens sig fremad under savningen ud over op- og ned-bevægelsen.

Advarsel! Metal eller hårdt træ må aldrig skæres i pendulfunktion.

- ◆ Flyt grebet til aktivering af skæring (8) mellem de fire skærepositioner: 0, 1, 2 og 3.
- ◆ Position 0 er lige skæring.
- ◆ Positionerne 1, 2 og 3 er pendulskæring.
- ◆ Snittets aggressivitet stiger, når grebet justeres fra en til tre, hvor tre er den mest aggressive snit.

Savning

- ◆ Hold altid værktøjet med begge hænder.
- ◆ Lad klingens løbe frit et par sekunder, inden du begynder at save.
- ◆ Tryk kun let med værktøjet, mens du skærer.
- ◆ Arbejd om muligt med sålpladen (5) trykket mod materialet. Det giver bedre kontrol over værktøjet, og vibrationerne reduceres, ligesom du undgår at beskadige klingens.

Gode råd til optimal brug

Generelt

- ◆ Brug en høj hastighed til træ, en middel hastighed til aluminium og PVC og en lav hastighed til metaller udover aluminium.

Skæring i laminaer

Når savklingen skærer opad, kan der forekomme splintring på overfladen nærmest sålen.

- ◆ Brug en savklinge med fine tænder.
- ◆ Skær fra bagsiden af arbejdsmaterialet.
- ◆ Klem et stykke spildtræ eller hardboard på begge sider af materialet, og sav gennem denne sandwich for at minimere splintringen.

Skæring i metal

Vær opmærksom på, at skæring i metal tager meget længere tid end skæring i træ.

- ◆ Brug en savklinge der egner sig til skæring i metal. Brug den fintandede klinge til jernholdige metaller og den grovere klinge til metaller uden jern.
- ◆ Klem et stykke spildtræ til bagsiden af arbejdsmaterialet og sav gennem denne sandwich når der skæres i tynde metalplader.
- ◆ Læg en oliefilm langs den påtænkte skæringslinje.

Tilbehør

Værktøjets ydeevne afhænger af det anvendte tilbehør. Tilbehør fra Stanley Fat Max er fremstillet efter høje kvalitetsstandarder og er designet til at forbedre dit værktøjets ydeevne. Når du bruger dette tilbehør, vil værktøjet yde optimalt. Dette værktøj kan anvende savklinger med både U-skaft og T-skaft.

Vedligehold

Dette værktøj er beregnet til brug gennem lang tid med et minimum af vedligeholdelse. Vedvarende tilfredsstillende funktion er afhængig af, om værktøjet plejes korrekt og rengøres regelmæssigt.

Advarsel! Før der udføres vedligeholdelse, skal værktøjet slukkes og stikket trækkes ud.

- ◆ Rens jævnligt værktøjets og laderens ventilationshuller med en blød børste eller en tør klud.
- ◆ Rengør med jævne mellemrum motorhuset med en fugtig klud. Der må ikke bruges skuremidler eller opløsningsmidler.
- ◆ Smør med mellemrum akslen på klingens støtteruller med en dråbe olie.

Udskiftning af netstik (kun Storbritannien og Irland)

Hvis et nyt lysnetstik skal monteres:

- ◆ Det gamle stik skal bortskaffes på en sikker måde.

- ◆ Tilslut den brune ledning til den strømførende klemme på det nye stik.
- ◆ Tilslut den blå ledning til den neutrale klemme.

Advarsel! Der skal ikke tilsluttes til jordklemmen. Følg de monteringsinstruktioner, der følger med stik af god kvalitet. Anbefalet sikring: 5 A.

Miljøbeskyttelse



Særskilt bortscaffelse. Dette produkt må ikke bortscaffes sammen med almindeligt husholdningsaffald.

Når dit Stanley Fat Max-produkt en dag er udtjent, eller du ikke længere har brug for det, må du ikke smide det ud sammen med det almindelige affald. Sørg for, at dette produkt bortscaffes særskilt.



Særskilt bortscaffelse af brugte produkter og emballage gør det muligt at genbruge materialer og anvende dem på ny. Genanvendelse af genbrugsmaterialer bidrager til at forhindre forurening af miljøet og reducerer behovet for råmaterialer.

Lokale forskrifter muliggør i nogen tilfælde særskilt bortscaffelse af elektriske produkter fra husholdningen, ved kommunale affaldsdepoter eller hos forhandleren i forbindelse med køb af et nyt produkt.

Stanley Europe sørger for at indsamle og genanvende Stanley Fat Max-produkter, når disse ikke længere kan bruges. For at benytte sig af denne service kan du returnere produktet til et hvilket som helst autoriseret serviceværksted, der modtager det på vores vegne.

Kontakt det lokale Stanley Europe-kontor på den adresse, der er opgivet i denne vejledning, for at få oplysninger om nærmeste autoriserede værksted. En liste over alle autoriserede Stanley Europe-serviceværksteder samt servicevilkår og kontaktpersoner er tilgængelig på internettet på adressen: www.2helpU.com

Tekniske data

		FME340 (Type 2)
Indgangsspænding	V_{ac}	230
Effektindgang	W	710
Tomgangshastighed	min^{-1}	0 - 3.200
Slaglængde	mm	20
Maks. skæredybde		
Træ	mm	85
Stål	mm	10
Aluminium	mm	15
Vægt	kg	2,74

L_{pA} (lydtryk) 88,6 dB(A), usikkerhed (K) 3 dB(A)
L_{WA} (lydeffekt) 99,6 dB(A), usikkerhed (K) 3 dB(A)
S samlede værdier for vibration (triaksial vektorsum) i henhold til EN 60745:
Savning i lister ($a_{h,B}$) 6,2 m/s^2 , usikkerhed (K) 1,5 m/s^2
Savning i metalplader ($a_{h,M}$) 6,4 m/s^2 , usikkerhed (K) 1,5 m/s^2

EF-overensstemmelseserklæring

MASKINDIREKTIV



FME340 stiksav

Stanley Europe erklærer, at produkterne beskrevet under "Tekniske data" er i overensstemmelse med:

2006/42/EC, EN 60745-1: 2009 + A1 2010,

EN 60745-2-11:2010

Disse produkter er endvidere i overensstemmelse med direktiv 2004/108/EF (indtil 19/04/2016) 2014/30/EU (fra 20/04/2016) og 2011/65/EU. Kontakt Stanley Europe på nedenstående adresse, eller se vejledningens bagside for at få flere oplysninger.

Undertegnede er ansvarlig for udarbejdelsen af de tekniske data og fremsætter denne erklæring på vegne af Stanley

Europe.



R. Laverick
Engineering Manager
Stanley Fat Max Europe, 210 Bath Road, Slough,
Berkshire, SL1 3YD
Storbritannien
21/08/2015

Garanti

Stanley Europe garanterer, at produktet er fri for skader og fejl, og tilbyder en fremragende garanti for erhvervsmæssige brugere af produktet. Garantien er et tillæg til forbrugers kontraktmæssige rettigheder og påvirker ikke disse som en privat ikke-erhvervsmæssig bruger. Garantien er gyldig inden for medlemsstaterne af Den Europæiske Union og Det Europæiske Frihandelsområde.

ET ÅRS FULD GARANTI

Hvis dit Stanley Fat Max-produkt går i stykker på grund af materiel skade eller fabrikationsfejl inden for 12 måneder fra købsdatoen, påtager Stanley Europe sig gratis at udskifte alle defekte dele eller efter vores skøn gratis at udskifte enheden forudsat at:

- ◆ Produktet ikke har været anvendt forkert og har været anvendt i overensstemmelse med brugervejledningen.
- ◆ Produktet ikke har været udsat for andet end almindelig slitage;
- ◆ Uautoriserede personer har ikke forsøgt at udføre reparationer;
- ◆ Købsbeviset kan fremvises.
- ◆ Hele Stanley Fat Max-produktet returneres med alle originale komponenter

Hvis du ønsker erstatning for skade, skal du kontakte forhandleren eller det nærmeste autoriserede Stanley Fat Max-værksted i Stanley Fat Max-kataloget eller kontakte dit lokale Stanley-kontor på den adresse, der er opgivet i denne vejledning. Der findes en liste over alle autoriserede Stanley Fat Max-serviceværksteder samt servicevilkår på følgende internetadresse: www.stanley.eu/3

Käyttötarkoitus

Stanley Fat Max -pistosaha on suunniteltu puun, muovin ja metallin sahaamiseen. Työkalu on tarkoitettu sekä ammatti-että yksityiskäyttöön.

Turvallisuusohjeet

Sähkötyökalujen yleiset turvavaroitukset



Varoitus! Lue kaikki turvallisuusvaroitukset ja ohjeet. Alla olevien varoitusten ja ohjeiden noudattamisen laiminlyönti saattaa johtaa sähköiskuun, tulipaloon ja/tai vakavaan loukkaantumiseen.

Säästä kaikki varoitukset ja ohjeet tulevaa käyttöä varten.

Ohjeissa käytetty käsite "sähkötyökalu" tarkoittaa verkkokäyttöisiä sähkötyökaluja (verkkojohdolla varustettuja) ja akkukäyttöisiä sähkötyökaluja (ilman verkkojohtoa).

1. Työalueen turvallisuus

- Pidä työalue puhtaana ja varmista sen hyvä valaistus.** Onnettomuuksia sattuu herkemmin epäsiistissä tai huonosti valaistussa ympäristössä.
- Älä käytä sähkötyökalua räjähdysalttiissa ympäristössä, jossa on syttyvää nestettä, kaasua tai pölyä.** Sähkötyökalujen aiheuttamat kipinät voivat sytyttää pölyn tai kaasut.
- Pidä lapset ja sivulliset loitolla sähkötyökalua käyttäessäsi.** Keskitettyminen herpaantuminen voi aiheuttaa hallinnan menettämisen.

2. Sähköturvallisuus

- Sähkötyökalun pistokkeen on sovittava pistorasiaan. Älä koskaan tee pistokkeeseen mitään muutoksia. Älä yhdistä maadoitettua sähkötyökalua jatkojohtoon.** Sähköiskun vaara vähenee, jos pistokkeisiin ei tehdä muutoksia ja ne yhdistetään vain niille tarkoitettuihin pistorasioihin.
- Vältä koskettamasta maadoitettuja pintoja, kuten putkia, lämpöpattereita, liesiä tai jääkaappeja.** Voit saada sähköiskun, jos kehosi on maadoitettu.
- Älä altista sähkötyökalua sateelle tai kosteudelle.** Sähkötyökaluun menevä vesi lisää sähköiskun vaaraa.
- Älä käsittele virtajohtoa kovakouraisesti. Älä kannata työkaluja sähköjohdosta tai vedä pistoketta pistorasiasta sähköjohdon avulla. Pidä sähköjohto kaukana kuumuudesta, öljystä, terävistä reunoista tai liikkuvista osista.** Vaurioituneet tai soikeutuneet johdot lisäävät sähköiskun vaaraa.
- Käyttäessäsi sähkötyökalua ulkona käytä ainoastaan ulkokäyttöön soveltuvaa jatkojohtoa.**

Ulkokäyttöön tarkoitettujen sähköjohdon käyttäminen vähentää sähköiskun vaaraa.

- Jos sähkötyökalua on välttämättä käytettävä kosteassa paikassa, käytä vikavirtasuojalla (RCD) suojattua virtalähdettä.** Tämä vähentää sähköiskun vaaraa.
- ### 3. Henkilöturvallisuus
- Ole valpas, keskity työhön ja noudata tervettä järkeä sähkötyökalun käytössä. Älä käytä tätä työkalua ollessasi väsynyt tai alkoholin, huumeiden tai lääkkeiden vaikutuksen alaisena.** Keskitytymisen herpaantuminen hetkeksikin sähkötyökalua käytettäessä voi aiheuttaa vakavan henkilövahingon.
 - Käytä henkilökohtaisia suojavarusteita. Käytä aina suojalaseja.** Hengityssuojaimen, liukumattomien turvajalkineiden, kypärän ja kuulosuojaimen käyttäminen vähentää henkilövahinkojen vaaraa.
 - Vältä tahatonta käynnistämistä. Varmista, että kytkin on OFF-asennossa, ennen kuin liität laitteen virtalähteeseen ja/tai akkuun, nostat laitteen tai kannat sitä.** Sähkötyökalun kantaminen sormi virtakytkimellä lisää onnettomuusvaaraa.
 - Irrota mahdollinen säätö- tai kiintoavain ennen kuin käynnistät sähkötyökalun.** Sähkötyökalun pyöriivään osaan kiinni jäänyt avain voi johtaa loukkaantumiseen.
 - Älä kurkotta. Huolehdi siitä, että sinulla on koko ajan tukeva jalansija ja hyvä tasapaino.** Näin voit hallita sähkötyökalua paremmin odottamattomissa tilanteissa.
 - Käytä tarkoitukseen soveltuvia vaatteita. Älä käytä löysiä vaatteita tai koruja. Pidä hiukset, vaatteet ja kädet loitolla liikkuvista osista.** Löysät vaatteet, korut tai pitkät hiukset voivat tarttua liikkuviin osiin.
 - Jos työkalun voi liittää pölynimuriin, tarkista, että liitos on tehty asianmukaisesti ja että laitteita käytetään oikealla tavalla.** Pölyn ottaminen talteen voi vähentää pölyn aiheuttamia vaaroja.
- ### 4. Sähkötyökalujen käyttö ja hoito
- Älä ylikuormita sähkötyökalua.** Valitse käyttötarkoituksen kannalta oikea sähkötyökalu. Sähkötyökalu toimii paremmin ja turvallisemmin, kun sitä käytetään sille suunniteltuun käyttötarkoitukseen.
 - Älä käytä sähkötyökalua, jota ei voida käynnistää ja pysäyttää virtakytkimestä.** Jos sähkötyökalua ei voi hallita kytkimen avulla, se on vaarallinen ja se on korjattava.
 - Irrota pistotulppa pistorasiasta ja/tai akku laitteesta ennen kuin suoritat säätöjä, vaihdat tarvikkeita tai siirrä sähkötyökalun varastoitavaksi.** Näin voit vähentää vahingossa käynnistymisen aiheuttaman henkilövahingon vaaraa.

- d. Säilytä sähkötyökalut poissa lasten ulottuvilta, kun niitä ei käytetä. Älä anna sähkötyökalua sellaisen henkilön käyttöön, joka ei tunne sitä tai joka ei ole tutustunut tähän käyttöohjeeseen. Sähkötyökalut ovat vaarallisia kouluttamattomien käyttäjien käsissä.
- e. Hoida sähkötyökalusi huolella. Tarkista, että liikkuvat osat toimivat moitteettomasti ja etteivät ne ole puristuksessa. Tarkista myös, ettei työkalussa ei ole murtuneita tai vahingoittuneita osia, jotka saattaisivat vaikuttaa haitallisesti sen toimintaan. Jos havaitset vaurioita, korjauta sähkötyökalu ennen niiden käyttämistä. Huonosti kunnossapidetyt sähkötyökalut aiheuttavat onnettomuuksia.
- f. Pidä leikkausterät terävinä ja puhtaina. Kunnossa pidettyjen leikkaavien teräviä reunoja sisältävien työkalut todennäköisyys jumiutua vähenee, ja niitä on helpompi hallita.
- g. Käytä sähkötyökaluja, tarvikkeita, vaihtoteriä yms. näiden ohjeiden mukaisesti. Ota tällöin huomioon työolosuhteet ja suoritettava toimenpide. Jos sähkötyökalua käytetään näiden ohjeiden vastaisesti, voi syntyä vaaratilanne.

5. Huolto

- a. Korjauta sähkötyökalu koulutetulla ja ammattitaitoisella henkilöllä ja hyväksy korjauksiin vain alkuperäisiä varaosia. Tämä varmistaa sähkötyökalun turvallisuuden.

Sähkötyökalujen lisäturvavaroitukset



Varoitus! Pistosahojen lisäturvavaroitukset

- ◆ Jos terä voi osua piilotettuihin sähköjohtoihin tai työkalun omaan sähköjohtoon, tartu työkalun eristettyihin tarttumapintoihin. Terän osuminen jännitteeseen johtoon tekee sen paljaista metallisista jännitteistä, joten käyttäjä voi saada sähköiskun.
- ◆ Käytä puristimia tai muuta käytännöllistä tapaa kiinnittää ja tukea työkappale tukevalle alustalle. Työn pitäminen käsin tai vartaloa vasten on epävakaata ja saattaa johtaa kontrollin menetykseen.
- ◆ Pidä kätesi pois leikkausalueelta. Älä koskaan työnnä kättäsi työstökohteen alapuolelle. Älä työnnä sormia liikkuvan terän tai sen kiinnikkeen läheisyyteen. Älä tue sahaa pitämällä kiinni sahausjalasta.
- ◆ Pidä terät terävinä. Tylsät tai vahingoittuneet terät voivat leikata nivonon tai jäädä kiinni. Käytä työstettävään materiaaliin soveltuvaa sahanterää, jolla saat haluamasi sahausjäljen.
- ◆ Jos sahaat putkea tai kotelointia, tarkista ensin, ettei sen sisällä ole vettä, sähköjohtoa tms.

- ◆ Älä kosketa terää tai sahattua leikkauspintaa heti sahausksen jälkeen. Ne voivat olla erittäin kuumia.
- ◆ Varo piilossa olevia vaaroja. Tarkista sähköjohtojen ja putkien sijainti ennen kuin sahaat seinää, lattiaa tai kattoa.
- ◆ Terän liike jatkuu vielä hetken käyttökytkimen vapauttamisen jälkeen.

Katkaise virta työkalusta ja odota, että terän liike on kokonaan pysähtynyt, ennen kuin lasket työkalun käsistäsi.

Varoitus! Leikatessa syntyvän pölyn kanssa kosketuksiin joutuminen tai sen hengittäminen saattaa olla haitallista käyttäjän tai lähellä olijoiden terveydelle. Käytä kasvosuojusta, joka on erityisesti tarkoitettu suojaamaan pölyltä ja höyryiltä, ja varmista, että kaikki työskentelyalueella olevat ja sinne tulevat henkilöt käyttävät suojarusteita.

- ◆ Tarkoitettu käyttö on kuvattu tässä käyttöohjeessa. Käytä työkalua ainoastaan sellaiseen työhön, johon se on tarkoitettu, ja käytä vain tässä käyttöohjeessa suositeltuja tarvikkeita ja lisälaitteita. Ohjeesta poikkeava käyttö voi aiheuttaa henkilö- ja/tai omaisuusvahinkoja.

Muiden henkilöiden turvallisuus

- ◆ Tätä työkalua ei ole tarkoitettu sellaisten henkilöiden käyttöön, joilla on fyysisiä tai älyllisiä rajoitteita tai aistirajoitteita, eikä laitteen toimintaan perehtymättömien henkilöiden käyttöön (lapset mukaan luettuina), paitsi valvonnan alaisina, tai jos he ovat saaneet laitteen käyttöön liittyvää opastusta heidän turvallisuudestaan vastaavalta henkilöltä.
- ◆ Lapsia tulee valvoa ja varmistaa, että he eivät leiki laitteella.

Muut riskit

Myös muut kuin turvavaroituksissa mainitut riskit ovat mahdollisia työkalua käytettäessä. Nämä riskit voivat liittyä muun muassa virheelliseen tai pitkäaikaiseen käyttöön.

Tiettyjä jäännösriskejä ei voi välttää, vaikka noudatet kaikki turvamääräyksiä ja käytät turvalaitteita. Näitä ovat:

- ◆ Pyörivien tai liikkuvien osien koskettamisen aiheuttamat vahingot.
- ◆ Osia, teriä tai lisävarusteita vaihdettaessa aiheutuneet vahingot.
- ◆ Työkalun pitkäaikaisen käytön aiheuttamat vahingot. Varmista, että pidät säännöllisesti taukoja työkalun pitkäaikaisen käytön aikana.
- ◆ Kuulon heikkeneminen.
- ◆ Työkalua käytettäessä (esimerkiksi puuta, erityisesti tammea, pyökkiä ja MDF-levyjä käsiteltäessä) syntyneen pölyn sisäänhengityksen aiheuttamat terveysriskit.

Tärinä

Teknisissä tiedoissa ja vaatimustenmukaisuusvakuutuksessa ilmoitettu tärinäpäästöarvo on mitattu EN 60745 -standardin testausmenetelmän mukaisesti, ja arvoa voi käyttää työkalujen keskinäiseen vertailuun. Ilmoitettua tärinäpäästöarvoa voi käyttää myös altistumisen alustavaan arviointiin.

Varoitus! Sähkötyökalun käytön aikana mitattu todellinen tärinäpäästöarvo voi poiketa ilmoitetusta tärinäpäästöarvosta työkalun käyttötavan mukaan. Tärinätasoa voi olla ilmoitettua tasoa suurempi.

Kun tärinälle altistumista arvioidaan sen määrittämiseksi, mitä direktiivin 2002/44/EY mukaisia turvatoimenpiteitä vaaditaan sähkötyökaluja säännöllisesti käyttävien henkilöiden suojelemiseksi, tärinälle altistumisen arvioinnissa on otettava huomioon todelliset käyttöolosuhteet ja työkalun käyttötavat. Todellisen käytön lisäksi on kiinnitettävä huomiota myös siihen, milloin työkalu on sammutettuna tai se käy tyhjäkäynnillä.

Työkalun tarrat

Työkaluun on merkitty päivämääräkoodi sekä seuraavat varoitusmerkinnät:



Varoitus! Käyttäjän on luettava käyttöohje vahinkojen välttämiseksi.

Sähköturvallisuus



Tämä työkalu on kaksoiseristetty, joten erillistä maadoitusta ei tarvita. Tarkista aina, että verkkovirran jännite vastaa tyyppikilpeen merkittyä jännitettä.

- ◆ Jos virtajohto vahingoittuu, sen vaihtaminen on turvallisuussyistä jätettävä valmistajan tai valtuutetun Stanley Fat Max -huoltoilijeen tehtäväksi.

Yleiskuvaus

Tässä työkalussa on joitakin tai kaikki seuraavista ominaisuuksista.

1. Säädettävä nopeuden liipaisukytkin
2. Lukituspainike
3. Sahanterän lukitusvipu
4. Terän kiinnike
5. Jalustalevy
6. Sahausjalan vinosahausvipu
7. Leikkaustoiminnon vipu
8. Sahausjalan pidike

Asennus

Varoitus! Varmista ennen kokoamista, että akku on poistettu työkalusta ja että sahanterä on pysähtynyt. Käytössä olleet sahanterät voivat olla kuumia.

Sahanterän asennus ja poisto (kuva A)

- ◆ Pidä sahanterää (11) hampaat eteenpäin.
- ◆ Nosta sahanterän lukitusvipu (3) ylös.
- ◆ Työnnä terän varsi kokonaan terän kiinnityslaippaan (4) niin pitkälle kuin se menee.
- ◆ Vapauta vipu.
- ◆ Poista sahanterä (11) nostamalla sahanterän lukitusvipu (3) ylös ja vetämällä terä ulos.

Sahausjalan pidikkeen kiinnittäminen ja irrottaminen (kuva B)

Naarmuttamatonta sahausjalan pidikettä (9) on käytettävä helposti naarmuuntuvia pintoja, kuten laminaattia, vaneria tai maalattuja pintoja, leikattaessa. Se suojaa myös sahausjalan pintaa kuljetuksen ja säilytyksen aikana.

Voit kiinnittää sahausjalan pidikkeen seuraavasti:

- ◆ Aseta jalustalevyn etuosa (5) sahausjalan pidikkeen etuosaan (9).
- ◆ Laske työkalu sahausjalan pidikkeeseen (9). Sahausjalan pidike napsahtaa kiinni sahausjalan takaosaan.

Voit irrottaa sahausjalan pidikkeen seuraavasti:

- ◆ Tartu sahausjalan pidikkeeseen sen alareunassa olevasta kahdesta kielekkeestä ja vedä pidikettä alas- ja jalustalevystä (5) pois päin.

Käyttö

Varoitus! Anna työkalun käydä omaan tahtiinsa. Älä ylikuormita sitä.

Varoitus! Älä koskaan käytä työkalua, kun sahausjalka on löysällä tai irti.

Käynnistäminen ja pysäyttäminen (kuva C)

- ◆ Käynnistä työkalu painamalla nopeudensäätökytkintä (1). Nopeus määräytyy sen mukaan, kuinka pitkälle kytkintä työnnetään.
- ◆ Jatkuvaa käyttöä varten paina lukituspainiketta (2) ja paina nopeudensäätökytkintä. Tämä vaihtoehto on käytettävissä vain laitteen toimiessa täydellä nopeudella.
- ◆ Sammuta työkalu vapauttamalla nopeudensäätökytkin.
- ◆ Sammuta työkalu jatkuvan käytön aikana painamalla nopeudensäätökytkintä uudelleen ja vapauttamalla se.

Nopeudensäätö

- ◆ Saha puuta suurimmalla nopeudella, alumiinia ja PVC-muovia keskinopeudella ja muita metalleja hitaalla nopeudella.

Vinosahaus (kuvat D ja E)

Jalustalevy voidaan kääntää vasempaan tai oikeaan enintään 45° viistoon kulmaan.

Voit säätää viistosahauskulmaa seuraavasti:

- ◆ Vapauta jalustalevy (5) vetämällä sahausjalan vinosahausvipua (6) ulos- ja sahasta pois päin.
- ◆ Vapauta jalustalevy 0° positiivisesta pysäytyskohdasta liu'uttamalla jalustalevyä eteenpäin.
- ◆ Säädä jalustalevy haluttuun viistosahauskulmaan. Tarkista kulman tarkkuus astelevyn avulla.
- ◆ Lukitse jalustalevy (5) työntämällä sahausjalan vinosahausvipua (6) taaksepäin sahaa kohti.

Huomautus: Kenkä voidaan viisteyttää vasemmalle tai oikealle ja sen lukituskohdat ovat 15°, 30° ja 45°.

Voit palauttaa sahausjalan asennon suoria sahauskuiksi varten seuraavasti:

- ◆ Vapauta jalustalevy (5) vetämällä sahausjalan vinosahausvipua (6) ulos- ja sahasta pois päin.
- ◆ Kierrä sahausjalka noin 0° kulmaan ja vedä sahausjalkaa taaksepäin, jotta se lukittuu 0° positiiviseen pysäytyskohdtaan.
- ◆ Lukitse jalustalevy (5) työntämällä sahausjalan vinosahausvipua (6) taaksepäin sahaa kohti.

Leikkaustoiminto (kuva F)

Tässä kuviosahassa on neljä leikkaustoimintoa, kolme kiertävää ja yksi suora. Kiertoleikkauksessa on voimakkaampi terän liike ja se on tarkoitettu pehmeiden materiaalien, kuten puun tai muovin, leikkaamiseen. Kiertotoiminto leikkaa nopeammin, mutta leikkaustulos ei ole yhtä tasainen. Kehäliiketoimintoa käytettäessä terä liikkuu leikkauskiskon aikana ylös- ja alaspäin suuntautuvan liikkeen lisäksi myös eteenpäin.

Varoitus! Metallia tai kovaa puuta ei saa koskaan leikata kiertotoiminnolla.

- ◆ Siirrä leikkaustoiminnon vipu johonkin neljästä leikkaus-asennosta, jotka ovat: 0, 1, 2 ja 3.
- ◆ Asento 0 on suora leikkaus.
- ◆ Asennot 1, 2, ja 3 ovat kiertotoimintoja.
- ◆ Leikkauksen voimakkuus lisääntyy, kun vipua säädetään yhdestä kolmeen. Asento 3 on voimakkain leikkaus.

Sahaus

- ◆ Pitele työkalua aina kahdella kädellä.
- ◆ Anna terän liikkuu vapaasti muutaman sekunnin ajan, ennen kuin aloitat sahaamisen.
- ◆ Paina työkalua vain kevyesti, kun sahaat.
- ◆ Paina jalustalevyä (5) työkalua vasten sahatessasi, jos se on mahdollista. Se parantaa työkalun hallintaa ja vähentää sen värinää. Lisäksi se estää terää vaurioitumasta.

Vinkkejä parhaimman tuloksen saavuttamiseksi Yleistä

- ◆ Saha puuta suurimmalla nopeudella, alumiinia ja PVC-muovia keskinopeudella ja muita metalleja hitaalla nopeudella.

Laminaattien sahaaminen

Koska sahanterä leikkaa ylöspäin suuntautuvalla vedolla, jalustalevyn puolella oleva pinta voi säilytyä.

- ◆ Käytä pienihampaista sahanterää.
- ◆ Sahaa työkalua taustapuolelta.
- ◆ Minimoi säilytymisen puristamalla palat hukkapuuta tai kovalevyä työkalupäleen molemmille puolille ja sahaa kaikkien kerrosten läpi.

Metallin sahaaminen

Ota huomioon, että metallin sahaaminen kestää pitempään kuin puun.

- ◆ Käytä metallin sahaamiseen sopivaa sahanterää. Käytä hienohampaista sahanterää, kun sahaat rautapitoisia metalleja. Käytä karkeampaa sahanterää, kun sahaat muita metalleja.
- ◆ Kun sahaat ohutta metalliarkkia, purista palat hukkapuuta työkalupäleen molemmille puolille ja sahaa kaikkien kerrosten läpi.
- ◆ Levitä ohut kerros öljyä aiotulle sahauslinjalle.

Lisävarusteet

Työkalun suorituskyky riippuu käytetystä lisävarusteesta. Stanley Fat Max -lisävarusteet on valmistettu korkealaatuisiksi ja suunniteltu parantamaan työkalun suorituskykyä. Käyttämällä näitä lisävarusteita saat työkalustasi parhaan hyödyn. Tämä työkalu sopii sekä U- että T-vartisille sahanterille.

Huolto

Tämä työkalu on suunniteltu toimimaan mahdollisimman pitkän aikaa mahdollisimman vähällä huollolla. Oikea käsittely ja säännöllinen puhdistus varmistavat laitteen ongelmattoman toiminnan.

Varoitus! Katkaise koneesta virta ja irrota virtajohto pistorasiasta aina ennen huoltotoimenpiteitä.

- ◆ Puhdista työkalun ja laturin ilma-aukot säännöllisesti pehmeällä harjalla tai kuivalla liinalla.
- ◆ Puhdista moottorin kotelo säännöllisesti kostealla rätillä. Älä käytä hankaavia tai liuotinpohjaisia puhdistusaineita.
- ◆ Tiputa ajoittain tippa öljyä terän vastinrullan akselille.

Varaverkkopistoke (vain Iso-Britannia ja Irlanti)

Jos uusi verkkopistoke täytyy asentaa:

- ◆ Hävitä vanha pistoke ympäristöstävällisesti.
- ◆ Liitä ruskea johto uuden pistokkeen jännitteeseen napaan.
- ◆ Liitä sininen johto tähtipisteliittimeen.

Varoitus! Maadoitusliittimen ei tule tehdä liitoksia. Noudata korkealaatuisten pistokkeiden mukana toimitettuja asennusohjeita. Suositeltu varoke: 5 A.

Ympäristönsuojelu



Toimita tämä laite erilliskeräykseen. Tätä tuotetta ei saa hävittää kotitalousjätteen mukana.

Kun Stanley Fat Max -laitteesi aikanaan täytyy vaihtaa tai ei kelpaa enää käyttöön, älä hävitä laitetta kotitalousjätteen mukana. Toimita se kierrätykseen.



Kierrätykseen toimitetut käytetyt tuotteet ja pakkaus voidaan käyttää uudelleen. Tämä suojelee ympäristöä ja vähentää raaka-aineiden tarvetta.

Paikallisissa määräyksissä voidaan edellyttää, että sähkölaitteet on toimitettava kierrätysasemalle tai jälleenmyyjälle, jolta ostit uuden tuotteen.

Stanley Europe kerää ja kierrättää Stanley Fat Max -tuotteet, kun ne ovat tulleet elinkaarensa loppuun. Voit käyttää tätä palvelua palauttamalla tuotteen valtuutettuun huoltokorjaamoon.

Saat valtuutettujen huoltoliikkeiden yhteystiedot ottamalla yhteyttä paikalliseen Stanley Europen toimipisteeseen tässä käyttöoppaassa ilmoitetussa osoitteessa. Valtuutettujen Stanley Europe -huoltoliikkeiden yhteystiedot sekä lisätietoja palveluistamme on myös Internetissä osoitteessa: www.2helpU.com

Tekniset tiedot

		FME340 (Tyyppi 2)
Syöttöjännite	V_{ac}	230
Ottoteho	W	710
Kuormittamaton nopeus	min^{-1}	0 - 3 200
Iskun pituus	mm	20
Suurin sahausvyvyys		
Puu	mm	85
Teräs	mm	10
Alumiini	mm	15
Paino	kg	2,74

L_{pA} (äänenpaine) 88,6 dB(A), epävarmuus (K) 3 dB(A)
L_{WA} (äänitehotaso) 99,6 dB(A), epävarmuus (K) 3 dB(A)
Tärinän kokonaisarvot (vektorisumma) standardin EN 60745 mukaisesti:
Leikkattaessa puulevyjä ($a_{h,B}$) 6,2 m/s^2 , epävarmuus (K) 1,5 m/s^2
Leikkattaessa metallilevyjä ($a_{h,M}$) 6,4 m/s^2 , epävarmuus (K) 1,5 m/s^2

EY-vaatimustenmukaisuusvakuutus

KONEDIREKTIIVI



FME340 Pistosaha

Stanley Europe ilmoittaa, että tuotteet, jotka on kuvattu kohdassa Tekniset tiedot, täyttävät seuraavien direktiivien vaatimukset:

2006/42/EY, EN 60745-1: 2009 + A1 2010,

EN 60745-2-11:2010

Nämä tuotteet täyttävät myös direktiivien 2004/108/EY (19.4.2016 saakka), 2014/30/EU (20.4.2016 alkaen) ja 2011/65/EU vaatimukset. Lisätietoja saa ottamalla yhteyttä Stanley Europeen seuraavassa osoitteessa. Tiedot ovat myös käyttöoppaan takakannessa.

Allekirjoittanut vastaa teknisten tietojen kokoamisesta ja antaa tämän ilmoituksen Stanley Europen puolesta.

R. Laverick
Engineering Manager
Stanley Fat Max Europe, 210 Bath Road, Slough,
Berkshire, SL1 3YD
Iso-Britannia
21.8.2015

Takuu

Stanley Europe takaa, ettei tuotteessa ole materiaali- ja/ tai valmistusvikaa silloin, kun se toimitetaan ostajalle ammattikäyttöön. Takuu on lisäys yksityisen ammattikäyttäjän sopimusoikeuksiin eikä se vaikuta niihin. Tämä takuu on voimassa kaikissa EU- ja ETA-maissa.

YHDEN VUODEN TÄYDELLINEN TAKUU

Mikäli Stanley Fat Max -tuotteessa ilmenee vika materiaali- ja/ tai valmistusvirheen vuoksi 12 kuukauden kuluessa ostopäivästä, Stanley Europe takaa vaihtavansa vialliset osat tai koko tuotteen Stanley Europen valinnan mukaan ilman kustannuksia ostajalle edellyttäen, että

- ◆ tuotetta ei ole käytetty virheellisesti, vaan sitä on käytetty käyttöoppaan ohjeiden mukaisesti
- ◆ tuote on altistunut vain normaalille kulumiselle
- ◆ tuotetta ei ole korjannut valtuuttamaton henkilö
- ◆ ostokuitti esitetään
- ◆ Stanley Fat Max -tuote palautetaan kaikkien alkuperäisten osien kanssa.

Jos haluat tehdä korvausvaatimuksen, ota yhteyttä ostopaikkaan tai katso lähimmän valtuutetun Stanley Fat Max -huolto liikkeen yhteystiedot Stanley Fat Max -tuoteluettelosta tai ota yhteyttä paikalliseen Stanley-toimipisteeseen tässä ohjeessa kerrotussa osoitteessa. Valtuutettujen Stanley Fat Max -huolto liikkeiden yhteystiedot sekä lisätietoja palveluistamme on myös Internetissä osoitteessa: www.stanley.eu/3.

Προβλεπόμενη χρήση

Η σέγα Stanley Fat Max έχει σχεδιαστεί για πρίονισμα ξύλου, πλαστικών και ελασμάτων μετάλλου. Αυτό το εργαλείο προορίζεται για επαγγελματική και ιδιωτική, μη επαγγελματική χρήση.

Οδηγίες ασφαλείας

Γενικές προειδοποιήσεις ασφαλείας για τα ηλεκτρικά εργαλεία



Προειδοποίηση! Διαβάστε όλες τις προειδοποιήσεις ασφαλείας και όλες τις οδηγίες. Η μη τήρηση των παρακάτω προειδοποιήσεων και οδηγιών μπορεί να προκαλέσει ηλεκτροπληξία, πυρκαγιά ή/και σοβαρούς τραυματισμούς.

Φυλάξτε όλες τις προειδοποιήσεις και τις οδηγίες για μελλοντική αναφορά. Ο χαρακτηρισμός «ηλεκτρικό εργαλείο» που χρησιμοποιείται σε όλες τις παρακάτω προειδοποιήσεις αφορά είτε το εργαλείο που συνδέεται στην πρίζα (με καλώδιο) είτε το εργαλείο που λειτουργεί με μπαταρία (χωρίς καλώδιο).

1. Ασφάλεια χώρου εργασίας

- α. Διατηρείτε το χώρο που εργάζεστε καθαρό και καλά φωτισμένο. Οι ατακτοποιήτες ή σκοτεινές περιοχές γίνονται αιτίες ατυχημάτων.
- β. Μη χρησιμοποιείτε ηλεκτρικά εργαλεία σε περιβάλλον όπου υπάρχει κίνδυνος έκρηξης, όπως παρουσία εύφλεκτων υγρών, αερίων ή σκόνης. Τα ηλεκτρικά εργαλεία παράγουν σπινθήρες που μπορεί να προκαλέσουν ανάφλεξη της σκόνης ή των αναθυμιάσεων.
- γ. Όταν χρησιμοποιείτε ηλεκτρικό εργαλείο, κρατάτε τα παιδιά και άλλα άτομα μακριά. Παράγοντες που αποσπούν την προσοχή μπορεί να σας κάνουν να χάσετε τον έλεγχο.

2. Ασφαλής χρήση ηλεκτρικού ρεύματος

- α. Τα φως των ηλεκτρικών εργαλείων πρέπει να ταιριάζουν στην πρίζα. Δεν επιτρέπεται με κανέναν τρόπο η μετασκευή του φως. Μην χρησιμοποιείτε προσαρμοστικά φως με γειωμένα ηλεκτρικά εργαλεία. Τα φως που δεν έχουν υποστεί τροποποιήσεις και οι κατάλληλες πρίζες μειώνουν τον κίνδυνο ηλεκτροπληξίας.
- β. Αποφεύγετε την επαφή του σώματός σας με γειωμένες επιφάνειες, όπως σωλήνες, calorifères, κουζίνες και ψυγεία. Υπάρχει αυξημένος κίνδυνος ηλεκτροπληξίας αν το σώμα σας είναι γειωμένο.
- γ. Μην εκθέτετε τα ηλεκτρικά εργαλεία σε βροχή ή υγρασία. Η εισχώρηση νερού σε ηλεκτρικό εργαλείο αυξάνει τον κίνδυνο ηλεκτροπληξίας.
- δ. Μην κακομεταχειρίζεστε το καλώδιο.

Μη χρησιμοποιείτε ποτέ το καλώδιο για να μεταφέρετε το εργαλείο, να το τραβήξετε ή να το αποσυνδέσετε από την πρίζα. Κρατάτε το καλώδιο μακριά από θερμότητα, λάδια, αιχμηρά άκρα ή κινούμενα μέρη. Τυχόν χαλασμένα ή μπερδεμένα καλώδια αυξάνουν τον κίνδυνο ηλεκτροπληξίας.

- ε. Όταν χρησιμοποιείτε ηλεκτρικό εργαλείο σε εξωτερικούς χώρους, να χρησιμοποιείτε πάντοτε καλώδιο προέκτασης κατάλληλο για χρήση σε εξωτερικούς χώρους. Η χρήση καλωδίου κατάλληλου για εργασία σε εξωτερικούς χώρους μειώνει τον κίνδυνο ηλεκτροπληξίας.
- στ. Εάν είναι αναπόφευκτη η χρήση ενός ηλεκτρικού εργαλείου σε συνθήκες υγρασίας, χρησιμοποιήστε μια διάταξη προστασίας από ρεύμα διαρροής (RCD). Η χρήση μιας διάταξης RCD μειώνει τον κίνδυνο ηλεκτροπληξίας.

3. Προσωπική ασφάλεια

- α. Όταν χρησιμοποιείτε ηλεκτρικό εργαλείο, να είστε σε εγρήγορση, να συγκεντρώσετε στην εργασία που κάνετε και να επιστρατεύετε την κοινή λογική. Μη χρησιμοποιείτε ηλεκτρικό εργαλείο όταν είστε κουρασμένος/η ή υπό την επήρεια ναρκωτικών, οινοπνεύματος ή φαρμακευτικής αγωγής. Μια στιγμή απροσεξίας κατά τη χρήση ηλεκτρικών εργαλείων μπορεί να προκαλέσει σοβαρό τραυματισμό.
- β. Να χρησιμοποιείτε ατομικό εξοπλισμό προστασίας. Πάντα φοράτε προστασία ματιών. Ο εξοπλισμός προστασίας, όπως μάσκα κατά της σκόνης, αντιολισθητικά παπούτσια ασφαλείας, κράνος ή προστασία ακοής, όταν χρησιμοποιείται για τις κατάλληλες συνθήκες, θα μειώσει τους τραυματισμούς.
- γ. Αποτρέψτε την ακούσια ενεργοποίηση. Βεβαιωθείτε ότι ο διακόπτης λειτουργίας βρίσκεται στη θέση απενεργοποίησης πριν συνδέσετε το εργαλείο στην πηγή ρεύματος και/ή τοποθετήσετε το πακέτο μπαταρίας, πριν πάρετε ή μεταφέρετε το εργαλείο. Η μεταφορά ηλεκτρικών εργαλείων με το δάχτυλο πάνω στο διακόπτη ή η σύνδεση στο ρεύμα ηλεκτρικών εργαλείων με το διακόπτη στη θέση ενεργοποίησης, ενέχει κινδύνους πρόκλησης ατυχημάτων.
- δ. Πριν θέσετε το ηλεκτρικό εργαλείο σε λειτουργία, αφαιρέστε τυχόν εργαλεία ή κλειδιά ρύθμισης. Αν παραμείνει μηχανικό κλειδί ή κλειδί ρύθμισης συνδεδεμένο σε περιστρεφόμενο εξάρτημα του ηλεκτρικού εργαλείου, αυτό μπορεί να έχει ως αποτέλεσμα τραυματισμό ατόμων.
- ε. Μην τεντώνετε. Διατηρείτε πάντα σταθερή στήριξη στα πόδια σας και καλή ισορροπία. Έτσι μπορείτε να έχετε καλύτερο έλεγχο του ηλεκτρικού εργαλείου σε μη αναμενόμενες καταστάσεις.
- στ. Φοράτε κατάλληλη ενδυμασία εργασίας.

Μη φοράτε ρούχα με χαλαρή εφαρμογή ούτε κοσμήματα. Κρατάτε τα μαλλιά, τα ρούχα και τα γάντια σας μακριά από κινούμενα μέρη. Τα χαλαρά ρούχα, τα κοσμήματα και τα μακριά μαλλιά μπορούν να πιαστούν σε κινούμενα μέρη.

ζ. Αν παρέχονται διατάξεις για τη σύνδεση συστημάτων απομάκρυνσης και συλλογής της σκόνης, βεβαιωθείτε ότι αυτές είναι συνδεδεμένες και χρησιμοποιούνται κατάλληλα. Η χρήση διατάξεων συλλογής της σκόνης μπορεί να μειώσει τους κινδύνους που προέρχονται από τη σκόνη.

4. Χρήση και φροντίδα ηλεκτρικών εργαλείων

α. Μην υπερφορτώνετε το ηλεκτρικό εργαλείο.

Χρησιμοποιείτε το σωστό ηλεκτρικό εργαλείο για την εκάστοτε εφαρμογή. Το σωστό ηλεκτρικό εργαλείο θα εκτελέσει την εργασία καλύτερα και ασφαλέστερα, με την ένταση χρήσης για την οποία σχεδιάστηκε.

β. Μη χρησιμοποιήσετε ηλεκτρικό εργαλείο αν ο διακόπτης του δεν μπορεί να το ενεργοποιεί και απενεργοποιεί.

Ένα ηλεκτρικό εργαλείο του οποίου η λειτουργία δεν μπορεί να ελεγχθεί με το διακόπτη είναι επικίνδυνο και πρέπει να επισκευαστεί.

γ. Αποσυνδέστε το φως από την πηγή ρεύματος και/ή το πακέτο μπαταρίας από το ηλεκτρικό εργαλείο, πριν διεξάγετε οποιαδήποτε ρύθμιση, αλλαγή εξαρτήματος ή όταν πρόκειται να αποθηκεύσετε το ηλεκτρικό εργαλείο. Έτοιμα προληπτικά μέτρα ασφαλείας μειώνουν το κίνδυνο αθέλητης εκκίνησης του ηλεκτρικού εργαλείου.

δ. Να φυλάσσετε μακριά από παιδιά τα ηλεκτρικά εργαλεία που δεν χρησιμοποιείτε. Μην αφήνετε να χρησιμοποιήσουν ηλεκτρικό εργαλείο άτομα που δεν είναι εξοικειωμένα με αυτό ή άτομα που δεν έχουν διαβάσει αυτές τις οδηγίες χρήσης. Τα ηλεκτρικά εργαλεία είναι επικίνδυνα στα χέρια μη εκπαιδευμένων χρηστών.

ε. Να συντηρείτε τα ηλεκτρικά εργαλεία. Ελέγχετε για προβλήματα ευθυγράμμισης ή μάγκωμα των κινούμενων εξαρτημάτων, θραύση εξαρτημάτων, καθώς και για οποιοδήποτε άλλο πρόβλημα μπορεί να επηρεάσει τη λειτουργία των ηλεκτρικών εργαλείων. Αν το εργαλείο έχει υποστεί ζημιά, φροντίστε να επισκευαστεί πριν το χρησιμοποιήσετε. Η ανεπαρκής συντήρηση των ηλεκτρικών εργαλείων αποτελεί αιτία πολλών ατυχημάτων.

στ. Διατηρείτε τα κοπτικά εργαλεία κοφτερά και καθαρά.

Τα κοπτικά εργαλεία με αιχμηρά κοπτικά άκρα που συντηρούνται σωστά έχουν λιγότερες πιθανότητες να μπλοκάρουν και ελέγχονται ευκολότερα.

ζ. Να χρησιμοποιείτε το ηλεκτρικό εργαλείο, τα αξεσουάρ και τις μύτες των εργαλείων κλπ.

σύμφωνα με τις παρούσες οδηγίες, λαμβάνοντας υπόψη σας τις συνθήκες εργασίας και την εργασία που θέλετε να εκτελέσετε. Η χρήση του ηλεκτρικού εργαλείου για εργασίες διαφορετικές από τις προβλεπόμενες θα μπορούσε να οδηγήσει σε επικίνδυνη κατάσταση.

5. Σέρβις

α. Το σέρβις του ηλεκτρικού σας εργαλείου πρέπει να αναλαμβάνει έμπειρος τεχνικός που χρησιμοποιεί μόνο γνήσια ανταλλακτικά. Έτσι θα εξασφαλίσετε τη διατήρηση της ασφάλειας του ηλεκτρικού εργαλείου.

Συμπληρωματικές προειδοποιήσεις ασφαλείας για ηλεκτρικά εργαλεία



Προειδοποίηση! Συμπληρωματικές προειδοποιήσεις ασφαλείας για σέγες και σπαθοσέγες

- ◆ Κρατάτε το ηλεκτρικό εργαλείο από μονωμένες επιφάνειες λαβής, όταν εκτελείτε μια εργασία όπου το αξεσουάρ κοπής μπορεί να έρθει σε επαφή με αθέατα καλώδια ή με το ίδιο του το καλώδιο. Αν αξεσουάρ κοπής έρθει σε επαφή με καλώδιο υπό τάση μπορεί να τεθούν υπό ηλεκτρική τάση και τα εκτεθειμένα μεταλλικά μέρη του ηλεκτρικού εργαλείου και να προκληθεί ηλεκτροπληξία στο χειριστή.
- ◆ Χρησιμοποιείτε σφιγκτήρες ή άλλο πρακτικό μέσο για να στερεώνετε και να στηρίζετε το προς επεξεργασία αντικείμενο σε σταθερό υπόβαθρο. Αν κρατάτε το τεμάχιο εργασίας με το χέρι σας ή κόντρα στο σώμα σας, αυτό δεν είναι σταθερό και μπορεί να προκληθεί απώλεια ελέγχου.
- ◆ Μην πλησιάζετε τα χέρια σας στην περιοχή κοπής. Ποτέ μην πλησιάζετε τα χέρια σας κάτω από το υπό επεξεργασία αντικείμενο για οποιοδήποτε λόγο. Μην πλησιάζετε τα δάχτυλα ή τον αντίχειρά σας κοντά στην παλινδρομικά κινούμενη λάμα και το σφιγκτήρα της λάμας. Μη σταθεροποιείτε το πριόνι κρατώντας το από το πέλδιλο.
- ◆ Διατηρείτε τις λάμες αιχμηρές. Οι λάμες που είναι στομωμένες ή έχουν ζημίες μπορεί να προκαλέσουν παρέκκλιση του πριονιού ή διακοπή της λειτουργίας του υπό πίεση. Χρησιμοποιείτε πάντα τον κατάλληλο τύπο πριονόλαμας ανάλογα με το υλικό του προς επεξεργασία αντικείμενου και τον τύπο κοπής.
- ◆ Όταν κόβετε σωλήνες ή αγωγούς βεβαιωθείτε ότι δεν περιέχουν νερό, ηλεκτρικές καλωδιώσεις, κ.τ.λ.
- ◆ Μην αγγίζετε το προς επεξεργασία αντικείμενο ή τη λάμα αμέσως μετά τη χρήση του εργαλείου. Μπορούν να αποκτήσουν υψηλή θερμοκρασία.

- ◆ Προσέχετε τους κρυφούς κινδύνους και, πριν από την κοπή τοίχων, δαπέδων ή ταβανιών, ελέγχετε τη θέση καλωδίων και σωληνών.

- ◆ Η λάμα συνεχίζει να κινείται και μετά την απελευθέρωση του διακόπτη.

Απενεργοποιείτε πάντα το εργαλείο και περιμένετε να σταματήσει εντελώς η τριονόλαμα, προτού ακουμπήσετε κάτω το εργαλείο.

Προειδοποίηση! Η επαφή ή η εισπνοή της σκόνης που δημιουργούν οι εφαρμογές κοπής μπορεί να επιφέρουν κίνδυνο για την υγεία του χειριστή και των ατόμων που ενδεχομένως παρευρίσκονται. Φοράτε μάσκα σκόνης ειδικά σχεδιασμένη για προστασία από τη σκόνη και τις αναθυμιάσεις και βεβαιωθείτε ότι τα άτομα που βρίσκονται ή εισέρχονται στο χώρο εργασίας είναι επίσης προστατευμένα.

- ◆ Η προβλεπόμενη χρήση περιγράφεται στο παρόν εγχειρίδιο οδηγιών. Η χρήση οποιουδήποτε αξεσουάρ ή προσαρτήματος ή η εκτέλεση με αυτό το εργαλείο οποιασδήποτε εργασίας διαφορετικής από αυτές που συστήνονται στο παρόν εγχειρίδιο οδηγιών, ενδέχεται να εγκυμονεί κίνδυνο σωματικής βλάβης και/ή υλικών ζημιών.

Ασφάλεια τρίτων

- ◆ Αυτό το εργαλείο δεν προορίζεται για χρήση από άτομα (στα οποία περιλαμβάνονται και τα παιδιά) με μειωμένες φυσικές, αντιληπτικές ή διανοητικές ικανότητες ή άτομα χωρίς εμπειρία και γνώσεις, παρά μόνο εφόσον επιτηρούνται ή τους έχουν δοθεί οδηγίες σχετικά με τη χρήση του εργαλείου από άτομο υπεύθυνο για την ασφάλειά τους.
- ◆ Τα παιδιά πρέπει να επιτηρούνται για να διασφαλίζεται ότι δεν παίζουν με τη συσκευή.

Υπολειπόμενοι κίνδυνοι

Κατά τη χρήση του εργαλείου μπορεί να δημιουργηθούν επιπρόσθετοι υπολειπόμενοι κίνδυνοι, οι οποίοι ενδέχεται να μη συμπεριλαμβάνονται στις προειδοποιήσεις ασφαλείας που εσωκλείονται. Αυτοί οι κίνδυνοι μπορεί να προκληθούν από κακή χρήση, παρατεταμένη χρήση κλπ.

Παρά την εφαρμογή των σχετικών κανονισμών ασφαλείας και τη χρήση διατάξεων ασφαλείας, ορισμένοι υπολειπόμενοι κίνδυνοι δεν είναι δυνατό να αποφευχθούν. Σ' αυτούς περιλαμβάνονται:

- ◆ Τραυματισμοί από επαφή με περιστρεφόμενα/κινούμενα μέρη.
- ◆ Τραυματισμοί από αλλαγή οποιουδήποτε εξαρτημάτων, λεπίδων ή αξεσουάρ.
- ◆ Σωματικές βλάβες από παρατεταμένη χρήση του εργαλείου. Όταν χρησιμοποιείτε οποιοδήποτε εργαλείο για παρατεταμένα χρονικά διαστήματα, μην παραλείπετε με κανένα τρόπο να κάνετε τακτικά διαλείμματα.
- ◆ Βλάβη της ακοής.

- ◆ Κίνδυνοι στην υγεία που προκαλούνται από την εισπνοή σκόνης, όταν χρησιμοποιείτε το εργαλείο (παράδειγμα: όταν επεξεργάζεστε ξύλο, ειδικά δρυ, οξιά και MDF.)

Κραδασμοί

Η δηλωμένη τιμή εκπομπής κραδασμών που αναφέρεται στα τεχνικά χαρακτηριστικά και τη δήλωση συμμόρφωσης έχει μετρηθεί σύμφωνα με τυποποιημένη μέθοδο δοκιμής που παρέχεται από το πρότυπο EN 60745 και μπορεί να χρησιμοποιηθεί για τη σύγκριση ενός εργαλείου με ένα άλλο. Η δηλωμένη τιμή εκπομπής κραδασμών μπορεί επίσης να χρησιμοποιηθεί σε έναν προκαταρκτικό προσδιορισμό της έκθεσης σε κραδασμούς.

Προειδοποίηση! Η τιμή εκπομπής κραδασμών κατά την πραγματική χρήση του ηλεκτρικού εργαλείου μπορεί να διαφέρει από τη δηλωμένη τιμή, ανάλογα με τον τρόπο που χρησιμοποιείται το εργαλείο. Το επίπεδο κραδασμών μπορεί να αυξηθεί πάνω από το επίπεδο που έχει δηλωθεί.

Κατά τον προσδιορισμό της έκθεσης σε κραδασμούς για τον καθορισμό των απαιτούμενων μέτρων ασφαλείας σύμφωνα με την οδηγία 2002/44/ΕΚ για την προστασία προσώπων που χρησιμοποιούν συχνά ηλεκτρικά εργαλεία στην εργασία τους, μια προσεγγιστική εκτίμηση της έκθεσης σε κραδασμούς πρέπει να λαμβάνει υπόψη τις πραγματικές συνθήκες χρήσης και τον τρόπο χρήσης του εργαλείου, συμπεριλαμβανομένων και όλων των επιμέρους τμημάτων του κύκλου εργασίας, όπως πόσες φορές τέθηκε το εργαλείο εκτός λειτουργίας, πότε είναι σε λειτουργία χωρίς φορτίο επιπλέον του χρόνου πίεσης της σκανδάλης.

Ετικέτες πάνω στο εργαλείο

Το εργαλείο φέρει τα παρακάτω προειδοποιητικά σύμβολα μαζί με τον κωδικό ημερομηνίας:



Προειδοποίηση! Για να μειωθεί ο κίνδυνος τραυματισμού, ο χρήστης πρέπει να διαβάσει το εγχειρίδιο οδηγιών.

Ασφαλής χρήση ηλεκτρικού ρεύματος



Αυτό το εργαλείο φέρει διπλή μόνωση. Επομένως, δεν απαιτείται καλώδιο γείωσης. Ελέγχετε πάντα ότι η παροχή ρεύματος αντιστοιχεί στην τάση που αναφέρεται στην πινακίδα στοιχείων.

- ◆ Αν το καλώδιο ρεύματος έχει υποστεί φθορά, πρέπει να αντικατασταθεί από τον κατασκευαστή ή από ένα εξουσιοδοτημένο κέντρο επισκευών της Stanley Fat Max, ώστε να μην αποτελέσει κίνδυνο.

Χαρακτηριστικά

Αυτό το εργαλείο διαθέτει μερικά από ή όλα τα παρακάτω χαρακτηριστικά.

1. Διακόπτης σκανδάλης ρύθμισης ταχύτητας
2. Κουμπί ασφάλισης σε λειτουργία
3. Μοχλός ασφάλισης πριονόλαμας
4. Σφιγκτήρας πριονόλαμας
5. Πλάκα πέδιλου
6. Μοχλός γωνίας λοξής κοπής πέδιλου
7. Μοχλός λειτουργίας κοπής
8. Χιτώνιο πέδιλου

Συναρμολόγηση

Προειδοποίηση! Πριν από τη συναρμολόγηση, αφαιρέστε τη μπαταρία από το εργαλείο και βεβαιωθείτε ότι η πριονόλαμα έχει σταματήσει να κινείται. Οι πριονόλαμες μετά από χρήση μπορεί να είναι ζεστές.

Τοποθέτηση και αφαίρεση της πριονόλαμας (εικ. Α)

- ◆ Κρατήστε την πριονόλαμα (11) με τα δόντια στραμμένα προς τα εμπρός.
- ◆ Σηκώστε προς τα επάνω το μοχλό ασφάλισης της πριονόλαμας (3).
- ◆ Τοποθετήστε το στέλεχος της λάμας πλήρως μέσα στο σφιγκτήρα της λάμας (4) μέχρι το τέρμα της διαδρομής του.
- ◆ Ελευθερώστε το μοχλό.
- ◆ Για να αφαιρέσετε την πριονόλαμα (11), ανασηκώστε το μοχλό ασφάλισης της πριονόλαμας (3) προς τα επάνω και τραβήξτε τη λάμα έξω.

Τοποθέτηση και αφαίρεση του χιτωνίου πέδιλου (εικ. Β)

Το χιτώνιο πέδιλου κατά του γδαρσίματος (9) πρέπει να χρησιμοποιείται κατά την κοπή επιφανειών που γδερνονται εύκολα, όπως λαμιναρισμένα υλικά, καπλαμάς ή βαφή. Μπορεί επίσης να χρησιμοποιηθεί για την προστασία της επιφάνειας του πέδιλου κατά τη μεταφορά και την αποθήκευση.

Για τοποθέτηση του χιτωνίου πέδιλου:

- ◆ τοποθετήστε το μπροστινό μέρος της πλάκας πέδιλου (5) μέσα στο μπροστινό τμήμα του χιτωνίου πέδιλου (9).
- ◆ Χαμηλώστε το εργαλείο μέσα στο χιτώνιο πέδιλου (9). Το χιτώνιο πέδιλου θα κουμπώσει με ασφάλεια στο πίσω τμήμα του χιτωνίου πέδιλου.

Για αφαίρεση του χιτωνίου πέδιλου:

- ◆ Πιάστε το χιτώνιο πέδιλου από κάτω στις δύο πίσω γλωπίδες και τραβήξτε προς τα κάτω να απομακρυνθεί από την πλάκα πέδιλου (5).

Χρήση

Προειδοποίηση! Αφήστε το εργαλείο να λειτουργήσει με το δικό του ρυθμό. Μην το υπερφορτώνετε.

Προειδοποίηση! Μη χρησιμοποιείτε ποτέ τη σέγα όταν το πέδιλο έχει χαλαρώσει ή έχει αφαιρεθεί.

Ενεργοποίηση και απενεργοποίηση (εικ. C)

- ◆ Για να ενεργοποιήσετε το εργαλείο, πιέστε το διακόπτη ρύθμισης ταχύτητας (1). Η ταχύτητα του εργαλείου εξαρτάται από το πόσο πιέζετε το διακόπτη.
- ◆ Για συνεχή λειτουργία, πατήστε το κουμπί ασφάλισης σε λειτουργία (2) και πιέστε το διακόπτη ρύθμισης ταχύτητας. Η επιλογή αυτή είναι διαθέσιμη μόνο με τη μέγιστη ταχύτητα.
- ◆ Για να απενεργοποιήσετε το εργαλείο, απελευθερώστε το διακόπτη ρύθμισης ταχύτητας.
- ◆ Για να απενεργοποιήσετε το εργαλείο, όταν βρίσκεται σε συνεχόμενη λειτουργία, πατήστε το διακόπτη ρύθμισης ταχύτητας ακόμη μία φορά και αφήστε τον ελεύθερο.

Ρύθμιση ταχύτητας

- ◆ Χρησιμοποιείτε μεγάλη ταχύτητα για ξύλο, μέτρια ταχύτητα για αλουμίνιο και PVC και χαμηλή ταχύτητα για μέταλλα διαφορετικά από το αλουμίνιο.

Λοξή κοπή (εικ. D & E)

Η πλάκα πέδιλου μπορεί να ρυθμιστεί για δεξιά ή αριστερή λοξή κοπή σε γωνία μέχρι 45°.

Για να ρυθμίσετε τη γωνία λοξής κοπής:

- ◆ Τραβήξτε το μοχλό γωνίας λοξής κοπής πέδιλου (6) έξω και μακριά από τη σέγα για να απασφαλίσετε την πλάκα πέδιλου (5).
- ◆ Σπρώξτε την πλάκα πέδιλου εμπρός για να την απελευθερώσετε από τη θέση στοπ των 0°.
- ◆ Ρυθμίστε την πλάκα πέδιλου στην επιθυμητή γωνία λοξής κοπής. Χρησιμοποιήστε ένα μοιρογνωμόνιο για να επιβεβαιώσετε την ακρίβεια της γωνίας.
- ◆ Σπρώξτε το μοχλό γωνίας λοξής κοπής πέδιλου (6) πίσω προς το εργαλείο μέχρι να ασφαλίσει η πλάκα πέδιλου (5).

Σημείωση: Το πέδιλο μπορεί να ρυθμιστεί για λοξή κοπή προς τα αριστερά ή προς τα δεξιά και διαθέτει σημεία συγκράτησης στις 15°, 30° και 45°.

Για να ρυθμίσετε πάλι το πέδιλο για ευθείες τομές:

- ◆ Τραβήξτε το μοχλό γωνίας λοξής κοπής πέδιλου (6) έξω και μακριά από τη σέγα για να απασφαλίσετε την πλάκα πέδιλου (5).
- ◆ Περιστρέψτε το πέδιλο σε μια γωνία περίπου 0° και στη συνέχεια τραβήξτε το πέδιλο προς τα πίσω για να εμπλακεί στη θέση στοπ 0°.

- ◆ Σπρώξτε το μοχλό γωνίας λοξής κοπής πέδιλου (6) πίσω προς το εργαλείο μέχρι να ασφαλίσει η πλάκα πέδιλου (5).

Λειτουργία κοπής (εικ.F)

Η σέγα αυτή διαθέτει τέσσερις κινήσεις κοπής, τρεις ελλειψοειδείς και μία ευθεία. Η ελλειψοειδής κίνηση χαρακτηρίζεται από πιο επιθετική κίνηση της λεπίδας και έχει σχεδιαστεί για κοπή σε μαλακά υλικά όπως ξύλο ή πλαστικό. Η ελλειψοειδής κίνηση προσφέρει ταχύτερη κοπή, αλλά με λιγότερο λείο αποτέλεσμα κοπής του υλικού. Στην παλινδρομική κίνηση η λάμα κινείται προς τα εμπρός κατά τη διαδρομή κοπής επιπρόσθετα της κίνησης πάνω και κάτω.

Προειδοποίηση! Μέταλλα και σκληρά ξύλα δεν πρέπει ποτέ να κόβονται με ελλειψοειδή κίνηση κοπής.

- ◆ Μετακινήστε το μοχλό λειτουργίας κοπής (8) μεταξύ των τεσσάρων θέσεων κοπής: 0, 1, 2 και 3.
- ◆ Η θέση 0 αντιστοιχεί σε ευθεία κίνηση κοπής.
- ◆ Οι θέσεις 1, 2 και 3 αντιστοιχούν σε ελλειψοειδή κίνηση κοπής.
- ◆ Η επιθετικότητα της κοπής αυξάνει καθώς αυξάνεται η ρύθμιση του μοχλού από ένα έως τρία, και το τρία αντιστοιχεί στην πιο επιθετική κοπή.

Πριόνισμα

- ◆ Πάντα να κρατάτε το εργαλείο και με τα δύο χέρια.
- ◆ Αφήστε τη λάμα να κινηθεί ελεύθερα για λίγα δευτερόλεπτα, προτού ξεκινήσετε την κοπή.
- ◆ Κατά την εκτέλεση της κοπής, εφαρμόζετε μόνο μικρή πίεση στο εργαλείο.
- ◆ Εάν είναι δυνατό, εργαστείτε με την πλάκα πέδιλου (5) να πιέζεται επάνω στο προς επεξεργασία αντικείμενο. Κάτι τέτοιο βελτιώνει τον έλεγχο του εργαλείου και μειώνει τους κραδασμούς, ενώ προστατεύει την πριονόλαμα από ζημιές.

Συμβουλές για άριστη χρήση

Γενικά

- ◆ Χρησιμοποιείτε μεγάλη ταχύτητα για ξύλο, μέτρια ταχύτητα για αλουμίνιο και PVC και χαμηλή ταχύτητα για μέταλλα διαφορετικά από το αλουμίνιο.

Πριόνισμα λαμιναρισμένων υλικών

Καθώς η πριονόλαμα κόβει κατά τη διαδρομή προς τα πάνω, μπορεί να δημιουργηθούν σκληρές από σχίσιμο στην επιφάνεια που είναι πιο κοντά στην πλάκα πέδιλου.

- ◆ Χρησιμοποιείτε μια πριονόλαμα με λεπτά δόντια.
- ◆ Πριονίζετε από την πίσω επιφάνεια του προς επεξεργασία αντικείμενου.

- ◆ Για να ελαχιστοποιήσετε τη δημιουργία σκλήθρων στη γραμμή κοπής, στερεώστε με το σφιγκτήρα ένα κομμάτι άχρηστο ξύλο ή κόντρα πλακέ και στις δύο πλευρές του προς επεξεργασία αντικείμενου και πριονίστε ανάμεσα σε αυτό το «σάντουιτς».

Πριόνισμα μετάλλου

Να ξέρετε ότι το πριόνισμα μετάλλου παίρνει πολύ παραπάνω χρόνο από το πριόνισμα ξύλου.

- ◆ Χρησιμοποιείτε μια πριονόλαμα κατάλληλη για το πριόνισμα μετάλλου. Χρησιμοποιείτε μια πριονόλαμα με λεπτά δόντια για σιδηρούχα μέταλλα και μια πιο χοντρή πριονόλαμα για μη σιδηρούχα μέταλλα.
- ◆ Όταν κόβετε λεπτά μεταλλικά ελάσματα, στερεώστε με το σφιγκτήρα ένα κομμάτι άχρηστο ξύλο στην πίσω επιφάνεια του προς επεξεργασία αντικείμενου και κόψτε ανάμεσα σε αυτό το «σάντουιτς».
- ◆ Απλώστε ένα λεπτό στρώμα λαδιού κατά μήκος της γραμμής που σκοπεύετε να κόψετε.

Αξεσουάρ

Η απόδοση του εργαλείου σας εξαρτάται από το αξεσουάρ που χρησιμοποιείτε. Τα αξεσουάρ Stanley Fat Max έχουν κατασκευαστεί με προδιαγραφές υψηλής ποιότητας και είναι σχεδιασμένα για να ενισχύουν την απόδοση του εργαλείου σας. Χρησιμοποιώντας αυτά τα αξεσουάρ, θα εξασφαλίσετε την καλύτερη δυνατή απόδοση του εργαλείου σας. Το εργαλείο αυτό είναι συμβατό με τις πριονόλαμες με στέλεχος σχήματος U και T.

Συντήρηση

Αυτό το εργαλείο έχει σχεδιαστεί έτσι ώστε να λειτουργεί για μεγάλο χρονικό διάστημα με την ελάχιστη δυνατή συντήρηση. Η συνεχής ικανοποιητική λειτουργία εξαρτάται από τη σωστή φροντίδα και τον τακτικό καθαρισμό του εργαλείου.

Προειδοποίηση! Πριν από κάθε εργασία συντήρησης πρέπει να θέτετε το εργαλείο εκτός λειτουργίας και να το αποσυνδέετε από την πρίζα.

- ◆ Να καθαρίζετε τακτικά τις εγκοπές εξερισμού του εργαλείου και του φορητού με μια μαλακή βούρτσα ή με ένα στεγνό πανί.
- ◆ Να καθαρίζετε τακτικά το περίβλημα του μοτέρ με ένα υγρό πανί. Μην χρησιμοποιείτε υγρά καθαρισμού που χαράζουν ή καθαριστικά που περιέχουν διαλυτικά.
- ◆ Από καιρό σε καιρό λιπάνετε με μια σταγόνα λάδι τον αξονίσκο του ράουλου στήριξης της λάμας.

Αντικατάσταση του φιν ρευματοληψίας (M. Βρετ. & Ιρλανδία μόνο)

Αν χρειάζεται να τοποθετηθεί νέο φιν ρευματοληψίας:

- ◆ Απορρίψτε με ασφαλή τρόπο το παλιό φιν.
- ◆ Συνδέστε τον καφέ αγωγό στον ακροδέκτη φάσης του νέου φιν.

- ◆ Συνδέστε τον μπλε αγωγό στον ουδέτερο ακροδέκτη.

Προειδοποίηση! Δεν πρέπει να γίνει καμία σύνδεση στον ακροδέκτη γείωσης. Ακολουθήστε τις οδηγίες συναρμολόγησης που συνοδεύουν τα καλής ποιότητας φως. Συνιστώμενη ασφάλεια: 5 A.

Προστασία του περιβάλλοντος



Χωριστή συλλογή. Το προϊόν αυτό δεν πρέπει να απορρίπτεται μαζί με τα κανονικά οικιακά απορρίμματα.

Εάν κάποια μέρα διαπιστώσετε ότι το προϊόν σας Stanley Fat Max χρειάζεται αντικατάσταση ή ότι δεν το χρειάζεστε άλλο, μην το απορρίψετε μαζί με τα κοινά οικιακά απορρίμματα. Παραδώστε το προϊόν αυτό σε σημείο χωριστής συλλογής.



Η χωριστή συλλογή χρησιμοποιημένων προϊόντων και συσκευασιών επιτρέπει την ανακύκλωση και επαναχρησιμοποίηση των υλικών.

Η επαναχρησιμοποίηση των υλικών συντελεί στην αποτροπή της ρύπανσης του περιβάλλοντος και μειώνει την απαίτηση για πρώτες ύλες.

Οι τοπικοί κανονισμοί μπορεί να προβλέπουν τη χωριστή συλλογή ηλεκτρικών προϊόντων από τα νοικοκυριά σε δημοτικές θέσεις συγκέντρωσης απορριμμάτων ή από το κατάστημα όπου αγοράσατε ένα νέο προϊόν.

Η Stanley Europe δίνει τη δυνατότητα ανακύκλωσης των προϊόντων της Stanley Fat Max που έχουν συμπληρώσει τη διάρκεια ζωής τους. Για να αξιοποιήσετε αυτήν την υπηρεσία, επιστρέψτε το προϊόν σας σε οποιοδήποτε εξουσιοδοτημένο αντιπρόσωπο επισκευών που θα τα συλλέξει για λογαριασμό μας.

Ενημερωθείτε για το πλησιέστερο εξουσιοδοτημένο κέντρο επισκευών της περιοχής σας, επικοινωνώντας με τα γραφεία της Stanley Europe στη διεύθυνση που αναγράφεται στο εγχειρίδιο. Επίσης, μια λίστα με τα εξουσιοδοτημένα κέντρα επισκευών της Stanley Europe και πλήρεις λεπτομέρειες για τις υπηρεσίες που παρέχονται μετά την πώληση καθώς και στοιχεία επικοινωνίας υπάρχουν στο Διαδίκτυο, στη διεύθυνση: www.2helpU.com

Τεχνικά χαρακτηριστικά

		FME340 (Τύπος 2)
Τάση εισόδου	V_{ac}	230
Κατανάλωση ισχύος	W	710
Ταχύτητα χωρίς φορτίο	min^{-1}	0 - 3.200
Μήκος διαδρομής	mm	20
Μέγιστο βάθος κοπής		
Ξύλο	mm	85
Χάλυβας	mm	10
Αλουμίνιο	mm	15
Βάρος	kg	2,74

L_{pA} (ηχητική πίεση) 88,6 dB(A), Αβεβαιότητα (K) 3 dB(A)
L_{WA} (ηχητική Ισχύς) 99,6 dB(A), αβεβαιότητα (K) 3 dB(A)
Οι συνολικές τιμές κραδασμών (διανυσματικό άθροισμα τριών αξόνων) καθορίστηκαν σύμφωνα με το πρότυπο EN 60745:
Κοπή σανίδων ($a_{h,B}$) 6,2 m/s^2 , αβεβαιότητα (K) 1,5 m/s^2
Κοπή μεταλλικών ελασμάτων ($a_{h,M}$) 6,4 m/s^2 , αβεβαιότητα (K) 1,5 m/s^2

Δήλωση συμμόρφωσης EC**ΟΔΗΓΙΑ ΠΕΡΙ ΜΗΧΑΝΗΜΑΤΩΝ**

Σέγα FME340

Η Stanley Europe δηλώνει ότι αυτά τα προϊόντα που περιγράφονται στα «τεχνικά χαρακτηριστικά» συμμορφώνονται με:

2006/42/EK, EN 60745-1: 2009 + A1 2010,

EN 60745-2-11:2010

Αυτά τα προϊόντα συμμορφώνονται επίσης με την οδηγία 2004/108/EK (μέχρι 19/04/2016), 2014/30/EE (από 20/04/2016) και 2011/65/EE. Για περισσότερες πληροφορίες, παρακαλείστε να επικοινωνήσετε με την Stanley Europe στην παρακάτω διεύθυνση ή να ανατρέξετε στο πίσω μέρος του εγχειριδίου.

Ο κάτωθι υπογεγραμμένος είναι υπεύθυνος για την κατάρτιση του τεχνικού φακέλου και δηλώνει τα παρόντα εκ μέρους της Stanley Europe.

R. Laverick

Υπεύθυνος Σχεδιασμού

Stanley Fat Max Europe, 210 Bath Road, Slough,

Berkshire, SL1 3YD

United Kingdom

21/8/2015

Εγγύηση

Η Stanley Europe είναι σίγουρη για την ποιότητα των προϊόντων της και παρέχει μια εξαιρετική εγγύηση για τους επαγγελματίες χρήστες του προϊόντος. Αυτή η δήλωση εγγύησης είναι επιπρόσθετη στα και δεν επηρεάζει με κανένα τρόπο τα συμβατικά δικαιώματά σας ως ιδιώτη μη επαγγελματία χρήστη. Η εγγύηση ισχύει εντός της επικράτειας των χωρών μελών της Ευρωπαϊκής Ένωσης και της Ευρωπαϊκής Ζώνης Ελεύθερων Συναλλαγών.

ΠΛΗΡΗΣ ΕΓΓΥΗΣΗ ΕΝΟΣ ΕΤΟΥΣ

Εάν το προϊόν σας Stanley Fat Max καταστεί ελαττωματικό λόγω ελαττωματικών υλικών ή εργασίας εντός 12 μηνών από την ημερομηνία αγοράς, η Stanley Ευρώπη αναλαμβάνει να αντικαταστήσει όλα τα ελαττωματικά μέρη δωρεάν ή – κατά την κρίση μας – να αντικαταστήσει τη μονάδα χωρίς χρέωση, υπό τον όρο ότι:

- ◆ Το προϊόν δεν έχει υποστεί κακομεταχείριση και έχει χρησιμοποιηθεί σύμφωνα με το εγχειρίδιο οδηγιών.
- ◆ Το προϊόν έχει υποβληθεί σε φυσιολογική φθορά,
- ◆ Δεν έχει γίνει προσπάθεια επισκευής από μη εξουσιοδοτημένα άτομα,
- ◆ Επιδεικνύεται απόδειξη αγοράς.
- ◆ Το προϊόν Stanley Fat Max επιστρέφεται πλήρες, με όλα τα αυθεντικά εξαρτήματα

Εάν επιθυμείτε να γεγίρετε αξιώσεις, επικοινωνήστε με τον πωλητή σας ή ελέγξτε την τοποθεσία του πλησιέστερου εξουσιοδοτημένου κέντρου επισκευών Stanley Fat Max στον κατάλογο της Stanley Fat Max ή επικοινωνήστε με το τοπικό σας γραφείο της Stanley στη διεύθυνση που αναγράφεται στο παρόν εγχειρίδιο. Εναλλακτικά, μια λίστα με τα εξουσιοδοτημένα κέντρα επισκευών της Stanley Fat Max και πλήρεις λεπτομέρειες για τις υπηρεσίες που παρέχονται μετά την πώληση διατίθενται στο Διαδίκτυο, στη διεύθυνση: www.stanley.eu/3

België/Belgique	Stanley Fat Max E. Walschaertstraat 14-16 2800 Mechelen Belgium	De. Tel. +32 70 220 065 Fr. Tel. +32 70 220 066 Fax +32 15 473 799 www.stanleytools.eu Enduser.be@SBDinc.com
Danmark	Stanley Fat Max Farveland 1B 2600 Glostrup	Tel. 70 20 15 10 Fax 70 22 49 10 www.stanleyworks.dk
Deutschland	Stanley Fat Max Richard Klinger Str. 11, D - 65510 Idstein	Tel. 06126 21-1 Fax 06126 21-2770
Ελλάδα	Stanley Fat Max. Στράβωνος 7 & Λεωφ. Βουλιαγμένης 159 Γλυφάδα 166 74 - Αθήνα	Τηλ. +30 210 8981-616 Φαξ +30 210 8983-285 www.stanleyworks.gr
España	Stanley Fat Max. Parc de Negocis "Mas Blau" Edificio Muntadas, c/Bergadá, 1, Of. A6 08820 El Prat de Llobregat (Barcelona)	Tel. 934 797 400 Fax 934 797 419 respuesta.postventa@sbdinc.com www.stanleyworks.es
France	Stanley Fat Max 5 allée des Hêtres B.P. 30084 69579 Limonest Cédex	Tel. 04 72 20 39 20 Fax 04 72 20 39 00 www.stanleyouillage.fr
Helvetia	Stanley Fat Max In der Luberzen 40 8902 Urdorf	Tel. 01 730 67 47 Fax 01 730 70 67 www.stanleyworks.de
Italia	Stanley Fat Max EnergyPark-Building 03 sud, Via Monza 7/A 20871 Vimercate (MB)	Tel. 039-9590200 Fax 039-9590313 www.stanley.it
Nederland	Stanley Fat Max Joulehof 12, 4600 RG Bergen op Zoom	Tel. +31 164 283 065 Fax +31 164 283 200 Enduser.NL@SBDinc.com
Norge	Stanley Fat Max Postboks 4613, Nydalen 0405 Oslo	Tlf. 45 25 13 00 Fax 45 25 08 00
Österreich	Stanley Fat Max Oberlaaerstraße 248, A-1230 Wien	Tel. 01 66116-0 Fax 01 66116-614 www.stanleyworks.de
Portugal	Stanley Fat Max Centro de Escritórios de Sintra Avenida Almirante Gago Coutinho, 132/134, Edifício 142710-418 Sintra 2710-418 Lisboa	Tel. 214667500 Fax 214667575 resposta.posvenda@sbdinc.com
Suomi	Stanley Fat Max Tekniikkatie 12, 02150 Espoo	Puh. 010 400 430 Faksi 0800 411 340 www.stanleyworks.fi
Sverige	Stanley Fat Max Box 94, 431 22 Mölndal	Tel. 031-68 61 00 Fax 031-68 60 08
Türkiye	Stanley Fat Max KALE Hırdavat ve Makina A.Ş. Defterdar Mah. Savaklar Cad. No:15 Edirnekapı / Eyüp / İSTANBUL 34050	Puh. 0212 533 52 55 Faks 0212 533 10 05 www.stanleyworks.fi
United Kingdom	Stanley Fat Max 210 Bath Road Slough, Berkshire SL1 3YD	Tel. +44 (0)1753 511234 Fax +44 (0)1753 551155 www.stanleytools.co.uk
Middle East & Africa	Stanley Fat Max P.O.Box - 17164 Jebel Ali (South Zone), Dubai, UAE	Tel. +971 4 8127400 Fax +971 4 8127036 www.stanleyworks.ae